



INSTALLATION INSTRUCTIONS

MESH EC1 MODULAR BULL BAR

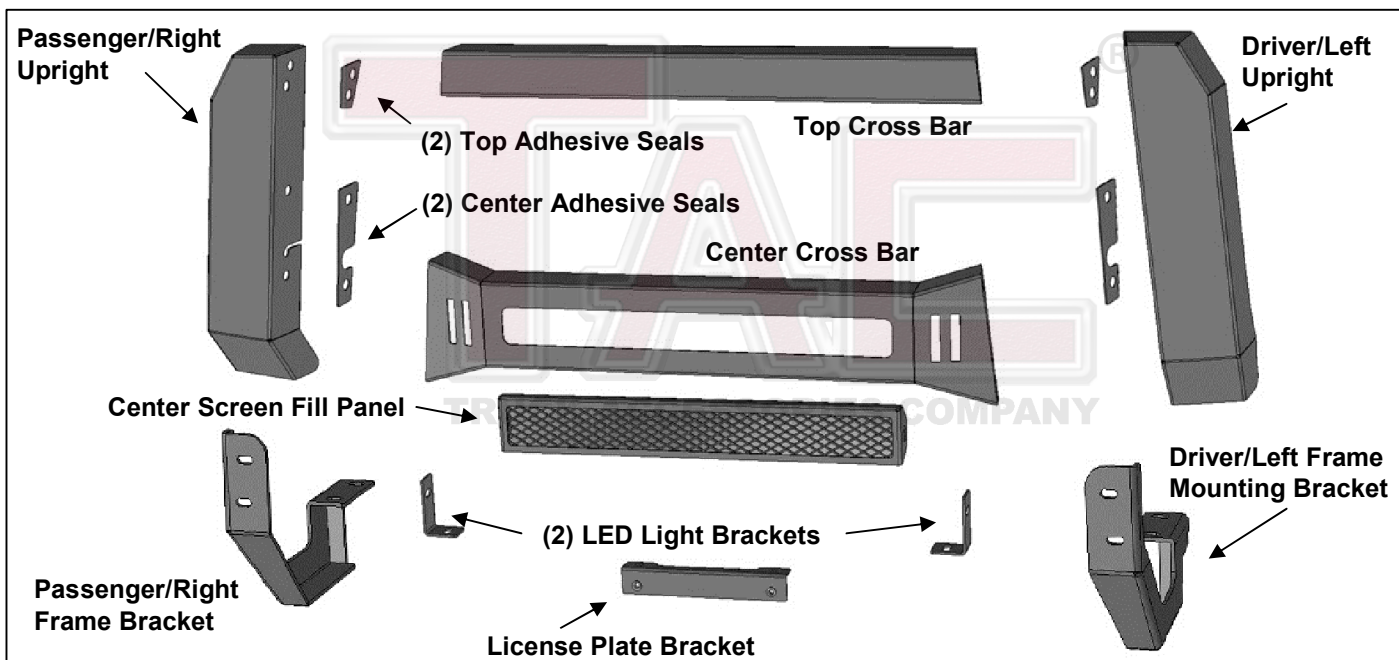
2005-2021 NISSAN FRONTIER / 2005-2007 NISSAN PATHFINDER /

2005-2015 NISSAN XTERRA

PART# EC1-N112TM

PARTS LIST:

1	Driver/Left Side Bull Bar Upright	12	10mm Lock Washer
1	Passenger/Right Side Bull Bar Upright	8	10-1.5mm Hex Nut
1	Top Cross Bar	16	10mm x 20mm x 2mm Flat Washer
1	Center Cross Bar	4	10mm x 30mm x 2.5mm Flat Washer
1	Driver/Left Side Frame Bracket	4	8-1.25mm x 25mm Hex Bolts
1	Passenger/Right Side Frame Bracket	2	8-1.25mm x 16mm Hex Bolts
1	Mesh Fill Panel	8	8mm x 24mm x 2mm Flat Washers
2	LED Light Brackets	4	8mm Lock Washers
1	License Plate Bracket	4	8mm Hex Nuts
2	Black Rubber Self-Adhesive Top Seal	2	6-1.0mm x 20mm Button Head Combo Bolts
2	Black Rubber Self-Adhesive Center Seal	2	6-1.0mm x 20mm Button Head Bolts
4	12-1.25mm x 35mm Special Fine Thread Hex Bolt	4	6mm x 18mm x 1.6mm Flat Washers
4	12mm x 37mm x 3mm Flat Washer	2	6mm Lock Washers
4	12mm Lock Washer	2	6mm Hex Nuts
12	10-1.5mm x 25mm Hex Bolt	1	4mm Allen Wrench



PROCEDURE:

REMOVE CONTENTS FROM BOX. VERIFY ALL PARTS ARE PRESENT. READ INSTRUCTIONS CAREFULLY BEFORE STARTING INSTALLATION. MINOR CUTTING MAY BE REQUIRED. ASSISTANCE IS RECOMMENDED. INSTALLATION MAY INTERFERE WITH FRONT SENSOR OPERATION.

1. Start installation from under the front of the vehicle. Remove the factory tow hook, (if equipped), located on the driver side, **(Figure 1)**. **NOTE:** The tow hooks will not be reinstalled.
2. Select the driver/left side Frame Mounting Bracket. It may be necessary to trim around the opening in the lower plastic splash guard to clear the Brackets, **(Figures 1—3)**. Remove cover and move it to a stable working area. Cut as little from the cover as possible to clear the Brackets and reinstall cover. Attach the Bracket to the tow hook location on the bottom of the frame channel with the included (2) 12mm x 35mm **Fine Thread Hex Bolts**, (2) 12mm Lock Washers and (2) 12mm Flat Washers, **(Figures 4—7)**. Do not tighten hardware at this time.
3. Repeat **Steps 1—2** for the passenger side Frame Mounting Bracket installation, **(Figure 7)**.
4. Select the driver/left Bull Bar Upright and the Top Cross Bar. Attach the Black Rubber Self-Adhesive Top Seal between the Upright and Top Cross Bar, **(Figure 8)**. Attach the Cross Bar to the Upright with

the included (2) 10mm x 25mm Hex Bolts, (4) 10mm x 20mm Flat Washers, (2) 10mm Lock Washers and (2) 10mm Hex Nuts, **(Figure 8)**. Do not fully tighten hardware.

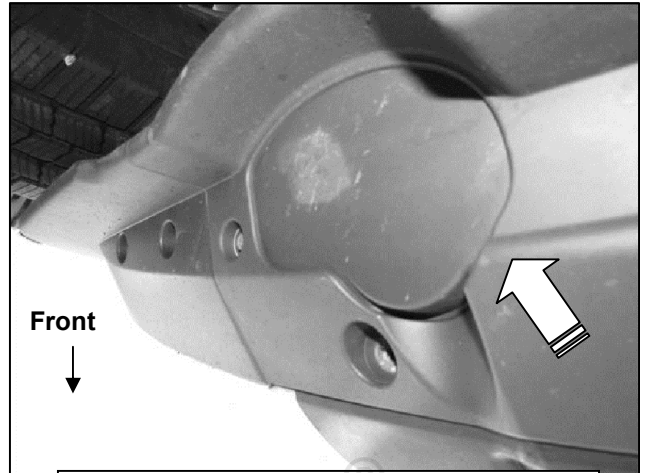
5. Select the Center Cross Bar. Attach the longer Black Rubber Self-Adhesive Center Seal between the Upright and the Center Cross Bar. Repeat **Step 4** to attach the Center Cross Bar to the Upright, **(Figure 8)**. Do not fully tighten hardware.
6. Repeat **Steps 4 & 5** to attach the passenger side Upright to the Top Cross Bar and Center Cross Bar. Place assembled Bull Bar face down on a clean flat surface and fully tighten Bull Bar assembly hardware only at this time.
7. Relocation of front license plate may be necessary.
 - a. Attach the License Plate Bracket to bottom of Center Cross Bar with (2) 6mm Button Head Bolts, (4) 6mm Flat Washers, (2) 6mm Lock Washers and (2) 6mm Hex Nuts, **(Figure 9)**.
 - b. Attach license plate to Bracket with (2) 6mm Button Head Combo Bolts, **(Figure 9)**.
8. LED light installation, (optional-light available separately).
 - a. Start at the driver/left side of the vehicle. Select (1) Light Bar Bracket. Attach the Bracket to the slot in the back of the Center Cross Bar with (1) 8mm x 25mm Hex Bolt, (2) 8mm Flat Washers, (1) 8mm Lock Washer and (1) 8mm Hex Nut, **(Figure 10)**. **NOTE:** Check for clearance between the Hex Bolt and the bottom of the Light. If necessary, insert the Hex Bolts down through the Brackets then through slots in the Cross Bar. Leave hardware loose at this time.
 - b. Repeat the previous **Step** to attach the passenger/right Light Bracket.
 - c. If needed, use the included (2) 8mm x 16mm Hex Bolts, (2) 8mm Lock Washers and (2) 8mm Flat Washers to attach the LED light bar to the Brackets, **(Figure 10)**.
 - d. Follow light manufacturer's instructions to properly wire the light bar to the electrical system.
 - e. Proceed to **Step 10**.
9. Center Screen Fill Panel Installation, (cannot be installed with LED light).
 - a. Select (1) "L" Light Bar Bracket. Attach the Bracket to the outside of the tab on the Center Screen Fill Panel with (1) 8mm x 25mm Hex Bolt, (2) 8mm Flat Washers, (1) 8mm Lock Washer and (1) 8mm Hex Nut, **(Figure 11)**. **NOTE:** Insert the Hex Bolt through the tab on the Panel and out through the Bracket. Repeat to attach the remaining Bracket to the other end of the Fill Panel. Leave hardware loose at this time.
 - b. Attach the Fill Panel with Brackets to the slots in the back of the Center Cross Bar with (2) 8mm x 25mm Hex Bolts, (4) 8mm 24mm Flat Washers, (2) 8mm Lock Washers and (2) 8mm Hex Nuts, **(Figure 11)**. **NOTE:** Insert the Hex Bolts up through the bottom of the Cross Bar and then through the Brackets.
 - c. Push the Fill Panel up tight against the inside of the opening and fully tighten hardware.
10. With assistance, hold the assembled Bull Bar up to the Brackets. Attach the Brackets to the (2) center holes in each Upright on the Bull Bar assembly with (4) 10mm x 25mm Hex Bolts, (4) 10mm Lock Washers and (4) 10mm x 30mm Large Flat Washers, **(Figure 12 & 13)**.
11. Level and adjust the Bull Bar properly and tighten all hardware.
12. Do periodic inspections to the installation to make sure that all hardware is secure and tight.

To protect your investment, wax this product after installing. Regular waxing is recommended to add a protective layer over the finish. Do not use any type of polish or wax that may contain abrasives that could damage the finish. Mild soap may be used to clean the Bull Bar.

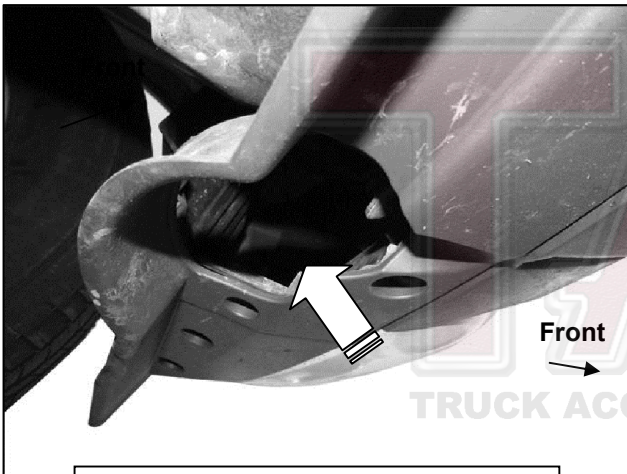
Driver/left Side Installation Pictured



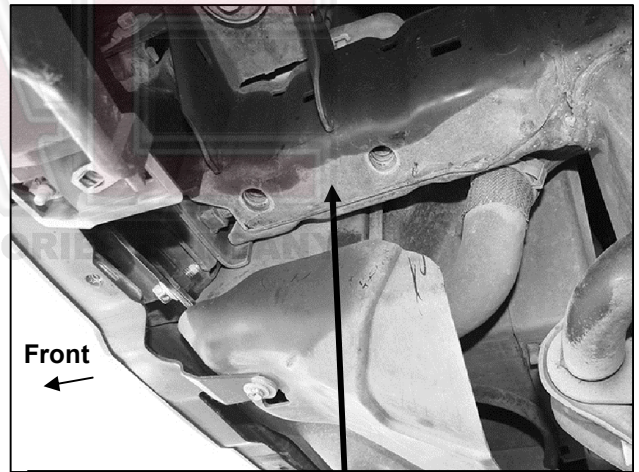
(Fig 1) Splash guard below bumper



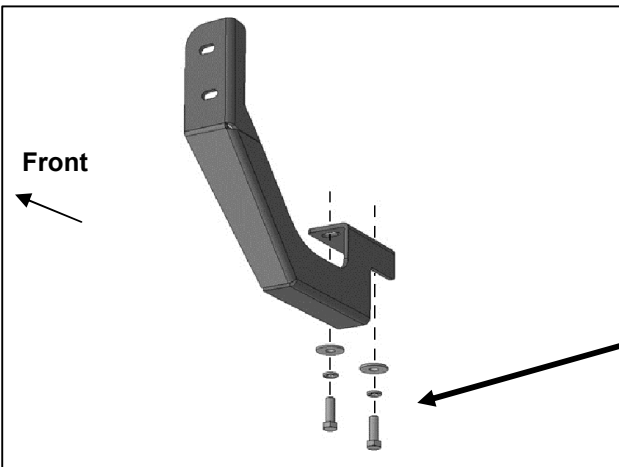
(Fig 2) Model w-o tow hook, remove cover



(Fig 3) Check for clearance between Bracket and opening in splash guard



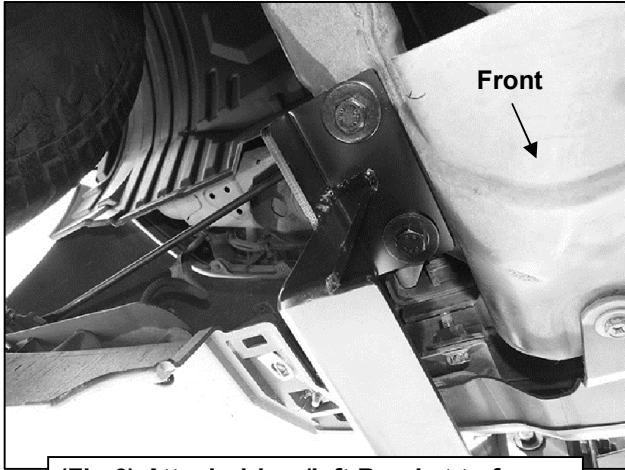
(Fig 4) Driver/left tow hook mounting location



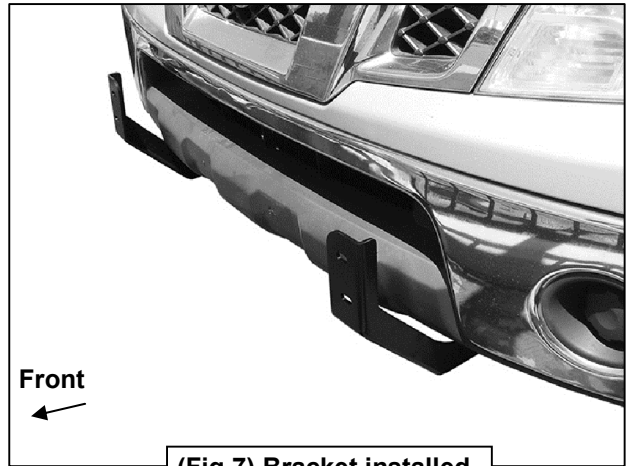
(Fig 5) Attach driver/left Frame Bracket to frame

- (2) 12-1.25mm x 55mm Fine Thread Hex Bolts
- (2) 12mm Lock Washers
- (2) 12mm Flat Washers

Driver/left Side Installation Pictured

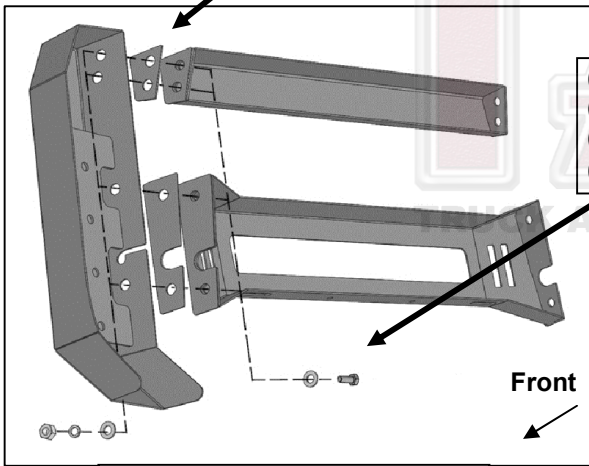


(Fig 6) Attach driver/left Bracket to frame



(Fig 7) Bracket installed

Insert Adhesive Backed Rubber Seals between Uprights and Top and Center Cross Bars

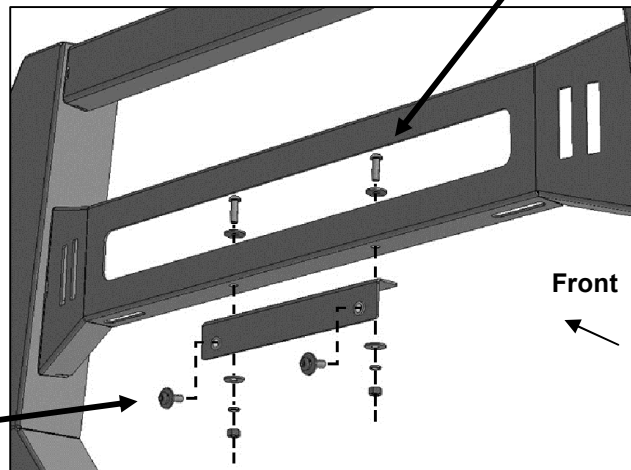


(Fig 8) Attach Top and Center Crossbars to Uprights

- (4) 10mm x 25mm Hex Bolts
- (8) 10mm x 20mm Flat Washers
- (4) 10mm Lock Washers
- (4) 10mm Hex Nuts

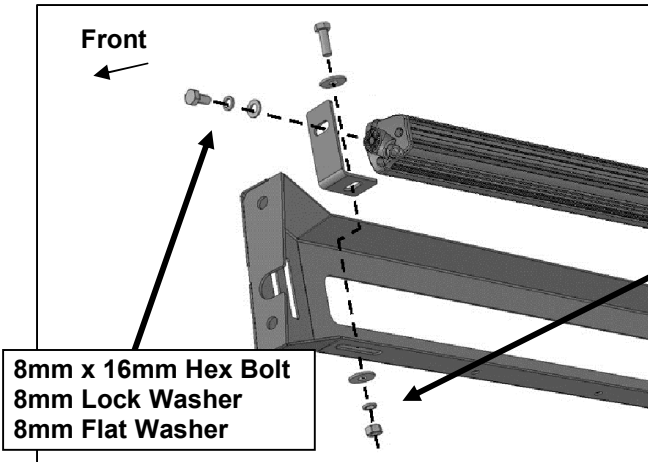
- (2) 6mm Button Head Bolts
- (4) 6mm Flat Washers
- (2) 6mm Lock Washers
- (2) 6mm Hex Nuts

- (2) 6mm Button Head Combo Bolts

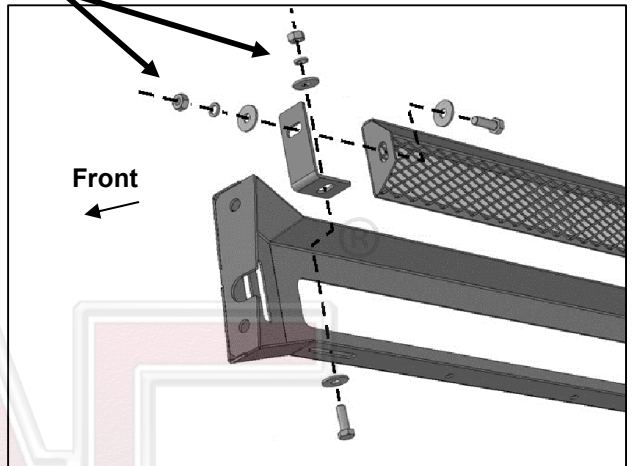


(Fig 9) Attach License Plate Bracket to bottom of Center Cross Bar

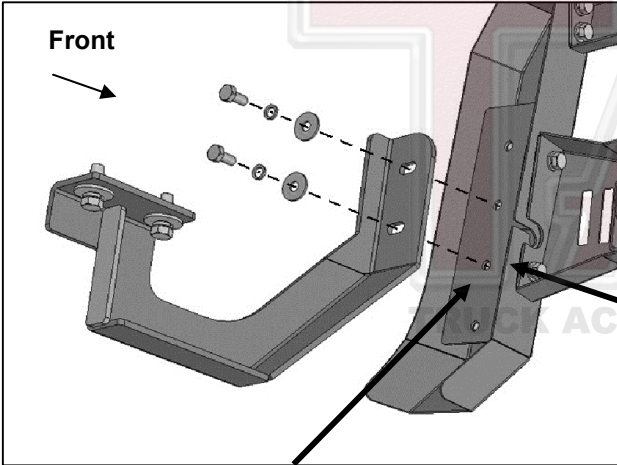
Driver/left Side Installation Pictured



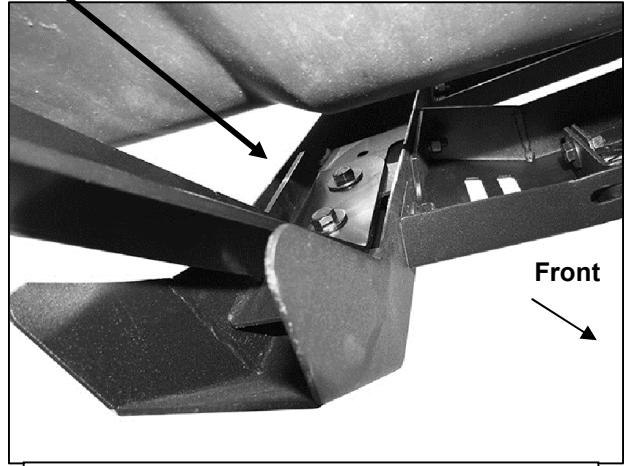
(Fig 10) Attach "L" Light Brackets to slots in bottom of Center Cross Bar. Attach LED bar light to Brackets. NOTE: LED light not included.



(Fig 11) Attach Center Fill Panel to "L" Brackets.



(Fig 12) Attach bracket to center holes in Bull Bar (driver/left side illustrated)



(Fig 13) Driver/left side complete installation

