



INSTALLATION INSTRUCTIONS

EC1 MODULAR BULL BAR W/LIGHT

07-18 CHEVY SILVERADO 1500 / 07-18 GMC SIERRA 1500

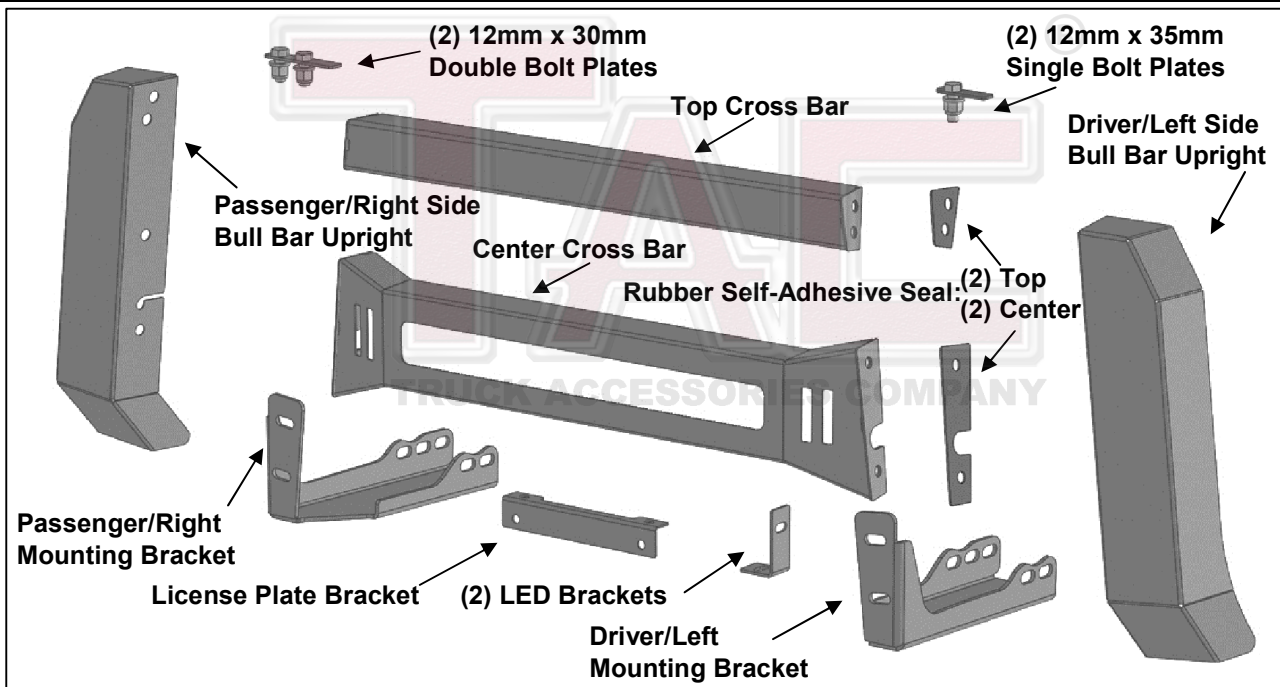
(INCL. 2019 SILVERADO 1500 LD / 2019 SIERRA 1500 LIMITEN)

PART# EC1-C106T

TRUCK ACCESSORIES COMPANY

PARTS LIST:

1	Driver/Left Side Bull Bar Upright	12	10-1.5mm x 25mm Hex Bolts
1	Passenger/Right Side Bull Bar Upright	4	10mm x 30mm x 2.5mm Flat Washers
1	Top Cross Bar	16	10mm x 20mm x 2mm Flat Washers
1	Center Cross Bar	12	10mm Lock Washers
1	Driver/Left Side Mounting Bracket	8	10mm Hex Nuts
1	Passenger/Right Side Mounting Bracket	2	8-1.25mm x 25mm Hex Bolts
1	LED Bar Style Light	2	8-1.25mm x 16mm Hex Bolts
2	LED Brackets	6	8mm x 24mm x 2mm Flat Washers
1	License Plate Bracket	4	8mm Lock Washers
2	Black Rubber Self-Adhesive Top Seal	2	8mm Hex Nuts
2	Black Rubber Self-Adhesive Center Seal	2	6-1.0mm x 20mm Button Head Combo Bolts
2	12-1.75mm x 30mm Double Bolt Plates	2	6-1.0mm x 20mm Button Head Bolts
2	12-1.75mm x 35mm Single Bolt Plates	4	6mm x 18mm x 1.6mm Flat Washers
6	12mm x 24mm x 2.5mm Flat Washers	2	6mm Lock Washers
6	12-1.75mm Nylon Lock Nuts	2	6mm Hex Nuts
		1	4mm Allen Wrench



PROCEDURE:

REMOVE CONTENTS FROM BOX AND VERIFY ALL PARTS ARE PRESENT. READ INSTRUCTIONS CAREFULLY. CUTTING MAY BE REQUIRED. INSTALLATION MAY INTERFERE WITH FRONT MOUNTED SENSORS.

1. Start installation from under the front of the vehicle. Determine if the vehicle is equipped with tow hooks, **(Figure 1)**. **IMPORTANT:** Tow hooks cannot be reinstalled with the Bull Bar.

Tow Hook equipped vehicles:

Remove the factory tow hook from the end of each frame channel, **(Figure 1)**. Skip to **Step 2** if tow hooks were accessible and have been removed. **NOTE:** Tow hooks on 2014-on models may be difficult to remove and assistance is highly recommended on these models. The following info only applies to the 2014-on models.

- a. On models with factory fog lights, unplug both lights. Move all wiring harnesses away from bumper.
- b. Open the hood and remove the cover between the top of the radiator and the grille. Remove the bolts attaching the bottom of the grille if attached to the cross member. Remove the grille.

- c. On 2014-15 models, from behind the bumper, release the clips and hardware to remove the plastic body panel, (fascia), on top of the bumper between the bottom of the grille and the top of the bumper, **(Figure 2)**.
- d. Remove the outer bumper supports on each side of the frame.
- e. Place blocks or jack stands under the front bumper to support it during mounting bolt removal. Once the bumper has been safely supported, remove the factory bumper bolts attaching the bumper to the inner bumper bracket bolted to the end of the frame, **(Figures 2 & 3)**. **WARNING!** Assistance is required to hold the bumper in place during bolt removal to prevent the bumper from falling. Carefully slide the bumper assembly with brackets off of the ends of the frame.
- f. Once bumper has been removed, remove both tow hooks.
- g. Reattach the bumper, fascia panel if equipped and grille after both tow hooks have been removed and the openings have been checked for Bracket clearance. Trim around openings as required for Bracket clearance.
- h. Tighten all factory bumper hardware at this time.
- i. Proceed to **Step 2**.

Vehicles without tow hooks:

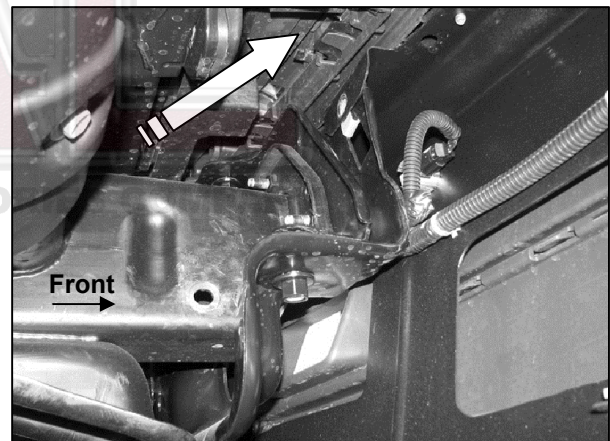
- a. Cut out the indented area in both sides of the plastic bumper insert to clear the Brackets as pictured, **(Figures 4 & 5)**. **IMPORTANT:** Make several small cuts for best fit. Do not cut through the top edge of the panel. **NOTE:** On 2014-15 models, the plastic panel is held in place with several small screws. The screws at the top corners are difficult to impossible to reach and remove without damaging the cover with the bumper in place. If you prefer to remove the panel to cut out the openings, it will be easier to remove the bumper assembly with the plastic panel attached.
 - b. Reattach the bumper assembly, (if removed), fascia and grille once openings have been cut out and checked for clearance. Tighten all factory bumper hardware at this time.
2. Select the driver side Mounting Bracket. Insert the Bracket through the opening in the bumper, **(Figure 5)**. Trim the plastic as required to clear the Brackets.
 3. Line up the holes in the Bracket with the holes in the end of the frame channel for the tow hook, **(Figure 6)**. Select (1) 12mm Double Bolt Plate, **(Figure 7)**. Insert the Bolt Plate into the end of the frame, through the (2) holes in the side of the frame and out through the Bracket, **(Figures 8 & 11)**. Secure the Bracket to the Bolt Plate with (2) 12mm Flat Washers and (2) 12mm Nylon Lock Nuts. Do not fully tighten hardware.
 4. Repeat **Step 3** to install the 12mm x 35mm Single Bolt Plate, **(Figure 9)**, into the remaining hole in the other side of the frame channel and Bracket, **(Figures 10 & 11)**.
 5. **IMPORTANT:** The Brackets are designed with (2) mounting positions to fit multiple models and model years. Most Silverado/Sierra models will use the “back” or “in” mounting position with the Brackets pushed in to install the Bull Bar closer to the bumper, **(Figure 11)**. Move Brackets to the outer position if more clearance is needed between Bull Bar and bumper.
 6. Repeat **Steps 2—5** to install the passenger side Mounting Bracket.
 7. Select the driver side Bull Bar Upright and the Top Cross Bar. Attach the Black Rubber Self-Adhesive Top Seal between the Upright and Top Cross Bar. Bolt through the Top Cross Bar, Self-Adhesive Top Seal and Upright using (2) 10mm x 25mm Hex Bolts, (4) 10mm x 20mm Flat Washers, (2) 10mm Lock Washers and (2) 10mm Hex Nuts, **(Figure 12)**. Do not fully tighten hardware.
 8. Select the Center Cross Bar. Attach the Black Rubber Self-Adhesive Center Seal between the Upright and the Center Cross bar. Bolt through the Center Cross Bar, Self-Adhesive Center Seal, and Upright with (2) 10mm x 25mm Hex Bolts, (4) 10mm x 20mm Flat Washers, (2) 10mm Lock Washers and (2) 10mm Hex Nuts, **(Figure 12)**. Do not fully tighten hardware.
 9. Repeat **Step 7 & 8** to attach the passenger side Bull Bar Upright to the Top Cross Bar and Center Cross Bar. Place assembled Bull Bar face down on a clean flat surface and fully tighten top and center cross bar to upright hardware only at this time.
 10. Relocation of front license plate may be necessary.
 - a. Attach the License Plate Bracket to bottom of Center Cross Bar with (2) 6mm Button Head Bolts, (4) 6mm Flat Washers, (2) 6mm Lock Washers and (2) 6mm Hex Nuts, **(Figure 13)**.
 - b. Attach license plate to Bracket with (2) 6mm Button Head Combo Bolts, **(Figure 13)**.
 11. LED light installation, (optional).

- a. Start at the driver/left side of the vehicle. Select (1) Light Bar Bracket. Attach the Bracket to the slot in the back of the Center Cross Bar with (1) 8mm x 25mm Hex Bolt, (2) 8mm Flat Washers, (1) 8mm Lock Washer and (1) 8mm Hex Nut, **(Figure 14)**. **NOTE:** Check for clearance between the Hex Bolt and the bottom of the Light. If necessary, insert the Hex Bolts down through the Brackets then through slots in the Cross Bar. Leave hardware loose at this time.
 - b. Repeat the previous **Step** to attach the passenger/right Light Bracket.
 - c. If needed, use the included (2) 8mm x 16mm Hex Bolts, (2) 8mm Lock Washers and (2) 8mm Flat Washers to attach the LED light bar to the Brackets, **(Figure 14)**.
 - d. Follow light manufacturer's instructions to properly wire the light bar to the electrical system.
 - e. Proceed to **Step 13**.
12. With assistance, hold up the assembled Bull Bar to the Mounting Brackets. Align the (2) holes located in the middle of the Uprights with the (2) holes in the Mounting Brackets. Attach the assembled Bull Bar to the Brackets with (4) 10mm Hex Bolts, (4) 10mm Lock Washers and (4) 10mm x 30mm Large Flat Washers, **(Figures 15 & 16)**. Do not tighten hardware at this time.
 13. Check the Bull Bar alignment with the vehicle and for clearance between the Bull Bar and the bumper. If Bull Bar is too close to or touching bumper, remove the Bull Bar and reinstall the Brackets in the "forward" position away from the bumper, **(Figure 11)**. Adjust as required then fully tighten all hardware at this time.
 14. Do periodic inspections to the installation to make sure that all hardware is secure and tight.

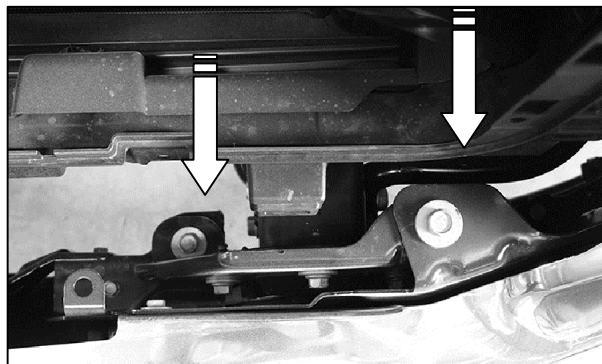
To protect your investment, wax this product after installing. Regular waxing is recommended to add a protective layer over the finish. Do not use any type of polish or wax that may contain abrasives that could damage the finish. Mild soap may be used to clean the Bull Bar.



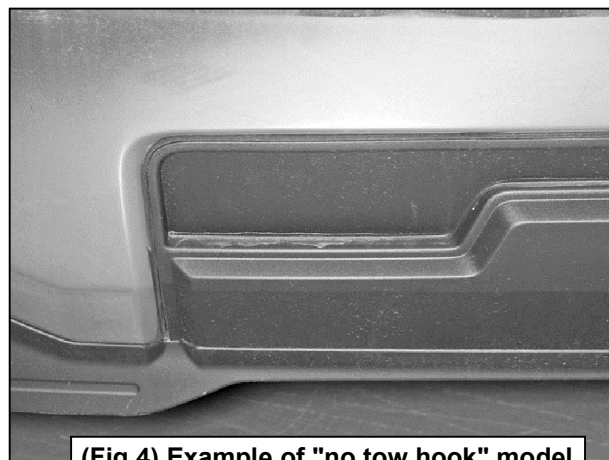
(Fig 1) Example of Tow hook



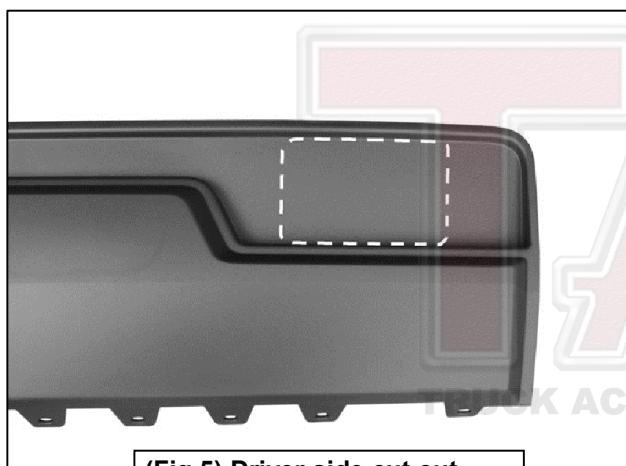
(Fig 2) 2014-15 models, from behind the bumper, remove the clips securing the fascia to the top of the bumper



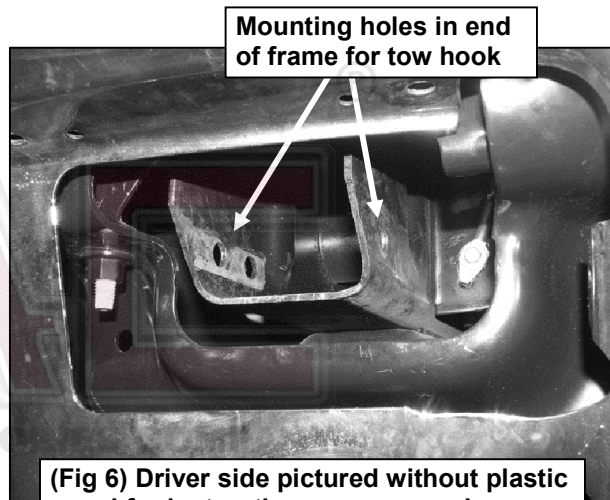
(Fig 3) 2016 model to show bumper bolt locations from above (arrows) with grille removed. 2014-15 models also remove plastic fascia panel to access bumper bolts as necessary



(Fig 4) Example of "no tow hook" model



(Fig 5) Driver side cut out illustrated for reference only



Mounting holes in end of frame for tow hook

(Fig 6) Driver side pictured without plastic panel for instruction purposes only

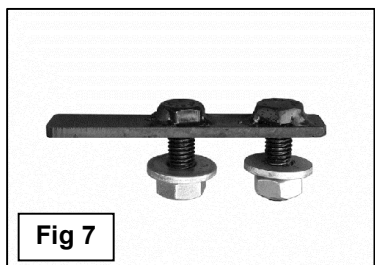
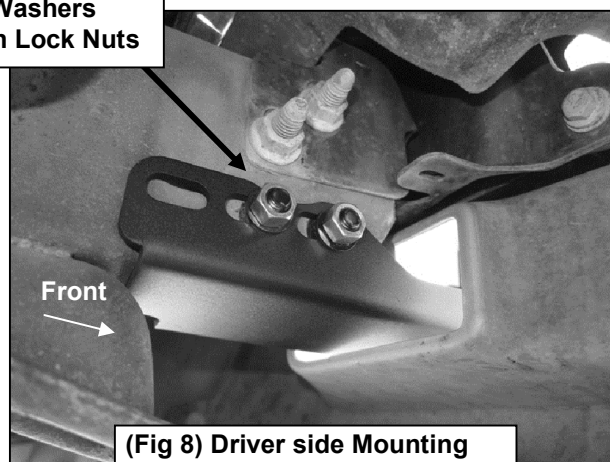


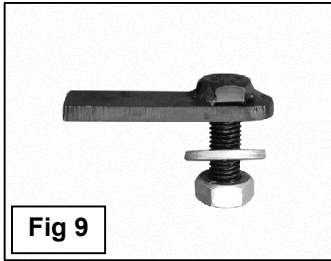
Fig 7

- (1) 12mm Double Bolt Plate
- (2) 12mm Flat Washers
- (2) 12mm Nylon Lock Nuts

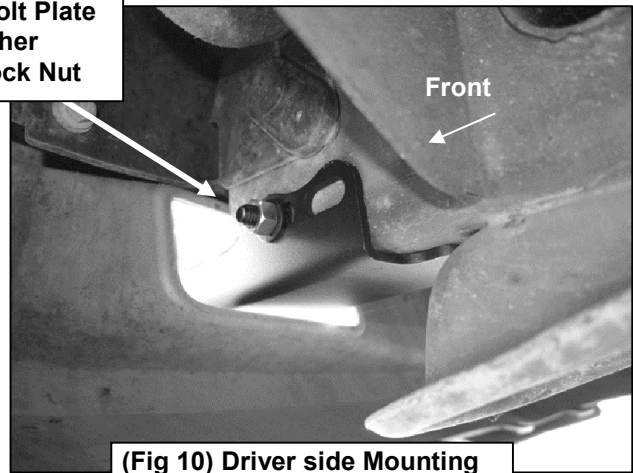


Front

(Fig 8) Driver side Mounting Bracket with Double Bolt Plate

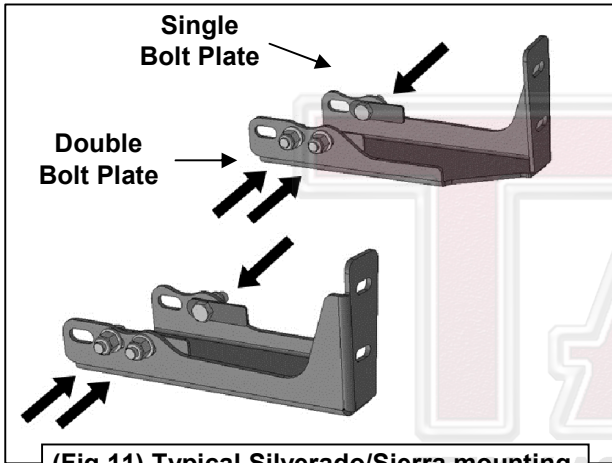


12mm Single Bolt Plate
 12mm Flat Washer
 12mm Nylon Lock Nut



(Fig 10) Driver side Mounting Bracket with Single Bolt Plate

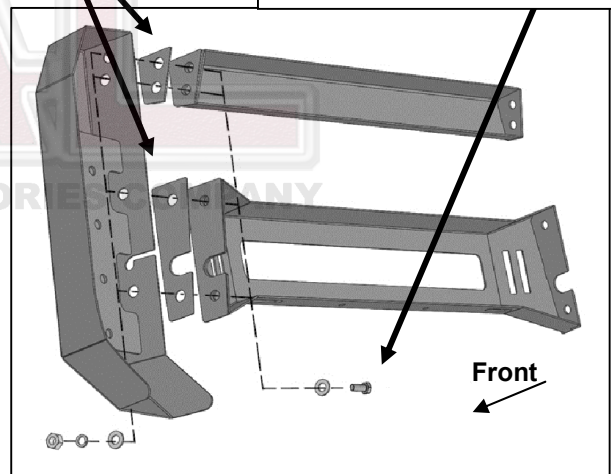
NOTE: Mounting Brackets installed in the "IN" position to move Bull Bar closer to the bumper. If more clearance is needed, install Brackets in the outer mounting position.



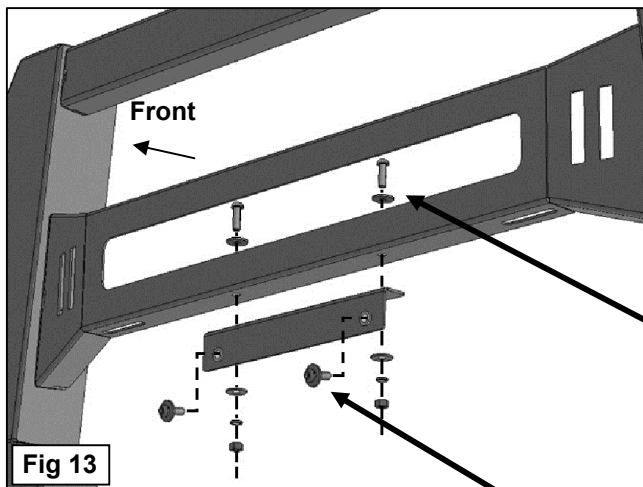
(Fig 11) Typical Silverado/Sierra mounting position with Brackets "IN" toward vehicle

Insert Adhesive Backed Rubber Seals between Uprights and Top and Center Cross Bars

- (4) 10mm x 25mm Hex Bolts
- (8) 10mm x 20mm Small Flat Washers
- (4) 10mm Lock Washers
- (4) 10mm Hex Nuts



(Fig 12) Driver/Left Side Bull Bar Upright attached to Top and Center Cross Bars



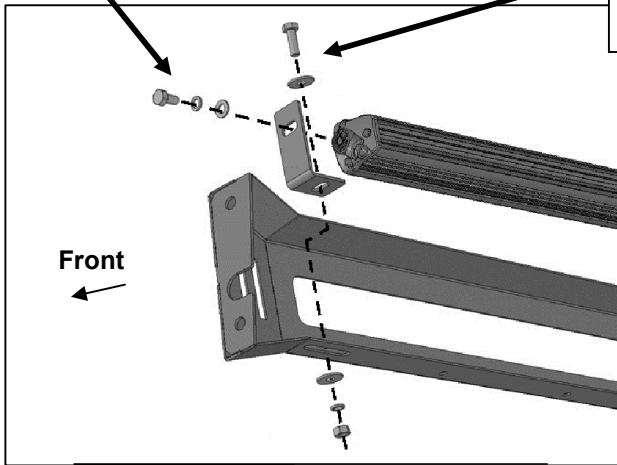
- (2) 6mm Button Head Bolts
- (4) 6mm Flat Washers
- (2) 6mm Lock Washers
- (2) 6mm Hex Nuts

- (2) 6mm Button Head Combo Bolts

EC1 MODULAR BULL BAR W-LIGHT
 07-18 SILVERADO1500(INCL.2019 SILVERADO 1500 LD)
 07-18 GMC SIERRA 1500(INCL.2019 SIERRA 1500 LIMITEN)

8mm x 16mm Hex Bolt
 8mm Lock Washer
 8mm Flat Washer

8mm x 25mm Hex Bolt
 (2) 8mm Flat Washers
 8mm Lock Washer
 8mm Hex Nuts



(Fig 14) Attach "L" Light Brackets to slots in bottom of Center Cross Bar. Attach LED Bar light to Brackets

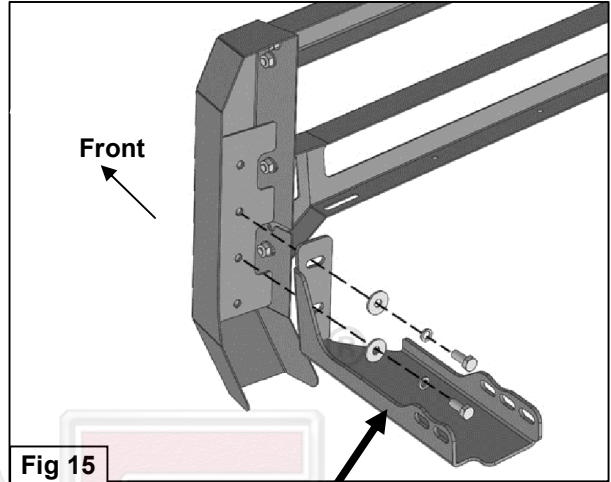


Fig 15

(2) 10mm Hex Bolts
 (2) 10mm Lock Washers
 (2) 10mm x 30mm Large Flat Washers

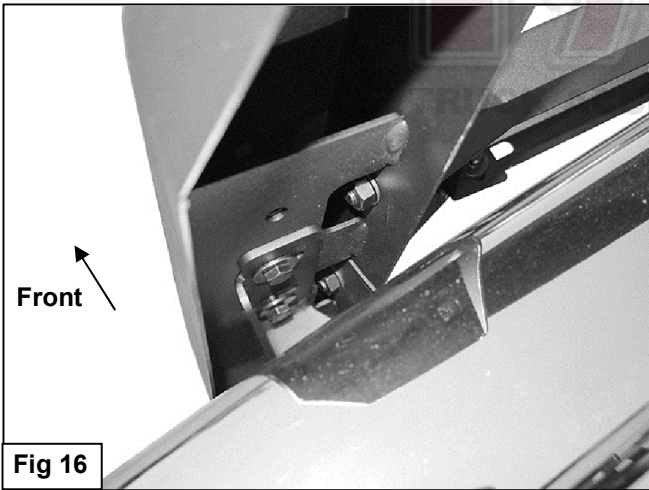


Fig 16



Complete Installation