



INSTALLATION INSTRUCTIONS

VIEWPOINT RUNNING BOARDS

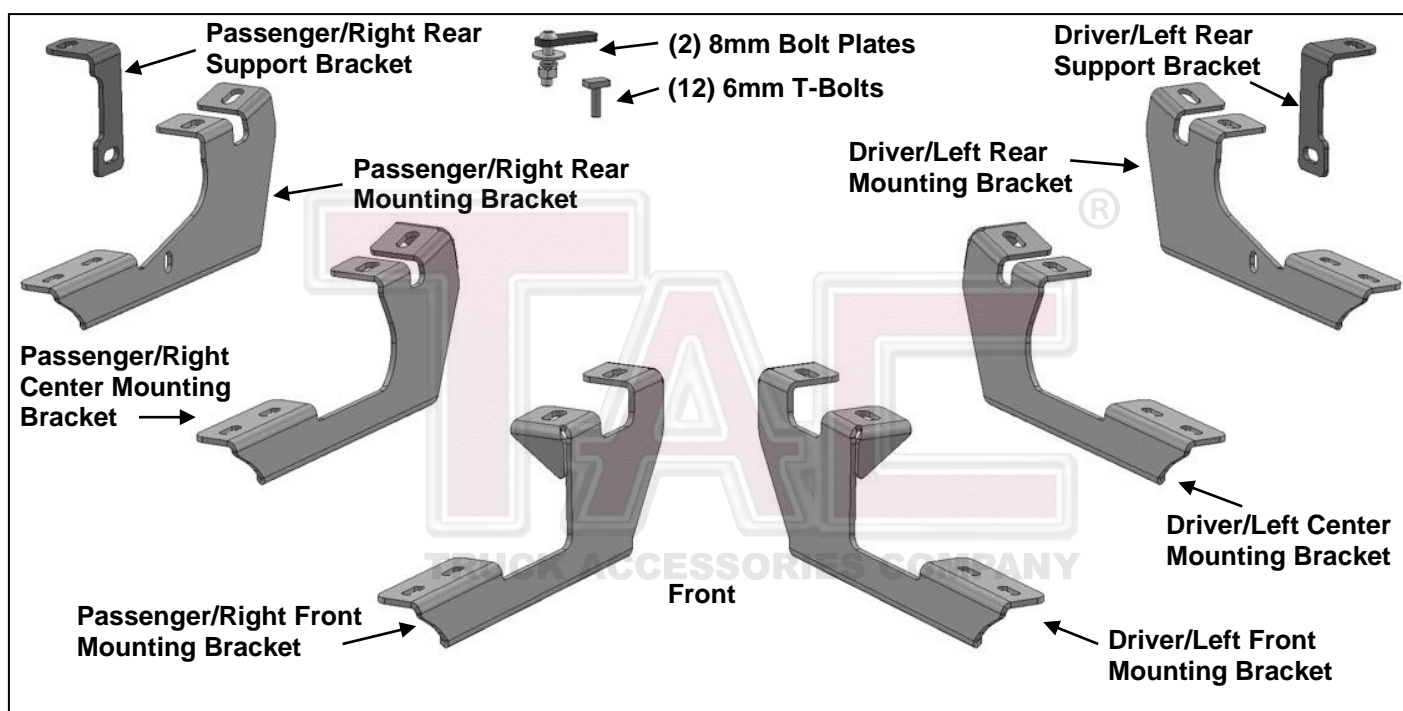
2023-2024 HONDA PILOT

PART# BA155130

TRUCK ACCESSORIES COMPANY

PARTS LIST:

| | | | |
|---|---|----|-------------------------------|
| 2 | 72" Running Boards | 14 | 8-1.25mm x 25mm Hex Bolts |
| 1 | Driver/left Front Mounting Bracket | 18 | 8mm x 24mm x 2mm Flat Washers |
| 1 | Passenger/right Front Mounting Bracket | 14 | 8mm Lock Washers |
| 1 | Driver/left Center Mounting Bracket | 2 | 8mm Nylon Lock Nuts |
| 1 | Passenger/right Center Mounting Bracket | 2 | 8mm Hex Nuts |
| 1 | Driver/left Rear Mounting Bracket | 12 | 6-1.0 x 20mm T-Bolts |
| 1 | Passenger/right Rear Mounting Bracket | 12 | 6mm x 22mm x 2mm Flat Washer |
| 1 | Driver/left Rear Support Bracket | 12 | 6mm Lock Washers |
| 1 | Passenger/right Rear Support Bracket | 12 | 6-1.0mm Hex Nuts |
| 2 | 8mm Bolt Plates | | |



PROCEDURE:

- 1. REMOVE CONTENTS FROM BOX. VERIFY ALL PARTS ARE PRESENT. READ INSTRUCTIONS CAREFULLY BEFORE STARTING INSTALLATION. CUTTING IS REQUIRED.**
- Starting on the passenger/right side of the vehicle and remove the plastic cover under the vehicle. Locate the two 8mm threaded holes in the bottom of the floor panel, **(Figure 1)**. **IMPORTANT:** Factory threaded holes may be covered with rubber plugs or undercoating. Scrape off any excess undercoating from all mounting surfaces before installing Mounting Brackets.
- Select the passenger/right Front Mounting Bracket, **(Figure 2)**. **IMPORTANT:** Brackets look similar but are all unique. Attach the Bracket to the threaded holes with the provided (2) 8mm x 25mm Hex Bolts, (2) 8mm Lock Washers and (2) 8mm Flat Washers. Snug but do not tighten hardware at this time, **(Figures 2 & 3)**.
- Move to the center of the vehicle and locate the (2) 8mm threaded holes located in the bottom of the floor panel, **(Figure 4)**. Select the passenger/right Center Mounting Bracket, **(Figure 5)**. Attach the Center Bracket to the threaded holes with (2) 8mm x 25mm Hex Bolts, (2) 8mm Lock Washers and (2) 8mm Flat Washers, **(Figure 6)**. Do not tighten hardware at this time.
- Continue along the side of the vehicle to the passenger/right rear mounting location. Locate the (2) 8mm threaded holes located in the bottom of the floor panel, **(Figure 7)**. Attach the passenger/right

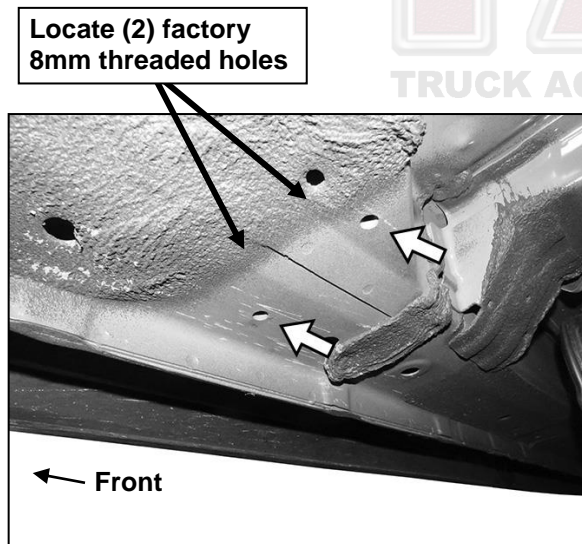
VIEWPOINT RUNNING BOARDS 2023-2024 HONDA PILOT

Rear Bracket to the holes with (2) 8mm x 25mm Hex Bolts, (2) 8mm Lock Washers and (2) 8mm Flat Washers, **(Figure 8)**. Do not tighten hardware at this time.

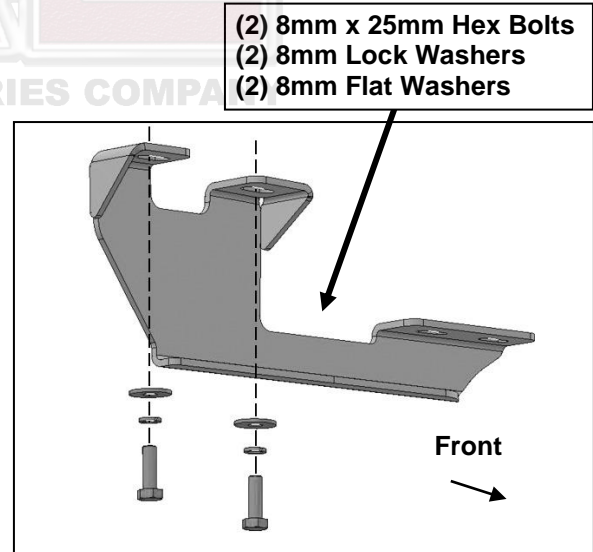
6. Remove the rubber plug from the bottom of the outer body panel, **(Figure 7)**.
7. Select (1) 8mm Bolt Plate, **(Figure 10)**. Insert the Bolt Plate into the hole in the bottom of the body panel, **(Figure 9)**.
8. Next, select the passenger/right Support Bracket. Attach the Support Bracket to the Bolt Plate with the included (1) 8mm Flat Washer, (1) 8mm Lock Washer and (1) 8mm Hex Nut, **(Figure 10)**. Attach the Support Bracket to the back of the Rear Mounting Bracket with (1) 8mm x 25mm Hex Bolt, (2) 8mm Flat Washers and (1) 8mm Nylon Lock Nut, **(Figures 11 & 12)**. Do not tighten hardware.
9. Carefully unwrap the Running Boards. Select (1) Running Board. Locate the openings at the end of the slots on the bottom of the Running Board, **(Figure 13)**. Insert (3) 6mm T-Bolts into each slot through the openings. Slide the T-Bolts into the approximate position in line with the (3) Brackets on the vehicle.
10. Carefully position the Running Board onto the (3) Mounting Brackets. If necessary, loosen the Mounting Brackets to insert the Running Board between the body and the Brackets. Slide the T-Bolts into position and through the slots in the Brackets. Attach the Board to the Brackets with (6) 6mm Flat Washers, (6) 6mm Lock Washers and (6) 6mm Hex Nuts, **(Figures 14 & 15)**. Do not tighten hardware at this time.
11. Level and adjust the Running Board and fully tighten all hardware.
12. Hold the plastic cover removed in **Step 2**, up to bottom of the Mounting Brackets. Mark the location of the Brackets onto the cover, **(Figure 16)**. Use a knife or hacksaw blade to cut slots in the cover to clear the Brackets. Reinstall the plastic cover.
13. Repeat **Steps 2—12** for the driver/left Running Board installation.
14. Do periodic inspections to the installation to make sure that all hardware is secure and tight.

To protect your investment, Do not use any type of polish or wax that may contain abrasives that could damage the finish. Mild soap may be used to clean the Running Board.

Passenger/right Side Installation Pictured

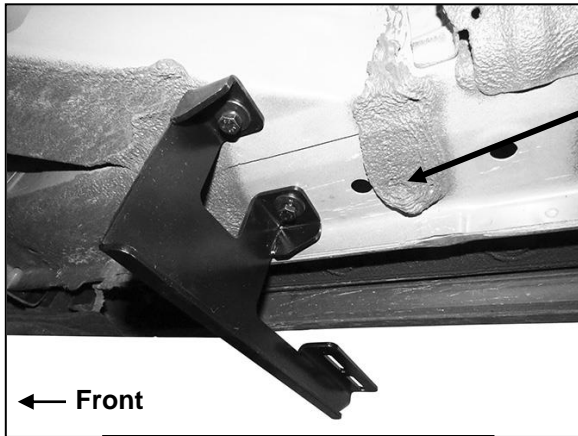


(Fig 1) Passenger/right front mounting location (arrows)



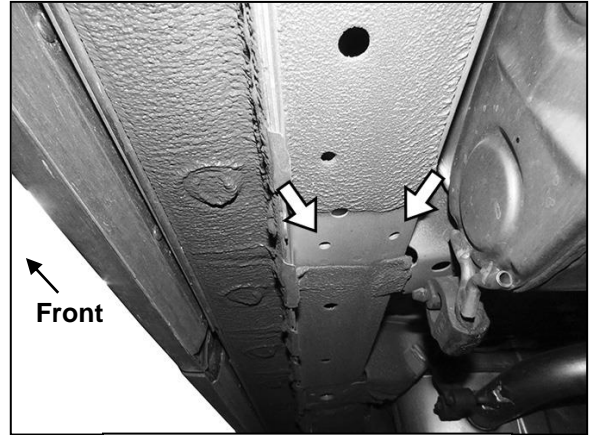
(Fig 2) Attach passenger/right Front Mounting Bracket to threaded holes

Passenger/right Side Installation Pictured

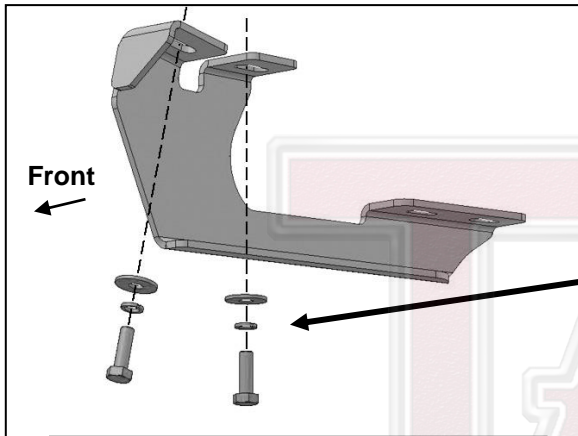


(Fig 3) Passenger/right Front Mounting Bracket installed

- (2) 8mm x 25mm Hex Bolts
- (2) 8mm Lock Washers
- (2) 8mm Flat Washers

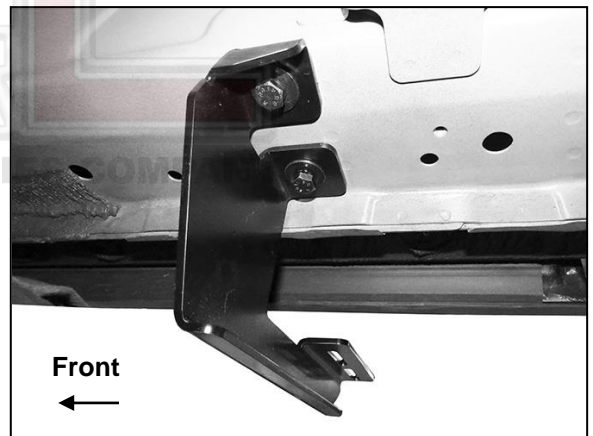


(Fig 4) Passenger/right center mounting location (arrows)

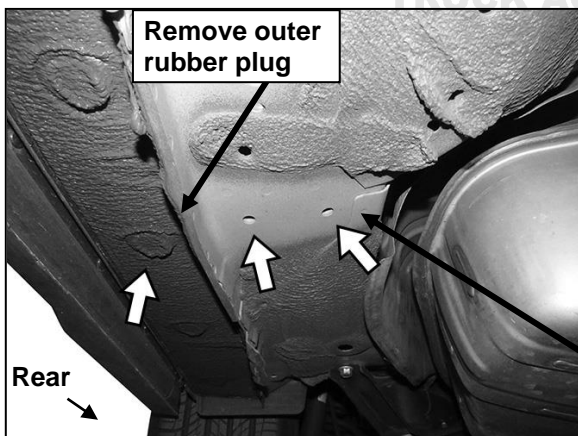


(Fig 5) Attach passenger/right Center Mounting Bracket to threaded holes

- (2) 8mm x 25mm Hex Bolts
- (2) 8mm Lock Washers
- (2) 8mm Flat Washers



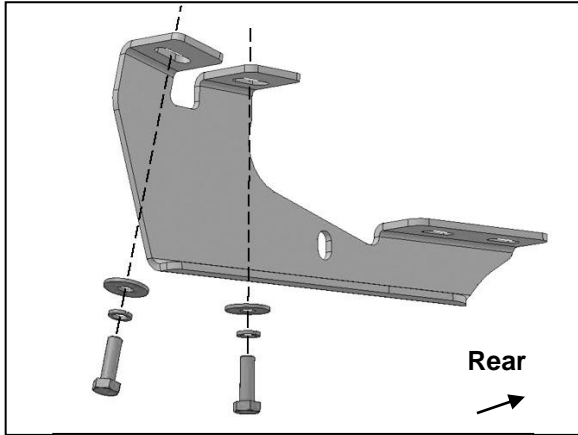
(Fig 6) Passenger/right Center Mounting Bracket installed



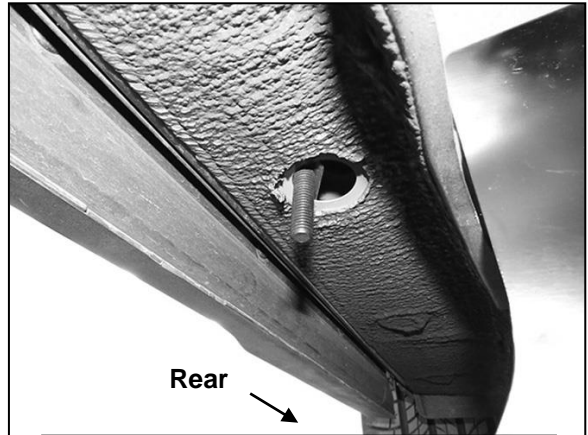
(Fig 7) Passenger/right rear mounting location. Remove outer rubber plug (arrows)

- Locate (2) factory 8mm threaded holes

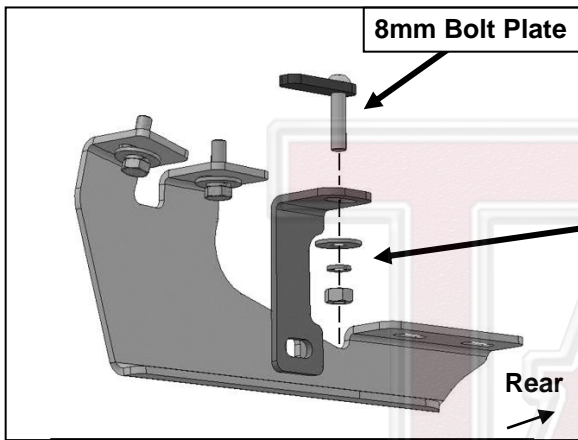
Passenger/right Side Installation Pictured



(Fig 8) Attach passenger/right Rear Mounting Bracket to threaded holes



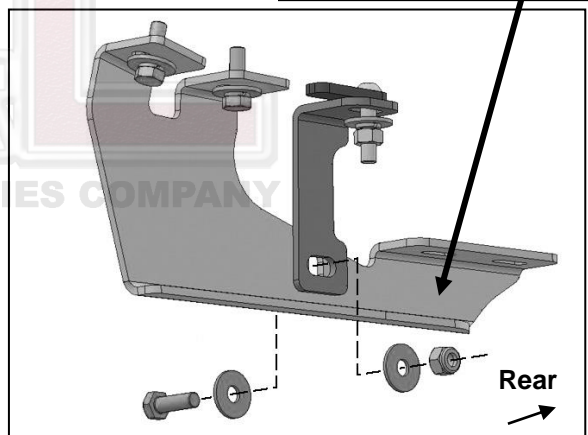
(Fig 9) Insert 8mm Bolt Plate into outer hole in body panel (also see Figure 7)



(Fig 10) Attach passenger/right rear Support Bracket to Bolt Plate

8mm Flat Washer
8mm Lock Washer
8mm Hex Nut

8mm x 25mm Hex Bolt
(2) 8mm Flat Washers
8mm Nylon Lock Nut



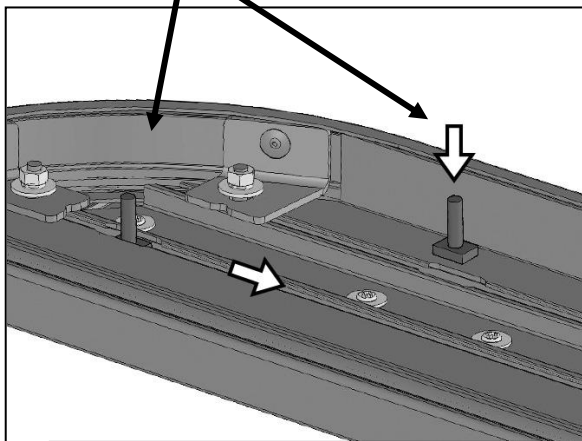
(Fig 11) Attach passenger/right rear Support Bracket to the rear facing side of the rear Mounting Bracket



(Fig 12) Passenger/right rear Mounting Bracket and Support Bracket installed

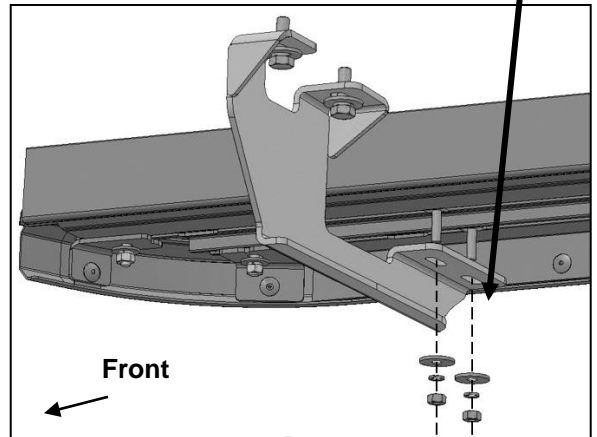
Passenger/right Side Installation Pictured

Slide 6mm T-Bolts into slot at end of channel



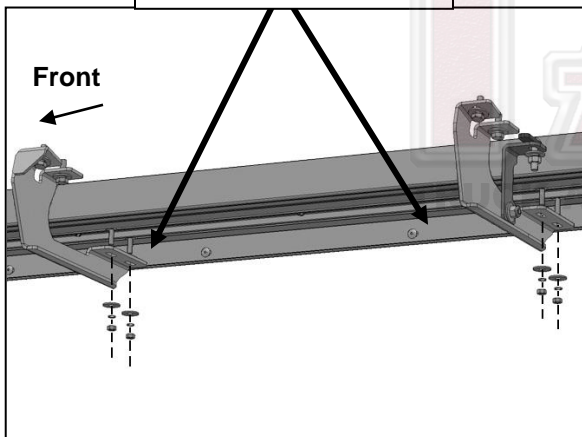
(Fig 13) Insert (3) 6mm T-Bolts into each opening in the end of the slots on the bottom of the Running Board

(2) 6mm Flat Washers
(2) 6mm Lock Washers
(2) 6mm Hex Nuts



(Fig 14) Place Running Board on front Bracket. Slide T-Bolts into position. Guide T-Bolts down through Bracket

(2) 6mm Flat Washers
(2) 6mm Lock Washers
(2) 6mm Hex Nuts



(Fig 15) Place Running Board on center and rear Brackets. Slide T-Bolts into position. Guide T-Bolts down through Brackets



(Fig 16) Hold plastic cover up to bottom of Mounting Brackets to determine area to cut from cover. Use masking tape as a guide (arrows). Check for clearance after cutting and reinstall cover