



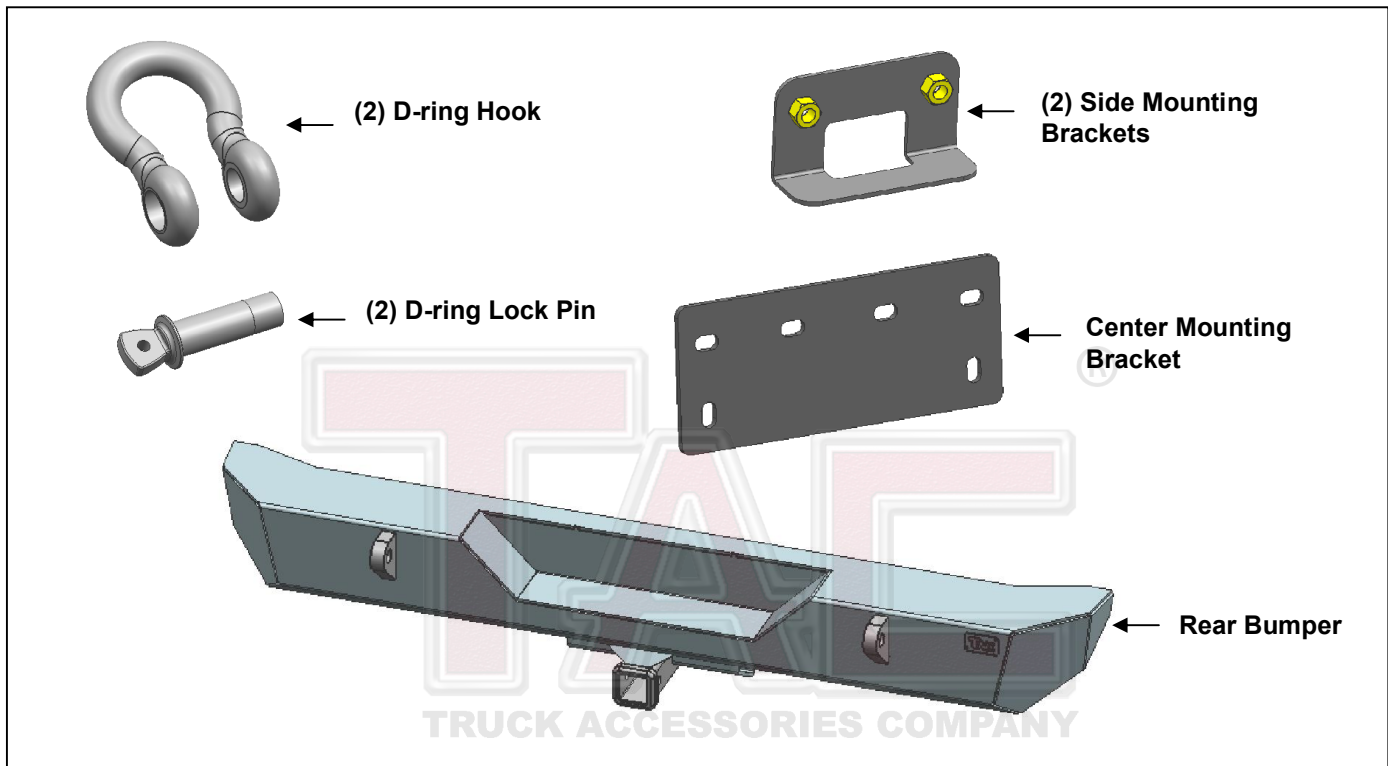
## **INSTALLATION INSTRUCTIONS**

**REAR BUMPER**  
**07-18 JEEP WRANGLER JK**  
**PART#92460**

**TRUCK ACCESSORIES COMPANY**

**PARTS LIST:**

Qty	Description	Qty	Description
1	Rear Bumper	4	M12_120 Hex Bolt
2	D-ring Hook	6	M12_35 Hex Bolt
2	D-ring Lock Pin	10	12mm Lock Washer
2	Side Mounting Brackets	6	M12 Hex Nut
1	Center Mounting Bracket	16	1/2" Large Washer



**INSTALLATION PROCEDURE:**

- 1- Begin by removing the spare tire.
- 2- Remove the (4) 15mm bolts on the outside of each frame rail. Then remove the (4) 15mm bolts securing the plastic bumper to the frame.
- 3- Remove the (3) bolts securing the tow hook to the driver side frame rail.
- 4- Slide the supplied bumper side mounting bracket into the frame rail so that the threads are visible through the (2) holes circled above.
- 5- Loosely install the bumper to the frame rails using (2) M12x1.75 35mm bolts, locking washers, and large flat washers. Same in the left side and right side.
- 6- Secure the center mounting bracket on the rear of the bumper with (2)M12x1.75 35mm bolts, lock washers and large washers.
- 7- Secure the center of the bumper with the (4) M12x1.75 120mm bolts, lock washers and larger washers. Tighten all remaining bumper bolts.
- 8- Reinstall the spare tire.

DIAGRAM:

STEP 1



STEP 2



STEP 3



STEP 4



STEP 5



STEP 6

