



INSTALLATION INSTRUCTIONS

3 INCH BULL BAR

2007-2021 TOYOTA TUNDRA

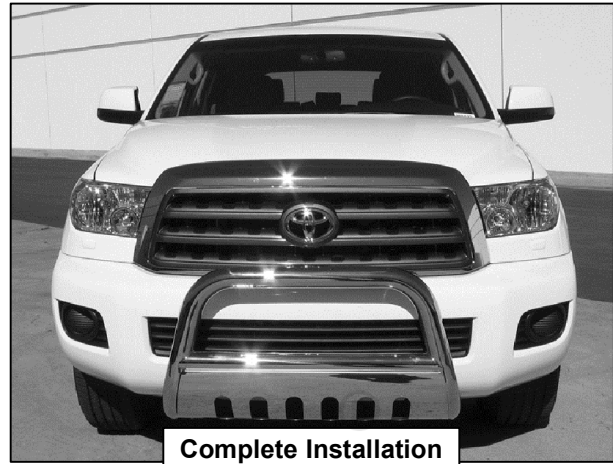
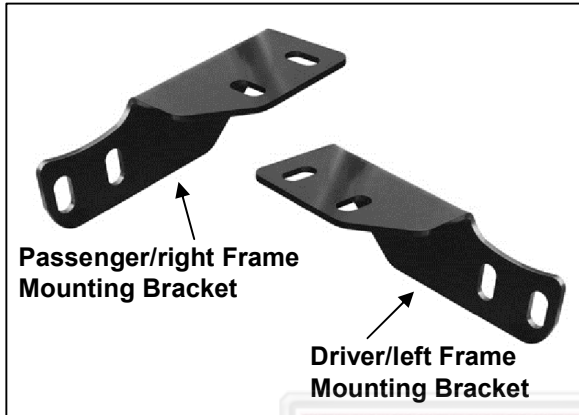
2008-2022 TOYOTA SEQUOIA

PART#73310B



PARTS LIST:

| | | | |
|---|--|---|-----------------------------------|
| 1 | Bull Bar | 4 | 12-1.75mm x 30mm Hex Bolts |
| 1 | Driver/Left Frame Mounting Bracket | 8 | 12mm x 37mm OD x 3mm Flat Washers |
| 1 | Passenger/Right Frame Mounting Bracket | 4 | 12mm Nylon Lock Nuts |



PROCEDURE:

REMOVE CONTENTS FROM BOX. VERIFY ALL PARTS ARE PRESENT. READ INSTRUCTIONS CAREFULLY BEFORE STARTING INSTALLATION. INSTALLATION MAY INTERFERE WITH FRONT MOUNTED SENSORS. NOT RECOMMENDED FOR VEHICLES WITH OPTIONAL "ACTIVE" LASER GUIDED CRUISE CONTROL SYSTEMS.

1. **NOTE:** It may be necessary to remove/relocate the front license plate and license plate bracket. It is not required for installation but strongly recommended. If local/state law requires a license plate, license plate relocation kit is available.
2. Start installation at the driver side, front of the vehicle. Remove the driver side tow hook, **(Figures 1 & 2)**.
3. Select the driver side Frame Bracket, **(Figure 3)**. Check the fit between the tow hook and the Bracket for reinstallation over the Bracket. **NOTE:** Some factory tow hooks may not clear the Bracket and cannot be reinstalled. Check for fit before bolting tow hook and Bracket in place.
4. Bolt the Bracket to the underside of the frame channel reusing the factory tow hook bolts, either with or without the tow hook, **(Figures 3 & 4)**. Do not fully tighten hardware at this time.
5. Repeat **Steps 2—4** for passenger side Frame Mounting Bracket installation.
6. With assistance, line up the mounting tabs on the Bull Bar with the outside of the (2) previously installed Frame Mounting Brackets. Bolt the Bull Bar to the Frame Mounting Brackets with the included (4) 12mm x 30mm Hex Bolts, (8) 12mm Flat Washers and (4) 12mm Nylon Lock Nuts, **(Figures 4 & 5)**. Snug but do not tighten hardware at this time.
7. Level and adjust the Bull Bar properly and tighten all hardware.
8. Do periodic inspections to the installation to make sure that all hardware is secure and tight.

To protect your investment, wax this product after installing. Regular waxing is recommended to add a protective layer over the finish. Do not use any type of polish or wax that may contain abrasives that could damage the finish.

For stainless steel: Aluminum polish may be used to polish small scratches and scuffs on the finish. Mild soap may be used also to clean the Bull Bar.

For gloss black finishes: Mild soap may be used to clean the Bull Bar.

Driver Side Installation Pictured

