



INSTALLATION INSTRUCTIONS

3" BULL BAR

21-24 GRAND CHEROKEE L

22-24 GRAND CHEROKEE

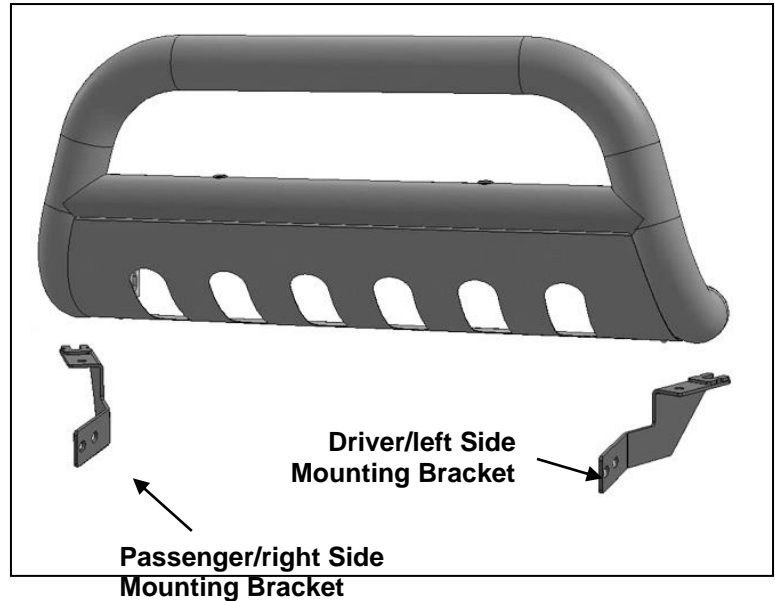
22-24 GRAND CHEROKEE 4xe

PART# 72330B

TRUCK ACCESSORIES COMPANY

PARTS LIST:

1	Bull Bar
1	Driver/Left Frame Mounting Bracket
1	Passenger/Right Frame Mounting Bracket
4	10-1.5mm x 35mm Hex Bolts
8	10mm x 30mm x 2.5mm Flat Washers
4	10mm Lock Washers
4	10mm Hex Nuts



PROCEDURE:

REMOVE CONTENTS FROM BOX. VERIFY ALL PARTS ARE PRESENT. READ INSTRUCTIONS CAREFULLY BEFORE STARTING INSTALLATION. ASSISTANCE IS RECOMMENDED. CUTTING IS REQUIRED.

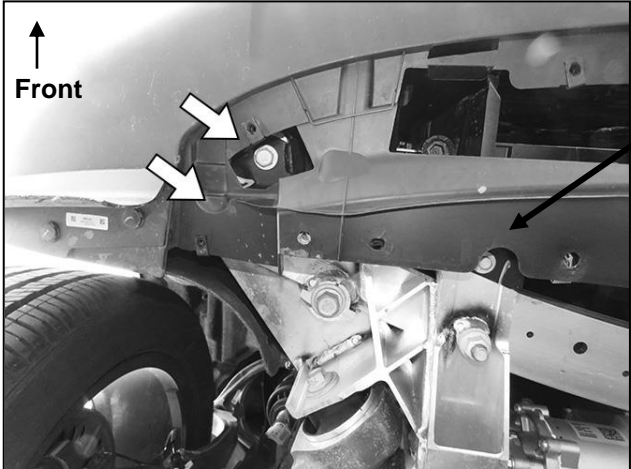
1. Remove the plastic splash guard, **(Figure 1)**. Pay close attention to the type and location of all factory hardware for easier reinstallation.
2. Locate the large (21mm) and small (16mm) mounting bolts attaching the passenger/right side outer bumper end to the inner impact bumper, **(Figure 1)**. **NOTE:** The “small” 16mm hex bolt is visible, the larger hex bolt is partially hidden behind the plastic bumper cover.
3. Select the passenger/right side Frame Mounting Bracket, **(Figure 2)**. Hold the Bracket in place over the hex bolts. Trace the outline of the Bracket onto the plastic cover, **(Figure 3)**. Use a sharp knife or hacksaw blade to cut out a small section of the bumper cover, **(Figure 4)**.
4. Remove the smaller forward hex bolt. Loosen but do not remove the larger rear hex bolt. Slide the rear slot end of the Bracket under the larger bolt, **(Figure 4)**. Reinstall the smaller hex bolt to attach the Bracket. Snug but do not fully tighten hardware at this time.
5. Repeat **Steps 3—5** to attach the driver/left side Frame Mounting Bracket.
6. With assistance, hold the Bull Bar up to the inside of the Mounting Brackets. Attach the Bull Bar to the Mounting Brackets with the included (4) 10mm x 35mm Hex Bolts, (8) 10mm Flat Washers, (4) 10mm Lock Washers and (4) 10mm Hex Nuts, **(Figures 5 & 6)**.
7. Align and adjust the Bull Bar and tighten all hardware. Reinstall the rear of the splash guard. Hold the front of the splash guard up to the bottom of the Brackets, **(Figure 6)**. Cut slots in the splash guard to clear the Brackets. Fully reinstall the splash guard.
8. Do periodic inspections to the installation to make sure that all hardware is secure and tight.

To protect your investment, wax this product after installing. Regular waxing is recommended to add a protective layer over the finish. Do not use any type of polish or wax that may contain abrasives that could damage the finish.

For stainless steel: Aluminum polish may be used to polish small scratches and scuffs on the finish. Mild soap may be used also to clean the Bull Bar.

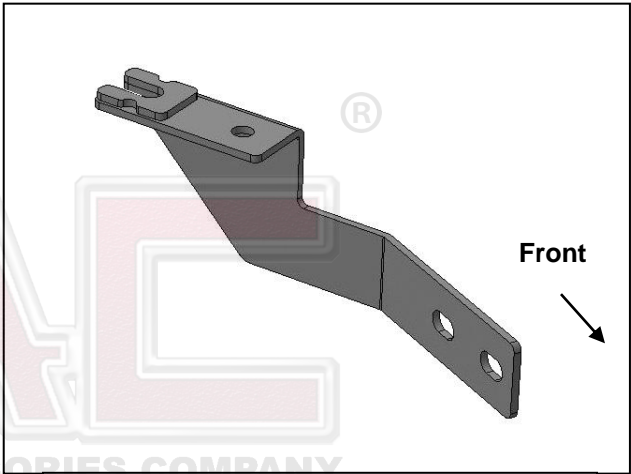
For gloss black finishes: Mild soap may be used to clean the Bull Bar.

Passenger/right Side Installation Pictured



Remove splash guard from bottom of bumper

(Fig 1) Remove splash guard. Locate the large 21mm (under plastic cover) and small 16mm (visible) hex bolts (arrows)



(Fig 2) Passenger/right Mounting Bracket



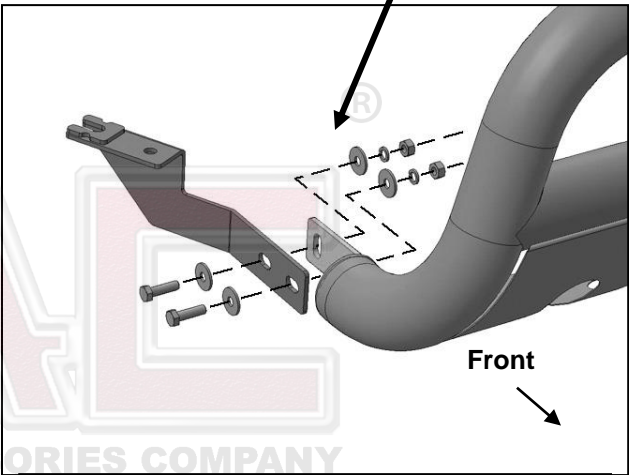
(Fig 3) Cut section from bumper cover to clear the Mounting Bracket

Passenger/right Side Installation Pictured

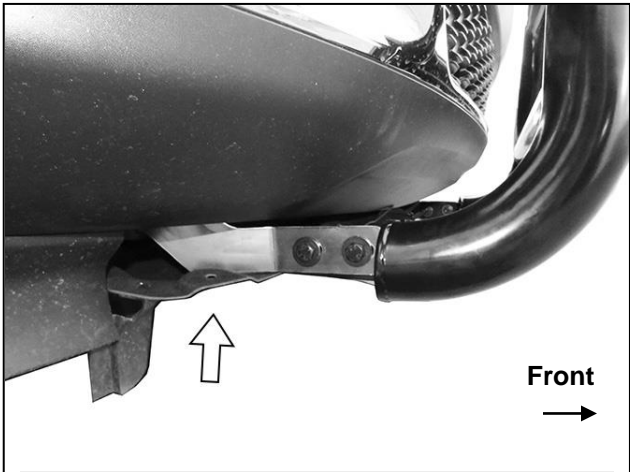


(Fig 4) Slide the inner slot end of the Bracket under the larger 21mm hex bolt. Reuse the 16mm hex bolt to attach Bracket

- (2) 10mm x 35mm Hex Bolts**
- (4) 10mm Flat Washers**
- (2) 10mm Lock Washers**
- (2) 10mm Hex Nuts**



(Fig 5) Attach Bull Bar to inside of Mounting Brackets (passenger/right side illustrated)



(Fig 6) Hold splash guard up to bottom of the Brackets. Cut slots in splash guard to clear the Brackets. Reinstall the splash guard