

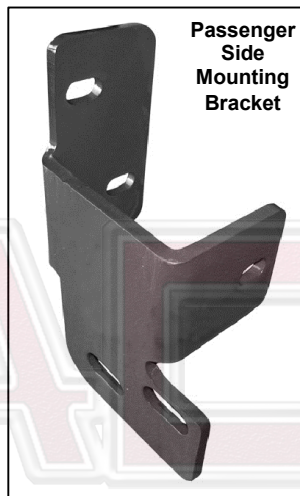
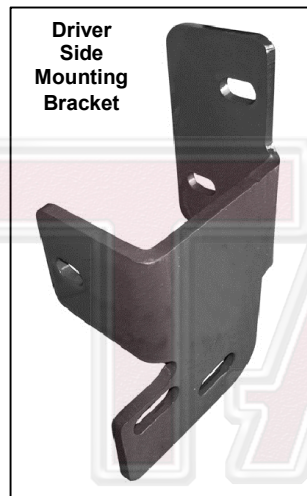


## **INSTALLATION INSTRUCTIONS**

**3" Bull Bar for  
2002-2009 Chevy Trailblazer / 2002-2007 GMC Envoy SUV  
PART # 70120B**

## PARTS LIST:

1	Bull Bar	4	12mm Lock Washers
1	Driver/Left Mounting Bracket	8	12mm ID x 37mm OD x 3mm Flat Washers
1	Passenger/Right Mounting Bracket	6	10-1.50mm x 35mm Hex Head Bolts
4	12-1.75mm x 35mm Hex Bolts	6	10mm Hex Nuts
4	12mm Hex Nuts	6	10mm Lock Washers
		12	10mm ID x 30mm OD x 2.5mm Flat Washers



## PROCEDURE:

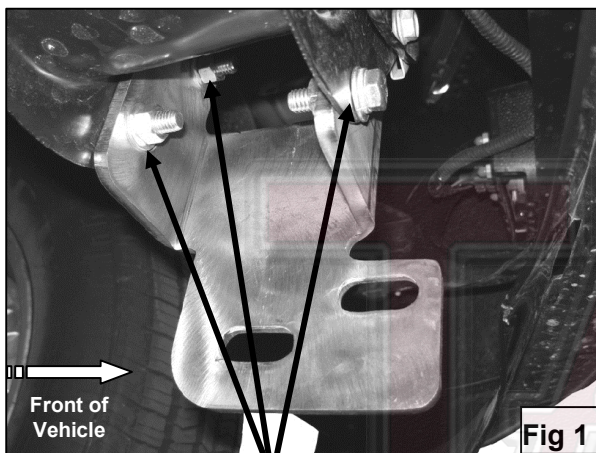
- 1. REMOVE CONTENTS FROM BOX. VERIFY ALL PARTS ARE PRESENT. READ INSTRUCTIONS CAREFULLY BEFORE STARTING INSTALLATION.**
- 2. IMPORTANT!** The front license plate, license plate bracket and the factory air dam must be permanently removed from vehicle in order to install this Bull Bar. If local/state law requires a license plate, license plate relocation kit is available through your local retailer store.
- 3.** To remove the air dam, use a flat screw driver to remove one push type fasteners on each side; then gently pull air dam towards the front of the vehicle to unfasten clips.
- 4.** Locate the three factory holes in the driver side body mount channel (**Figure 1 & 2**).
- 5.** Position driver side Frame Bracket into body mount channel. **NOTE:** "U" shaped mounting tabs on the Bracket should be facing the inside of the vehicle (**Figure 1 & 2**).
- 6.** Partially mount Bracket to body mount channel using the included (3) 10mm x 30mm Hex Head Bolts, (3) 10mm Hex Nuts, (3) 10mm Lock Washers, and (6) 10mm Flat Washers (**Figure 1 & 2**).
- 7.** Repeat steps 3 – 5 for passenger side Mounting Bracket.
- 8.** With help position Bull Bar on the outer side of Mounting Brackets. Attach Bull Bar to Mounting Brackets using the included (4) 12-1.75mm x 35mm Hex Head Bolts, (4) 12mm Lock Washers, (4) 12mm Hex Nuts, and (8) 12mm Flat Washers (**Figure 3**).
- 9.** Adjust Bull Bar properly, and then tighten all hardware at this time. Torque 12mm bolts to 65 FT.LBS and 10mm bolts to 30 FT.LBS
- 10.** Do periodic inspections to the installation to make sure that all hardware is secure and tight.

3" Bull Bar for  
2002-2009 Chevy Trailblazer /  
2002-2007 GMC Envoy SUV

**To protect your investment**, wax this product after installing. Regular waxing is recommended to add a protective layer over the finish. Do not use any type of polish or wax that may contain abrasives that could damage the finish.

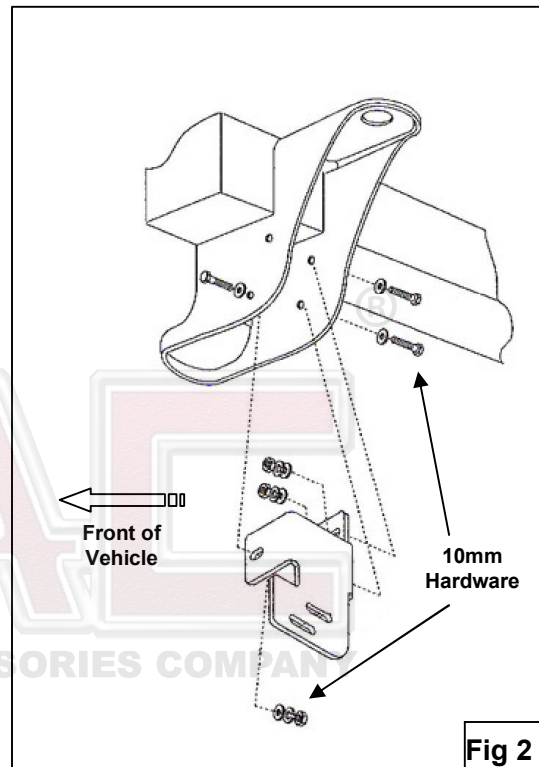
**For stainless steel:** Aluminum polish may be used to polish small scratches and scuffs on the finish. Mild soap may be used also to clean the Sidebar.

**For gloss black finishes:** Mild soap may be used to clean the Sidebar.

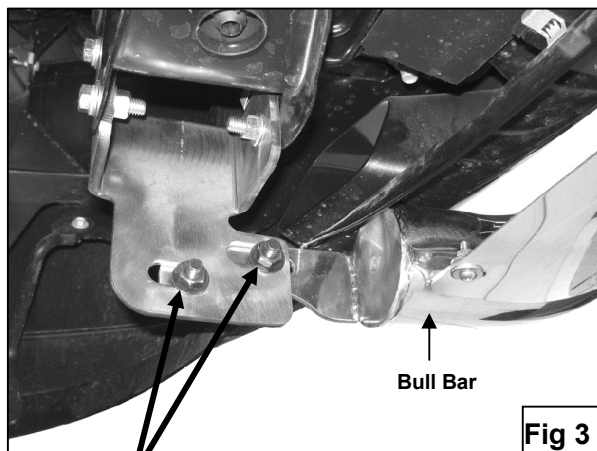


**Fig 1**

- 10mm x 35mm Hex Bolts
- 10mm Lock Washers
- 10mm Hex Nuts
- 10mm Flat Washers

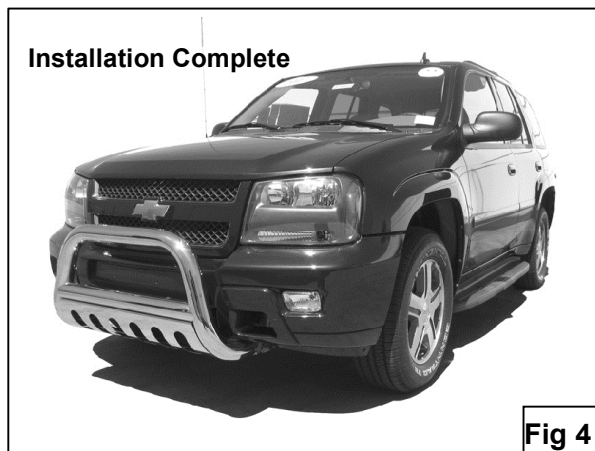


**Fig 2**



**Fig 3**

- 12mm x 35mm Hex Bolts
- 12mm Lock Washers
- 12mm Hex Nuts
- 12mm Flat Washers



**Fig 4**