



INSTALLATION INSTRUCTIONS

BOLT-ON BEDRAIL

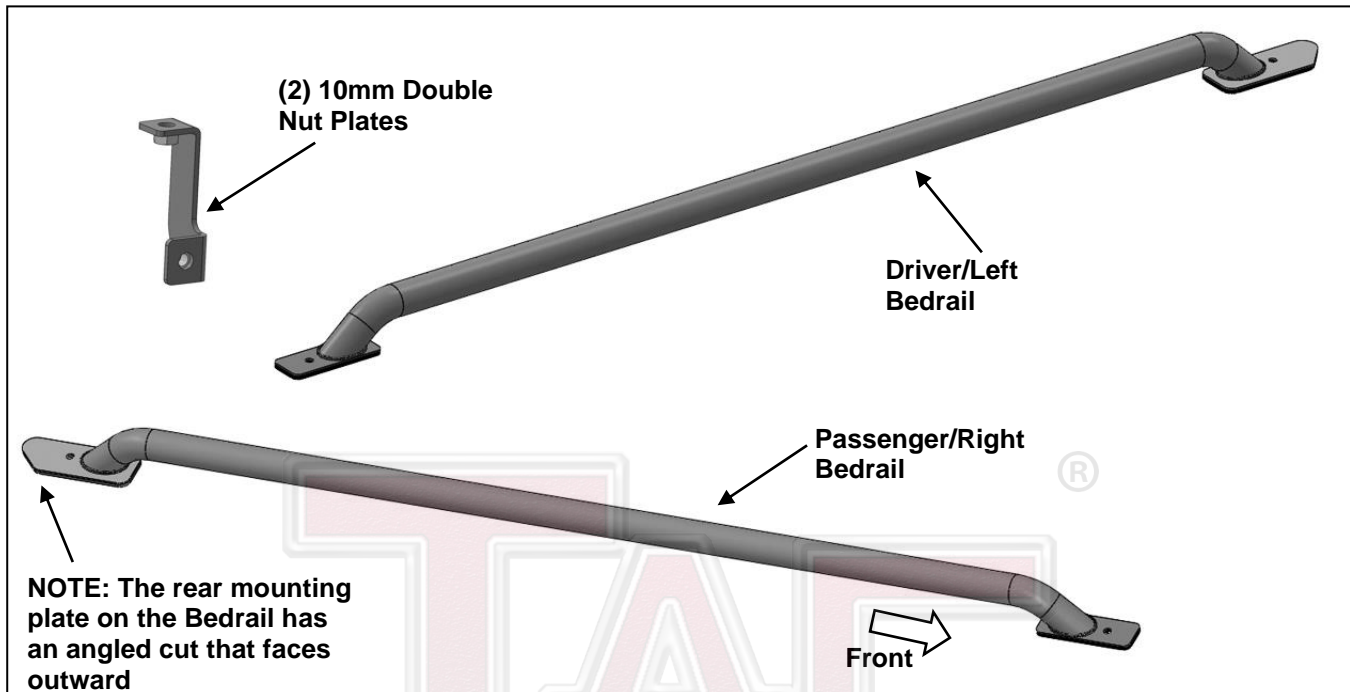
**2014-24 CHEVY SILVERADO/SIERRA 1500 6.5FT STANDARD BED
(Excl. Denali Carbon Pro Editions)**

PART# 602237

TRUCK ACCESSORIES COMPANY

PARTS LIST:

1	Driver/Left Bedrail	2	10mm x 34mm OD x 3mm Flat Washers
1	Passenger/Right Bedrail	4	10mm x 20mm OD x 2mm Flat Washers
2	10mm Double Nuts Plates	6	10mm Lock Washers
2	80mm Rectangular Threaded Plate	1	6mm Hex Wrench
4	10-1.50mmx 50mm Button Head Bolts	1	3mm Hex Wrench
2	10mm x 25mm Hex Bolts		

**PROCEDURE:**

- 1. REMOVE CONTENTS FROM BOX. VERIFY ALL PARTS ARE PRESENT. READ INSTRUCTIONS CAREFULLY BEFORE STARTING INSTALLATION. CUTTING MAY BE REQUIRED. VERIFY BEDRAIL IS CORRECT LENGTH TO COVER STAKE POCKETS BEFORE CUTTING!**
- On models with factory equipped plastic bedside covers, determine if there is a separate removable cover over each of the rear stake pockets. Move to the front of the bed and locate the stake pocket, **(Figure 1)**. Determine the center of the stake pocket. Carefully cut or drill a small opening in the plastic cover in the center of the stake pocket. **WARNING**, verify exact location of stake pocket before drilling/cutting plastic cover or damage to top of bedside may result. Gradually enlarge the opening to the size of the stake pocket only, **(Figure 2)**. **IMPORTANT**, Check factory guide lines molded into the plastic cover before cutting as these lines may not represent the correct location or size of the stake pocket and may be larger than the actual stake pocket opening.
- Select the Passenger/Right Bedrail. Insert (1) 10mm x 50mm Button Head Bolt, (1) 10mm Lock Washer and (1) 10mm Flat Washer through the front mounting plate. Partially thread (1) Threaded Plate onto the Bedrail, **(Figure 3)**.
- Repeat **Step 3** to attach (1) Threaded Plate onto the front plate on the Passenger/Right Bedrail.
- Move to the Passenger/Right rear of the bed. Remove the plug in the side of the bed, **(Figure 4)**. Select (1) 10mm Double Nut Plate. Insert the Nut Plate into the rear stake pocket and attach the bracket to the mounting hole with (1) 10mm x 25mm Hex Bolt, (1) 10mm Lock Washer and (1) 10mm Flat Washer, **(Figures 5—7)**. Do not tighten hardware at this time.
- Repeat **Step 5** to attach (1) 10mm Double Nut Plate to the Passenger/Right side of the vehicle.
- Position the Passenger/Right Bedrail onto the top of the bed. Attach the front of the Bedrail by tilting the Bolt and/or Bedrail until one side of the Plate engages the lip on the pocket. Once one side of the Threaded Plate is in place under the lip, slide the Plate completely into the stake pocket until the

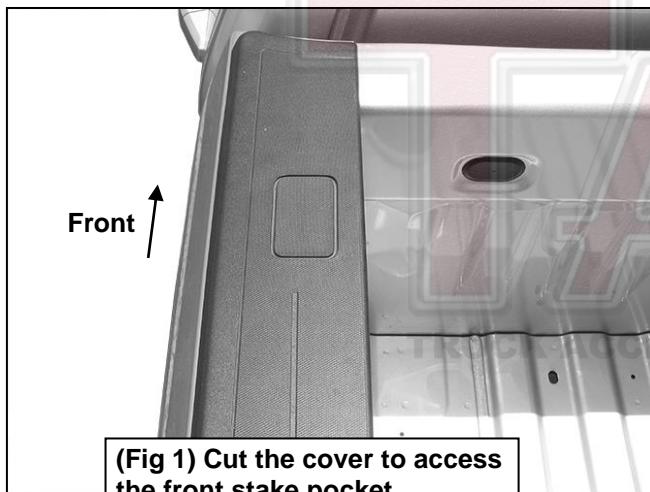
2014-24 CHEVY SILVERADO/SIERRA 1500 6.5FT STANDARD BED(Excl. Denali Carbon Pro Editions)

opposite end of the Plate is in place across the pocket, **(Figures 8 & 9)**. **NOTE:** Threaded Plate can be installed across (preferred) or in line with stake pocket.

8. To tighten the Threaded Plate, pull up on the Bedrail to hold the plate in place and centered across the pocket. Keep pulling up on the Bedrail to prevent the Plate from moving/rotating while tightening the Mounting Bolt. Tighten the Bolt until it is snug but do not fully tighten at this time, **(Figure 9)**.
9. Attach the rear of the Passenger/Right Bedrail to the 10mm Double Nut Plate with (1) 10mm x 50mm Button Head Bolt, (1) 10mm Lock Washer and (1) 10mm Flat Washers, **(Figure 10)**. Do not tighten hardware at this time.
10. Level and adjust the Bedrail and tighten all hardware.
11. Repeat **Steps 7—10** to attach the Driver/Left Bedrail.
12. Do periodic inspections to the installation to make sure that all hardware is secure and tight.

To protect your investment, wax this product after installing. Regular waxing is recommended to add a protective layer over the finish. Do not use any type of polish or wax that may contain abrasives that could damage the finish.

For stainless steel: Aluminum polish may be used to polish small scratches and scuffs on the finish. Mild soap may be used also to clean the Bedrails.



(Fig 1) Cut the cover to access the front stake pocket

Determine location of center of stake pocket before cutting cover. Start with a small hole and gradually enlarge the hole to the size of the stake pocket only. Do not follow lines molded into cover!

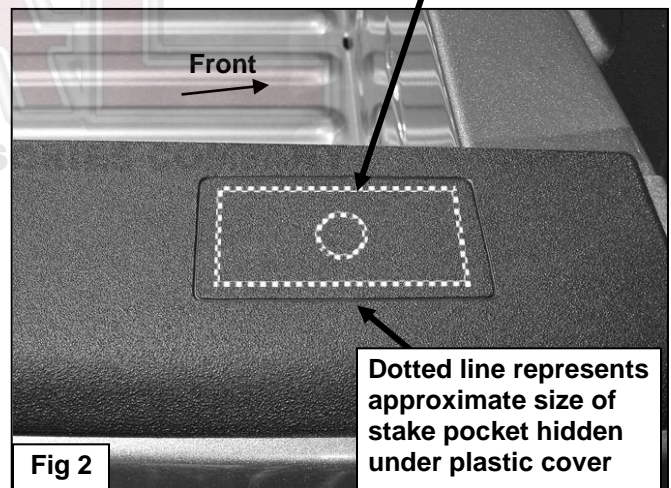
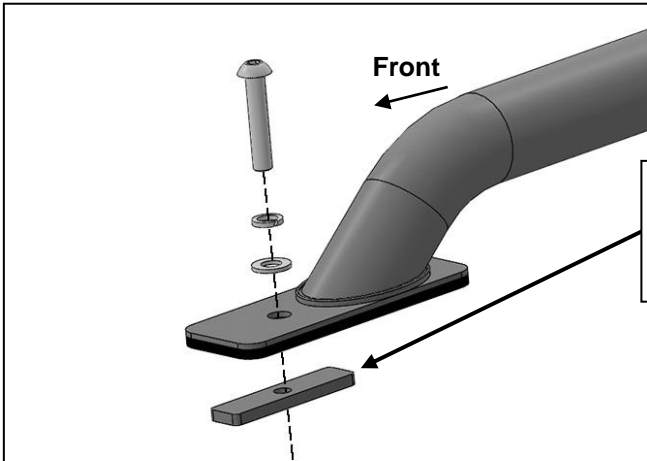


Fig 2

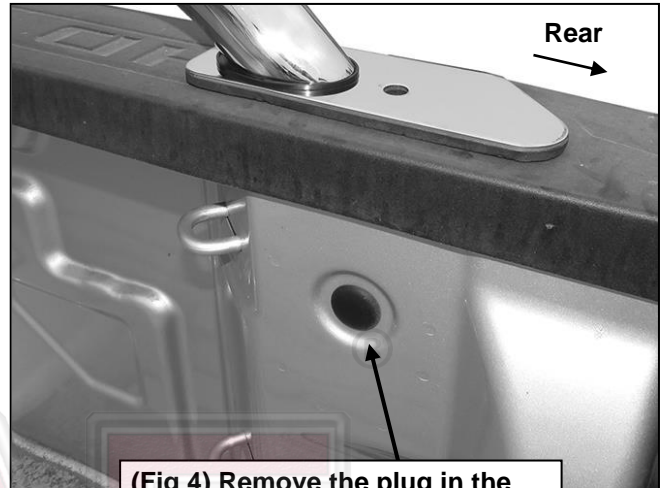
Dotted line represents approximate size of stake pocket hidden under plastic cover

Note that size of stake pocket may be smaller than line molded into cover by factory. Determine location of stake pocket before cutting cover. Picture for example only, actual vehicle may be different.

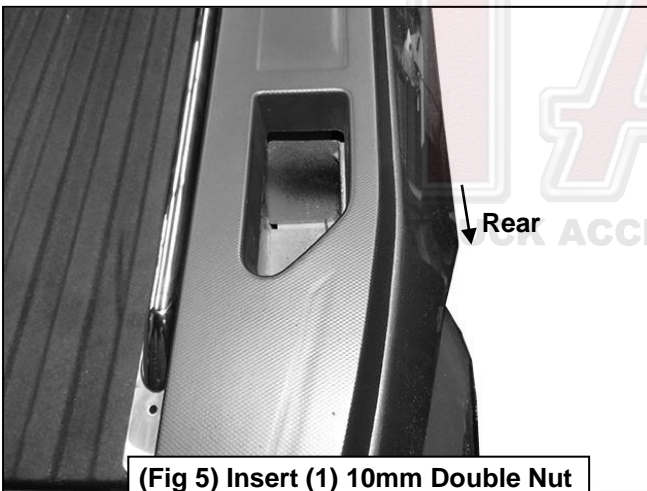


10mm x 50mm Button Head Bolt
10mm Lock Washer
10mm Flat Washer
80mm Rectangular Threaded Plate

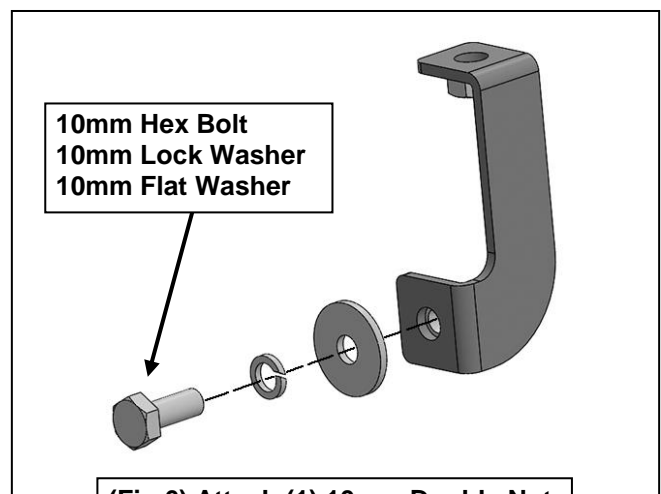
(Fig 3) Attach (1) 8mm Threaded Plate to the front of the Bedrail. (NOTE: Thread Bolt into the Plate until the bolt is flush with the Plate)



(Fig 4) Remove the plug in the hole under the rear stake pocket

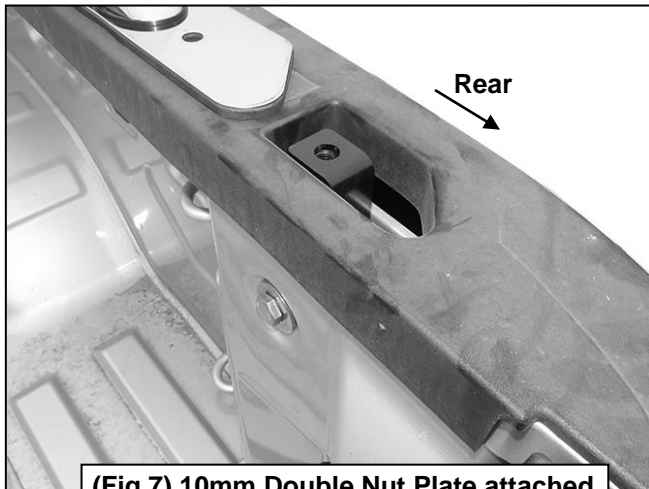


(Fig 5) Insert (1) 10mm Double Nut Plate into the rear stake pocket

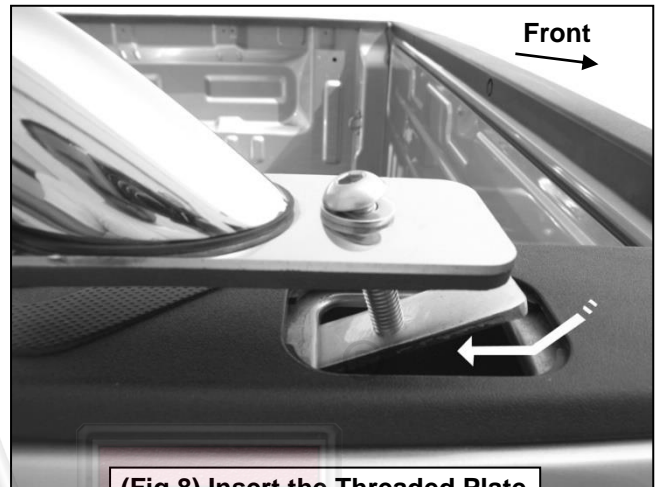


10mm Hex Bolt
10mm Lock Washer
10mm Flat Washer

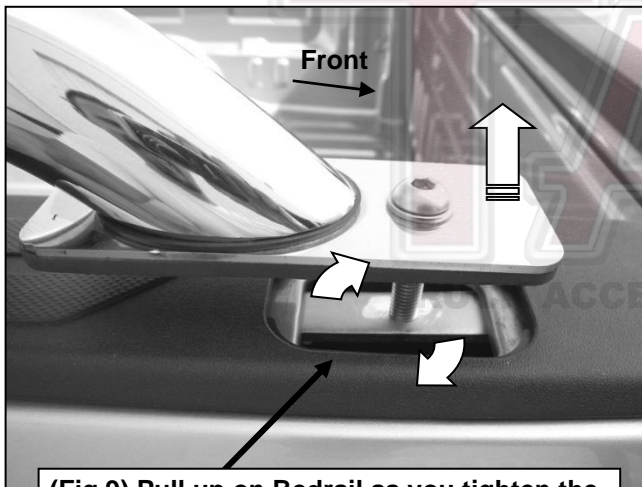
(Fig 6) Attach (1) 10mm Double Nut Plate inside the rear stake pocket



(Fig 7) 10mm Double Nut Plate attached inside the rear stake pocket

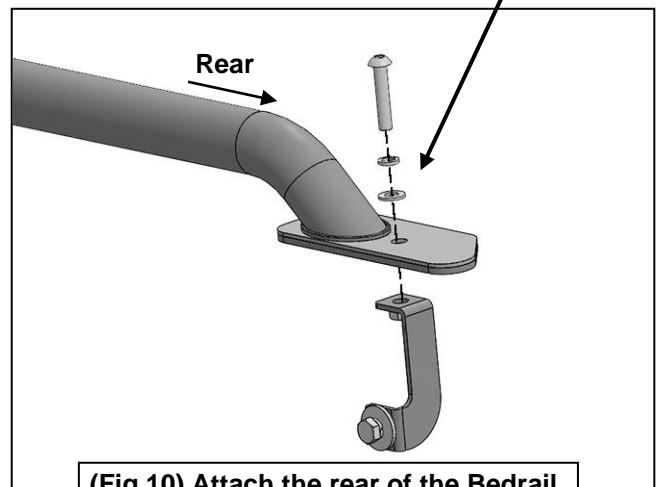


(Fig 8) Insert the Threaded Plate into the front stake pocket



(Fig 9) Pull up on Bedrail as you tighten the mounting screw to hold the threaded plate in place against inside of stake pocket

- 10mm Button Head Bolt
- 10mm Lock Washer
- 10mm Flat Washer



(Fig 10) Attach the rear of the Bedrail to the 10mm Double Nut Plate