



INSTALLATION INSTRUCTIONS

4INCH OVAL STRAIGHT SIDEBARS

2019-2024 DODGE RAM 1500 CREW CAB

(Excl. 2019-2024 Ram 1500 Classic)

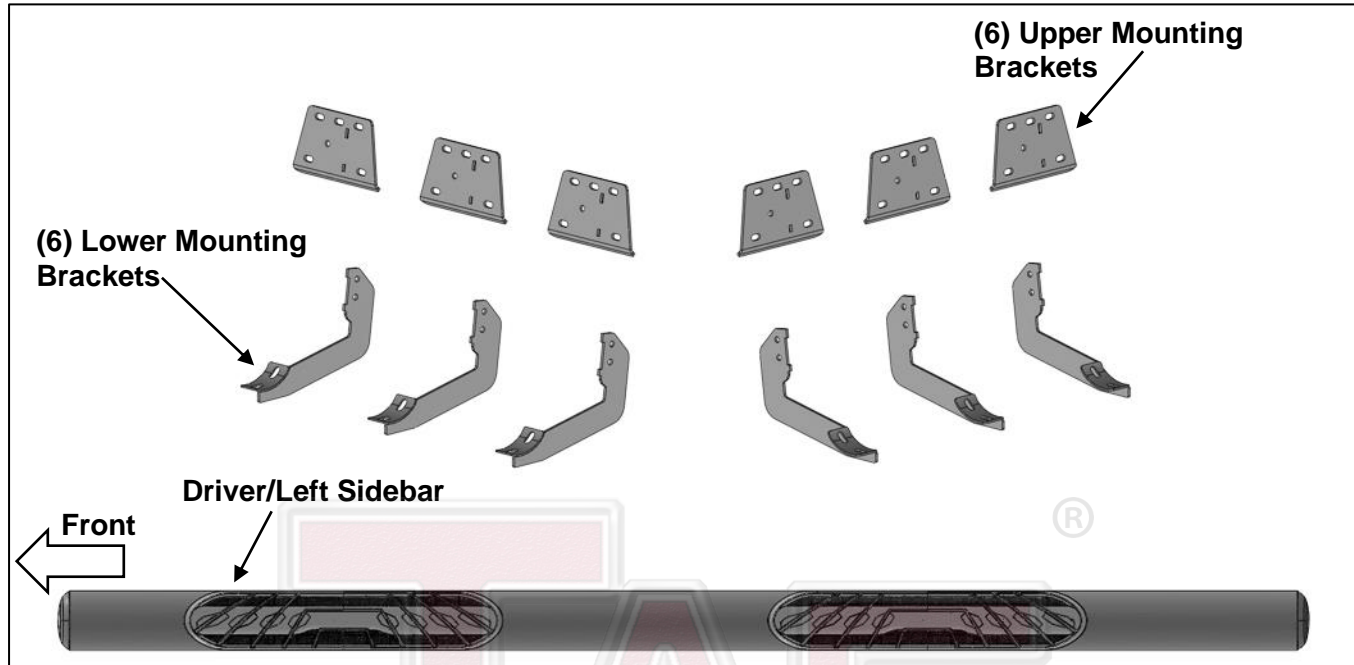
PART# 4S-19D1012-1N

TRUCK ACCESSORIES COMPANY

**UPGRADED 4INCH OVAL STRAIGHT SIDEBARS
2019-24 DODGE RAM 1500 CREW CAB (EXCL. 19-24 RAM 1500 CLASSIC)**

PARTS LIST:

1	Driver/Left Sidebar	12	8mm x 25mm Hex Bolts
1	Passenger/Right Sidebar	18	8mm x 24mm OD x 2mm Flat Washers
6	Upper Mounting Brackets	24	8mm x 16mm OD x 1.6mm Flat Washers
6	Lower Mounting Brackets	30	8mm Nylon Lock Nuts
12	8mm x 25mm Combo Bolts		

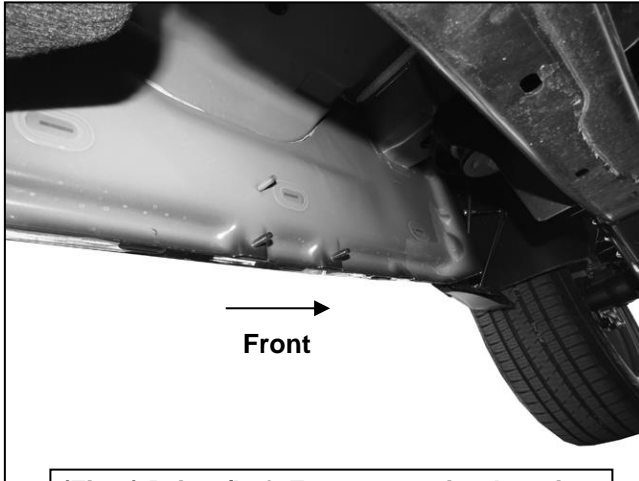


PROCEDURE:

- REMOVE CONTENTS FROM BOX. VERIFY ALL PARTS ARE PRESENT. READ INSTRUCTIONS CAREFULLY BEFORE STARTING INSTALLATION. USE WIRE BRUSH TO CLEAN MOUNTING STUDS OF PAINT AND DEBRIS.**
- Start the installation under the Driver/Left side of the vehicle. Locate the front (3) factory studs along the inner side of the body panel, **(Figure 1)**.
- Select (1) Front Upper Mounting Bracket. Attach the Mounting Bracket to the (3) factory studs with (3) 8mm x 24mm Flat Washers and (3) 8mm Nylon Lock Nuts, **(Figure 2)**. Do not tighten hardware.
- Select (1) Front Lower Mounting Bracket. Attach the Lower Bracket to the short side of the Upper Bracket with (2) 8mm Hex Bolts, (4) 8mm x 16mm Flat Washers and (2) 8mm Nylon Lock Nuts, **(Figure 3)**. Do not tighten hardware.
- Move to the center location, **(Figure 4)**. Repeat **Steps 3 & 4** to attach (1) Upper Mounting Bracket and (1) Lower Mounting Bracket. Do not tighten hardware.
- Move to the rear location, **(Figure 5)**. Repeat **Steps 3 & 4** to attach (1) Upper Mounting Bracket and (1) Lower Mounting Bracket. Do not tighten hardware.
- Select the Driver/Left Sidebar. With assistance, place the Step onto the (3) Mounting Brackets. **IMPORTANT:** Do not rotate or slide on the Brackets or damage to the finish may result. Attach the Sidebar to the Mounting Brackets with (6) 8mm Combo Bolts, **(Figure 6)**. Do not tighten hardware.
- Level and adjust the Rocker Step as necessary, then fully tighten all hardware.
- Repeat **Steps 1—8** to attach the Passenger/Right Sidebar.
- Do periodic inspections to the installation to make sure that all hardware is secure and tight.

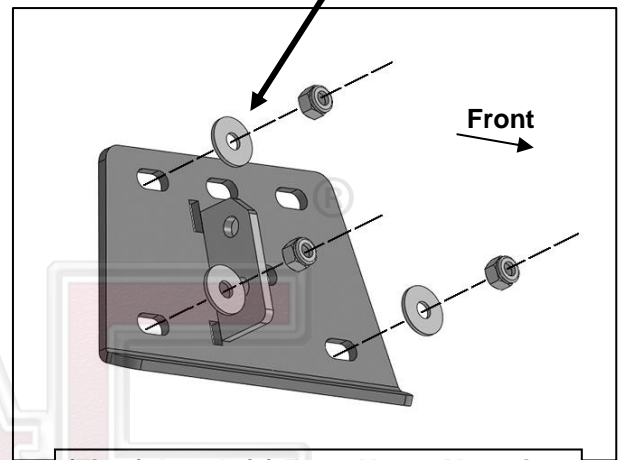
To protect your investment; Do not use any type of polish or wax that may contain abrasives that could damage the finish. Mild soap may be used also to clean the Sidebars.

**UPGRADED 4INCH OVAL STRAIGHT SIDEBARS
2019-24 DODGE RAM 1500 CREW CAB (EXCL. 19-24 RAM 1500 CLASSIC)
Driver/Left Side Installation Pictured**



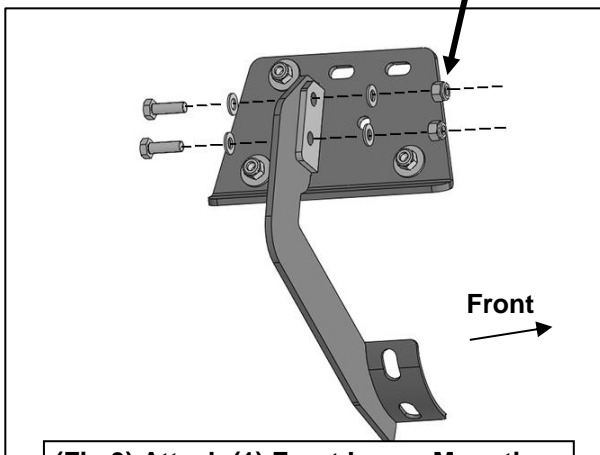
(Fig 1) Driver/Left Front mounting location

- (3) 8mm x 24mm Flat Washers**
- (3) 8mm Nylon Lock Nuts**



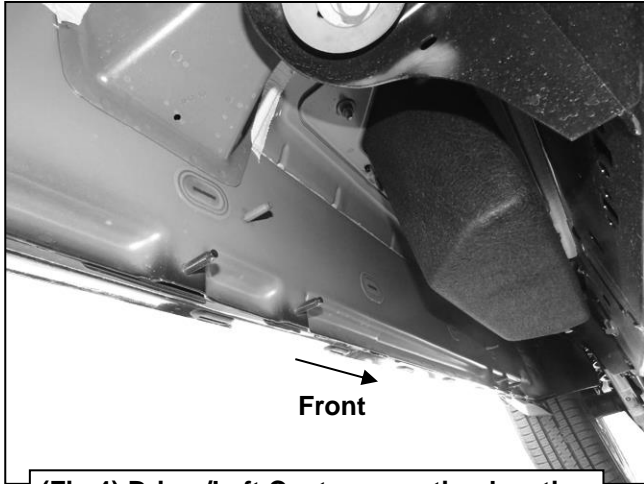
(Fig 2) Attach (1) Front Upper Mounting Bracket to the threaded studs

- (2) 8mm Hex Bolts**
- (4) 8mm x 16mm Flat Washers**
- (2) 8mm Nylon Lock Nuts**

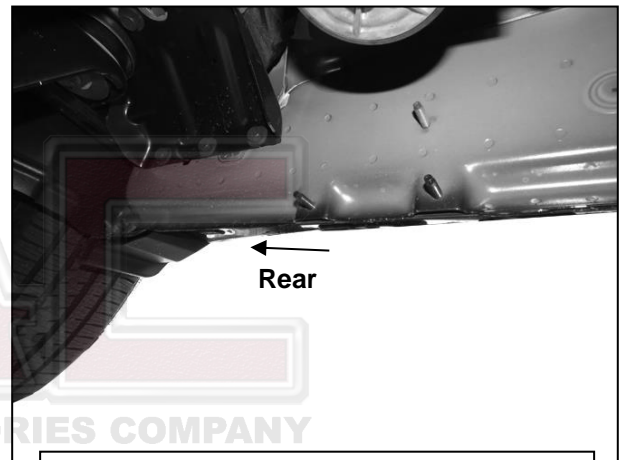


(Fig 3) Attach (1) Front Lower Mounting Bracket to the Upper Mounting Bracket

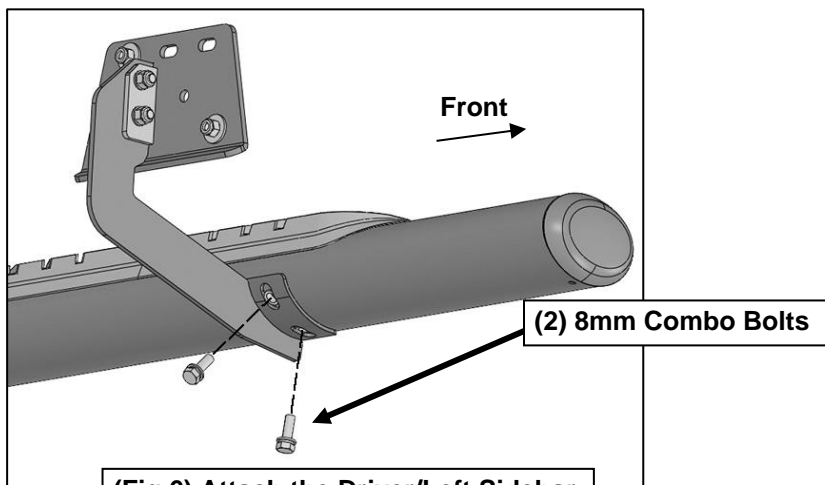
**UPGRADED 4INCH OVAL STRAIGHT SIDEBARS
2019-24 DODGE RAM 1500 CREW CAB (EXCL. 19-24 RAM 1500 CLASSIC)
Driver/Left Side Installation Pictured**



(Fig 4) Driver/Left Center mounting location



(Fig 5) Driver/Left Rear mounting location



**(Fig 6) Attach the Driver/Left Sidebar
to the (3) Mounting Brackets**