



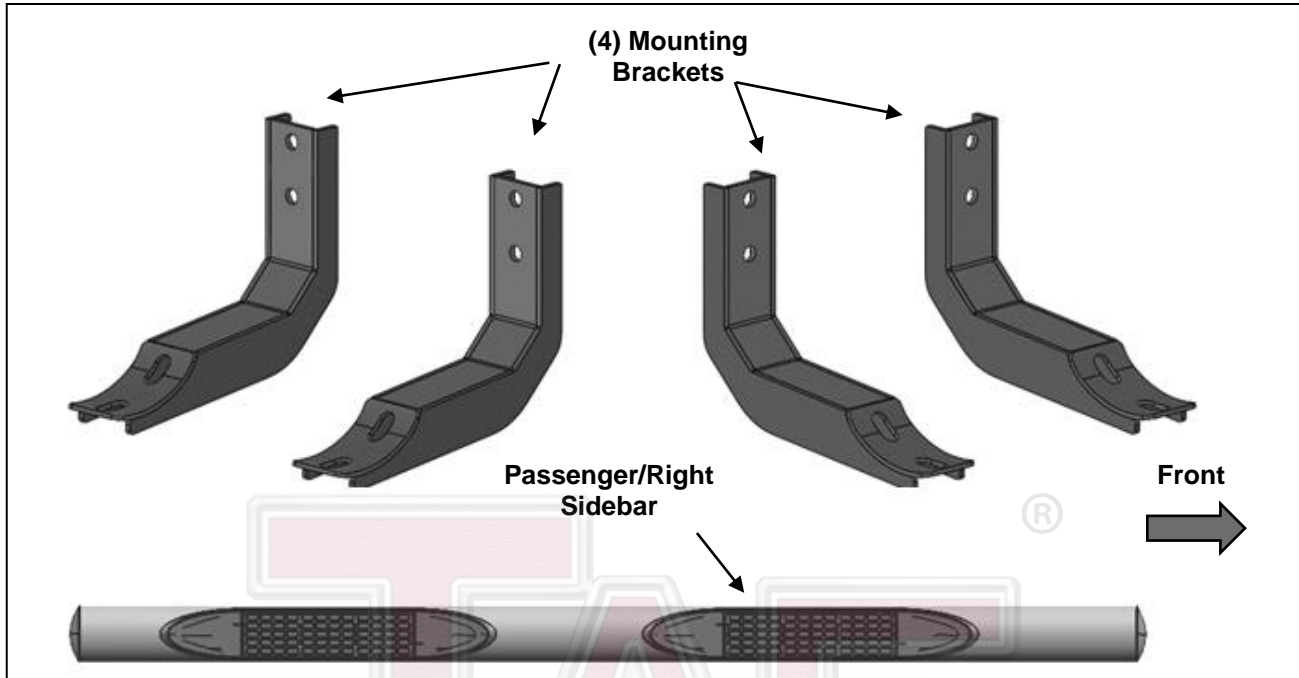
## **INSTALLATION INSTRUCTIONS**

**4INCH OVAL STRAIGHT SIDEBAR  
2005-2024 NISSAN FRONTIER CREW CAB  
PART# 440900-1**

**TRUCK ACCESSORIES COMPANY**

**PARTS LIST:**

1	Driver/Left Sidebar	8	8mm Lock Washers
1	Passenger/Right Sidebar	8	8mm x 24mm OD x 2mm Flat Washers
4	Mounting Brackets	8	8mm Hex Nuts
8	8mm x 25mm Combo Bolts		

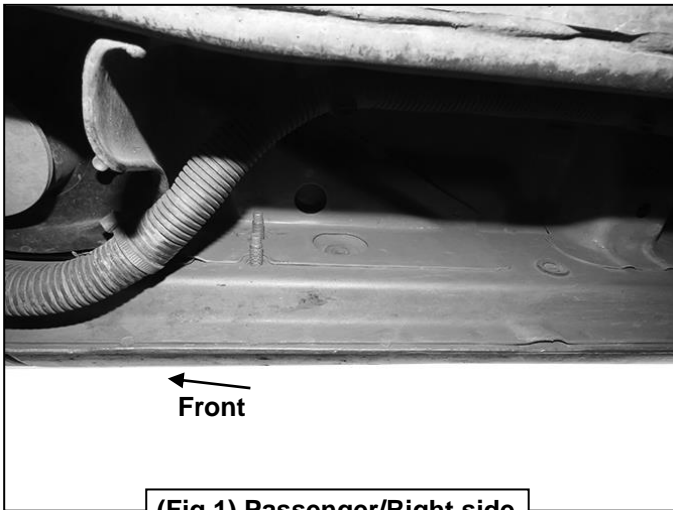


**PROCEDURE:**

1. REMOVE CONTENTS FROM BOX. VERIFY ALL PARTS ARE PRESENT. READ INSTRUCTIONS CAREFULLY. CLEAN MOUNTING STUDS WITH WIRE BRUSH TO REMOVE PAINT AND DEBRIS.
2. Starting on the Passenger/Right side front of the vehicle, **(Figure 1)**. Attach (1) Mounting Bracket to the front location with (2) 8mm Flat Washers and (2) 8mm Flange Nuts, **(Figure 2)**. Do not tighten hardware.
3. Repeat **Step 2** to attach (1) Mounting Bracket to the Passenger/Right rear location, **(Figure 3)**.
4. Select the Passenger/Right Sidebar. Carefully place Sidebar on the Mounting Brackets. **IMPORTANT:** Do not slide or rotate Sidebar on cradles, or damage to the finish may result. Attach Sidebar to the Mounting Brackets with (4) 8mm Combo Bolts, **(Figure 4)**. Do not tighten hardware.
5. Level and adjust the Sidebar and tighten all hardware.
6. Repeat **Steps 1—5** to attach the Driver/Left Sidebar.
7. Do periodic inspections to the installation to make sure that all hardware is secure and tight.

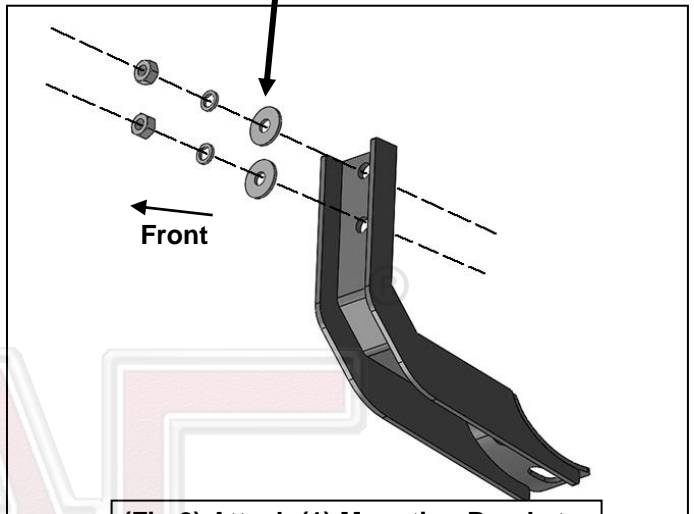
**To protect your investment,** Do not use any type of polish or wax that may contain abrasives that could damage the finish. Mild soap may be used to clean the Sidebars.

### Passenger/Right Side Installation Pictured

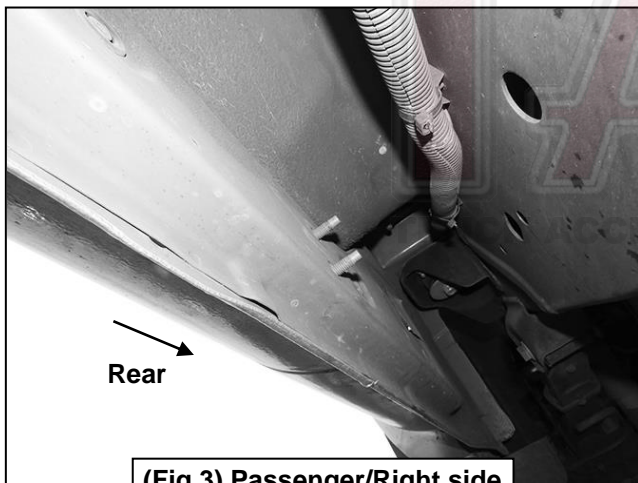


(Fig 1) Passenger/Right side front mounting location

- (2) 8mm Flat Washers
- (2) 8mm Lock Washers
- (2) 8mm Hex Nuts

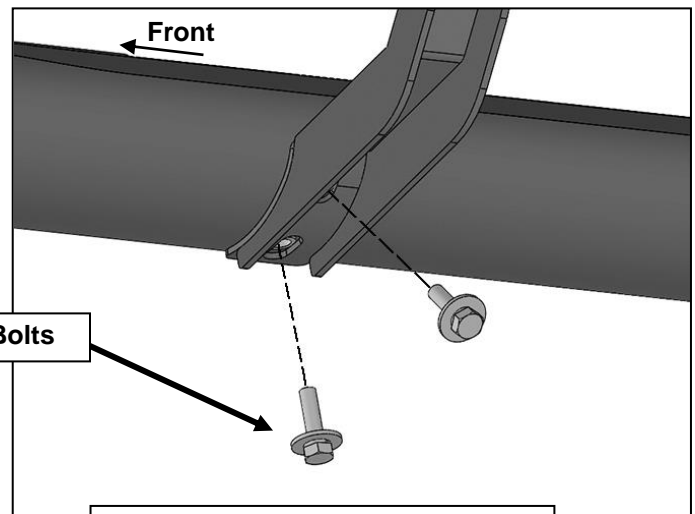


(Fig 2) Attach (1) Mounting Bracket to the Passenger/Right front location



(Fig 3) Passenger/Right side rear mounting location

- (2) 8mm Combo Bolts



(Fig 4) Attach the Passenger/Right Sidebar to the Mounting Brackets