



INSTALLATION INSTRUCTIONS

4INCH SIDEBAR

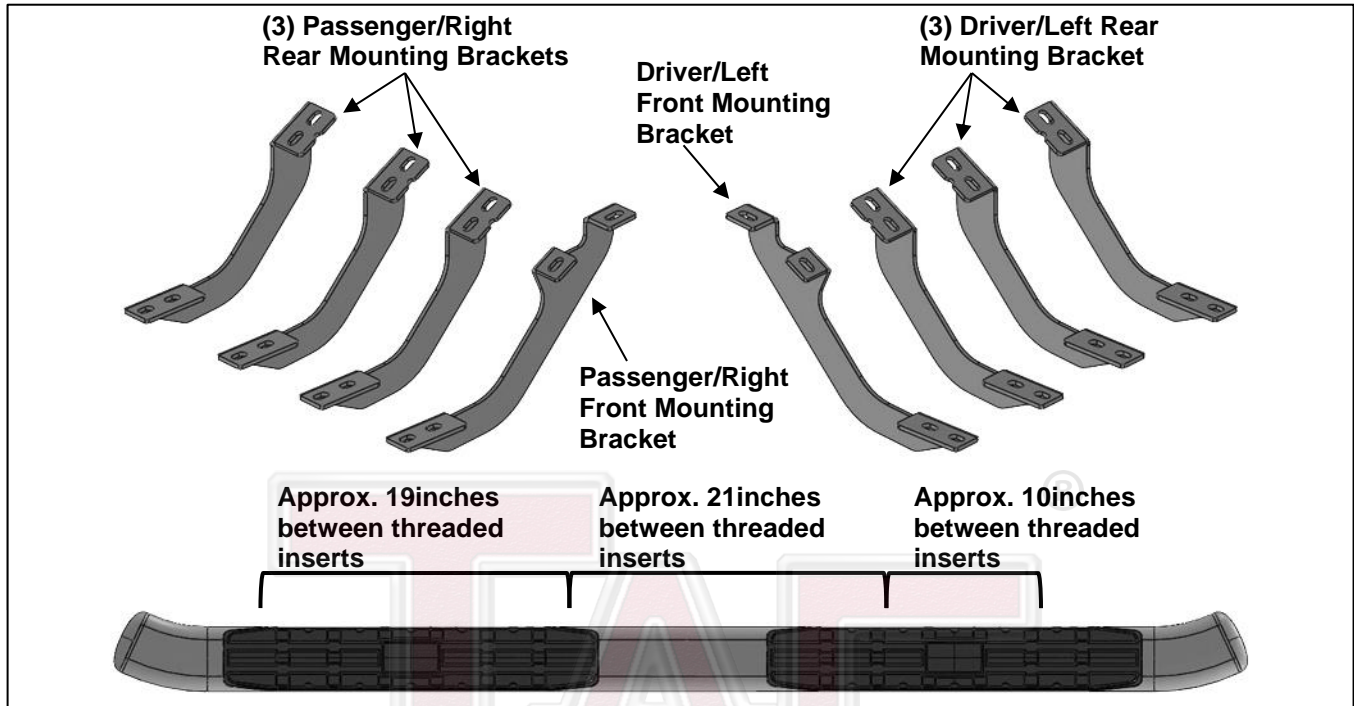
2022-2024 TOYOTA TUNDRA DOUBLE CAB

PART# 40-33140T

TRUCK ACCESSORIES COMPANY

PARTS LIST:

1	Driver/Left Sidebar	3	Passenger/Right Rear Mounting Brackets
1	Passenger/Right Sidebar	16	8mm x 30mm Hex Bolts
1	Driver/Left Front Mounting Bracket	16	8mm x 24mm OD x 2mm Flat Washers
1	Passenger/Right Front Mounting Bracket	16	8mm Lock Washers
3	Driver/Left Rear Mounting Brackets	16	8mm x 25mm Combo Bolts



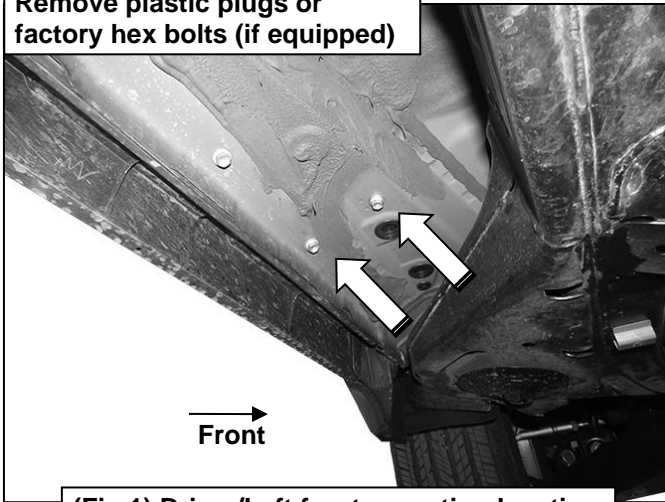
PROCEDURE:

1. REMOVE CONTENTS FROM BOX. VERIFY ALL PARTS ARE PRESENT. READ INSTRUCTIONS CAREFULLY. USE ILLUSTRATION TO IDENTIFY BRACKETS AND SIDE STEPS.
2. Starting on the Driver/Left front of the vehicle, remove the plastic plugs or hex bolts covering the (2) threaded holes in the floor panel, **(Figure 1)**.
3. Select Driver/Left Front Mounting Bracket, **(Figure 2)**. Attach the Bracket to the panel with (2) 8mm Hex Bolts, (2) 8mm Lock Washers and (2) 8mm Flat Washers, **(Figure 2)**. Do not tighten hardware.
4. Next, move to the second mounting location, **(Figure 3)**. Select (1) Rear Mounting Bracket. Repeat **Step 3** to attach the Bracket to the floor panel, **(Figure 4)**.
5. Continue to the rear mounting location, **(Figure 5)**. Repeat **Step 3** to attach (1) Rear Mounting Bracket to the floor panel.
6. Select the Driver/left PNC Sidebar. Place the Sidebar onto the cradles of the Mounting Brackets. **IMPORTANT:** Do not rotate or slide the Sidebar front to back or damage to the finish may result. Attach the Sidebar to the Mounting Brackets with (8) 8mm Combo Bolts, **(Figure 6)**. Do not tighten hardware.
7. Level and adjust the Running Board as necessary and fully tighten all hardware.
8. Repeat **Steps 2—7** to attach the Passenger/Right Running Board.
9. Do periodic inspections to the installation to make sure that all hardware is secure and tight.

To protect your investment, Do not use any type of polish or wax that may contain abrasives that could damage the finish. Mild soap may be used to clean the Sidebars.

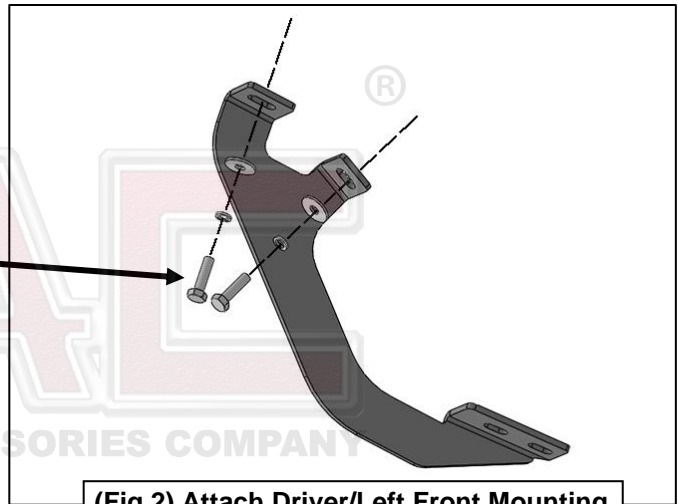
Driver/Left Side Installation Pictured

Remove plastic plugs or
factory hex bolts (if equipped)

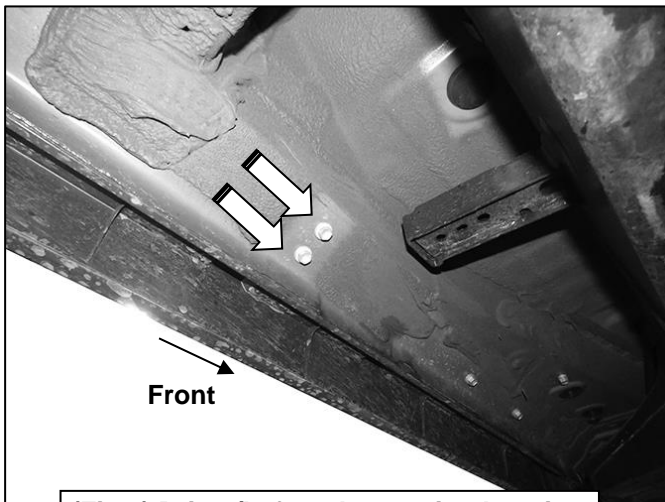


(Fig 1) Driver/Left front mounting location

- (2) 8mm Hex Bolts
- (2) 8mm Lock Washers
- (2) 8mm Flat Washers



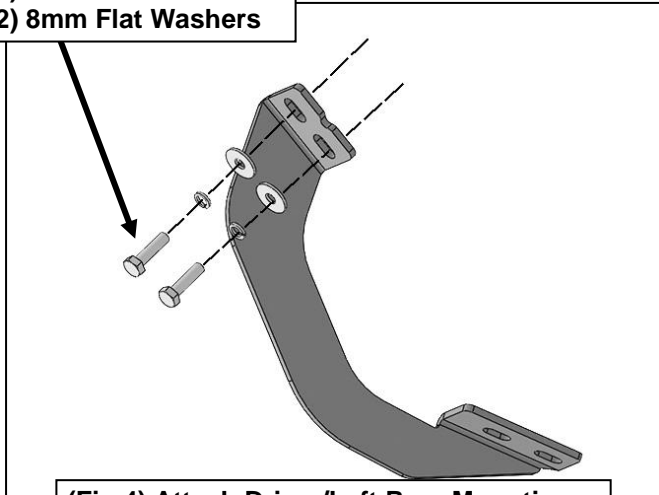
(Fig 2) Attach Driver/Left Front Mounting
Bracket to the floor panel



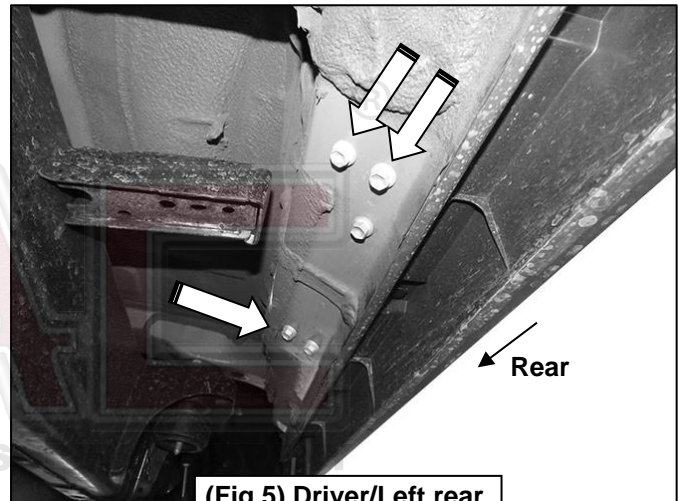
(Fig 3) Driver/Left 2nd mounting location

Driver/Left Side Installation Pictured

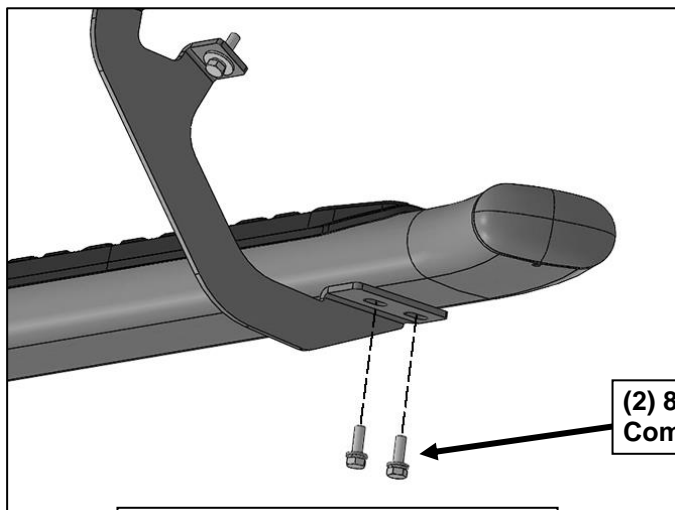
- (2) 8mm Hex Bolts
- (2) 8mm Lock Washers
- (2) 8mm Flat Washers



(Fig 4) Attach Driver/Left Rear Mounting Bracket to the floor panel



(Fig 5) Driver/Left rear mounting locations



(Fig 6) Attach Driver/Left Sidebar to the Mounting Brackets

- (2) 8mm Combo Bolts