



INSTALLATION INSTRUCTIONS

PINNACLE 4" BENT END SIDE STEPS

2024-ON TACOMA DOUBLE CAB

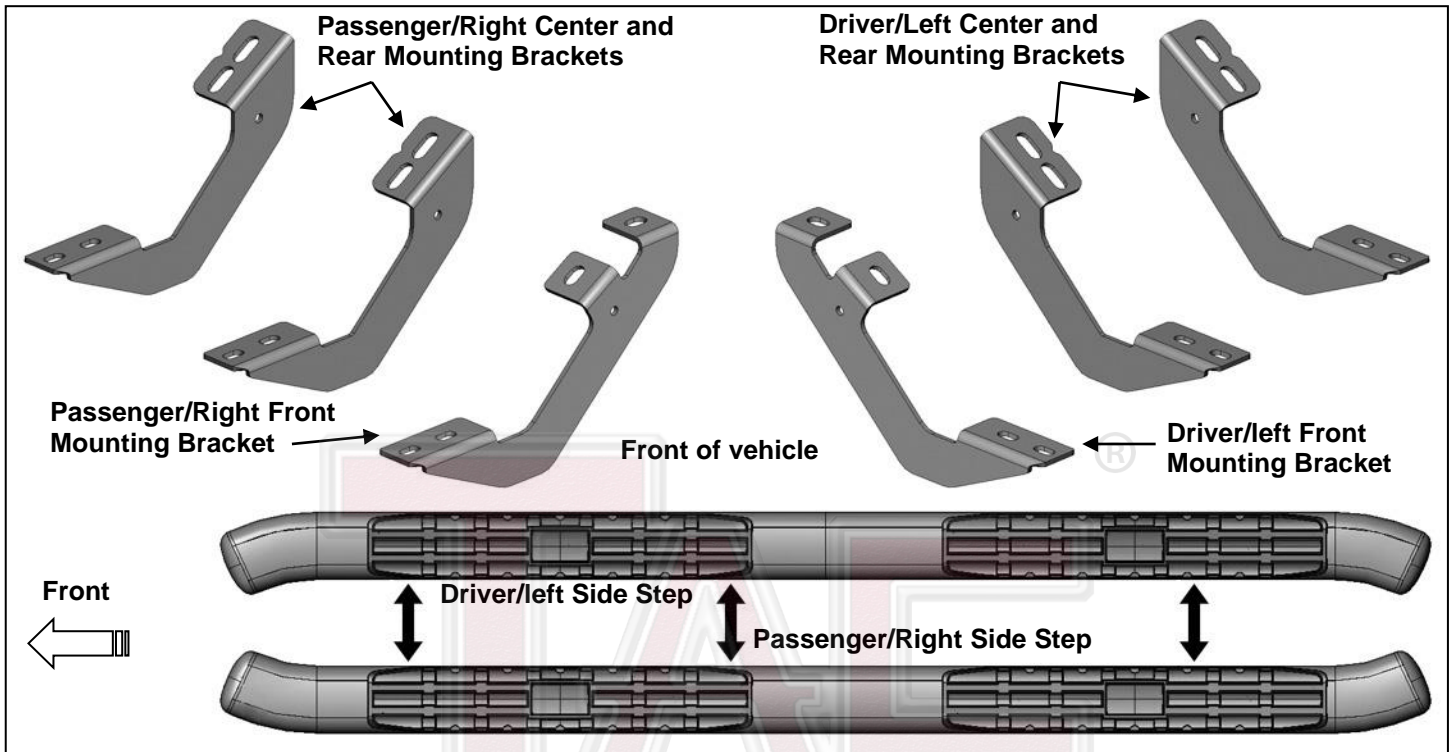
PART# 40-30920T

TRUCK ACCESSORIES COMPANY

**PINNACLE 4" BENT END SIDE STEPS
2024-ON TACOMA DOUBLE CAB**

PARTS LIST:

1	Driver/left Side Step	12	8-1.25mm x 25mm Combination Bolts
1	Passenger/right Side Step	12	8-1.25mm x 30mm Hex Bolts
1	Driver/left Front Mounting Bracket	12	8mm x 24mm x 2mm Flat Washers
1	Passenger/right Front Mounting Bracket	12	8mm Lock Washers
2	Driver/left Center/rear Mounting Brackets		
2	Passenger/right Center/rear Mounting Brackets		



PROCEDURE:

- 1. REMOVE CONTENTS FROM BOX. VERIFY ALL PARTS ARE PRESENT. READ INSTRUCTIONS CAREFULLY. USE ILLUSTRATION TO PROPERLY IDENTIFY BRACKETS AND SIDEBARS.**
- Starting on the passenger/right front of the vehicle, remove the plastic plugs or hex bolts filling the threaded holes in the body panel, **(Figure 1)**. Select the passenger/right Front Mounting Bracket, **(Figure 2)**. Attach the Bracket to the vehicle with the included (2) 8mm x 30mm Hex Bolts, (2) 8mm Lock Washers and (2) 8mm Flat Washers. Do not tighten hardware at this time.
- Move along the side of the vehicle to the next or center mounting location, **(Figure 1)**. Select (1) passenger/right Center/rear Mounting Bracket, **(Figure 3)**. Repeat **Step 2** for center Mounting Bracket installation. **IMPORTANT:** The Center and Rear Brackets are the same. Properly identify all Brackets before installing.
- Move to the last mounting location at the rear of the cab, **(Figure 1)**. Select the remaining passenger/right Center/rear Bracket, **(Figure 3)**. Repeat the previous **Steps** for Rear Mounting Bracket installation.
- Carefully place the passenger/right Side Step onto the Brackets. **IMPORTANT:** Do not slide, (front to back or rotate), the Side Step on the Brackets or damage to the finish may result. Align the inserts in the bottom of the Side Step with the slots on the Mounting Brackets.
- Attach the Side Step to the front Mounting Bracket with the included (2) 8mm x 25mm Combination Hex Bolts, **(Figures 4 & 5)**. Do not tighten hardware at this time.

**PINNACLE 4" BENT END SIDE STEPS
2024-ON TACOMA DOUBLE CAB**

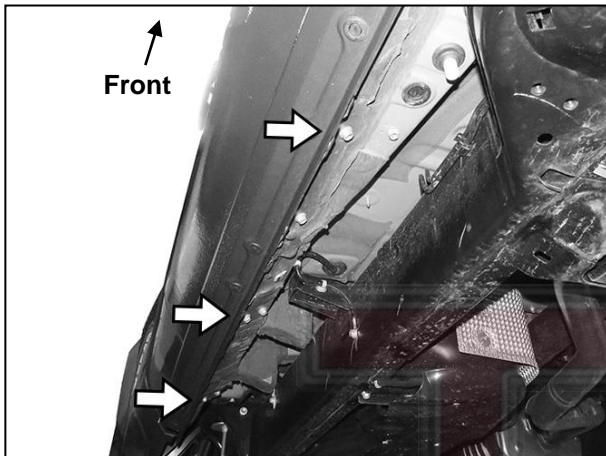
7. Attach the Side Step to the center and rear Mounting Brackets with the included (4) 8mm x 25mm Combination Hex Bolts, (**Figures 6 & 7**). Do not tighten hardware at this time.
8. Level and adjust the Side Step properly and tighten all hardware.
9. Repeat **Steps 2—8** for driver/left Side Step installation.
10. Do periodic inspections to the installation to make sure that all hardware is secure and tight.

To protect your investment, wax this product after installing. Regular waxing is recommended to add a protective layer over the finish. Do not use any type of polish or wax that may contain abrasives that could damage the finish.

For stainless steel: Aluminum polish may be used to polish small scratches and scuffs on the finish. Mild soap may be used also to clean the Side Step.

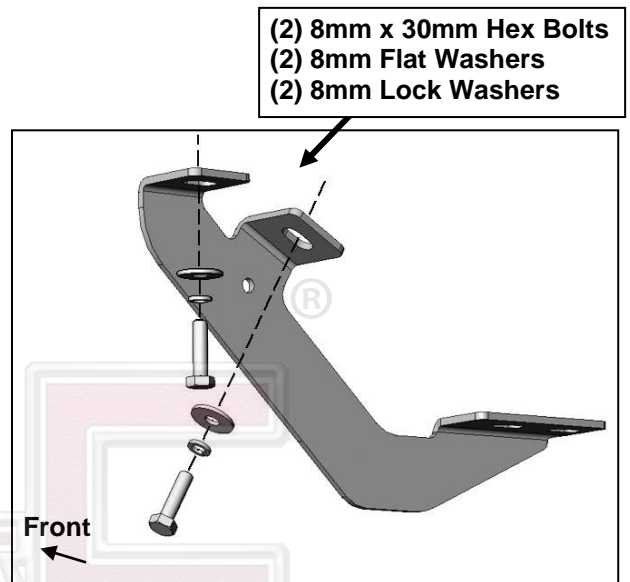
For gloss black finishes: Mild soap may be used to clean the Side Step.

Passenger/right Side Installation Pictured

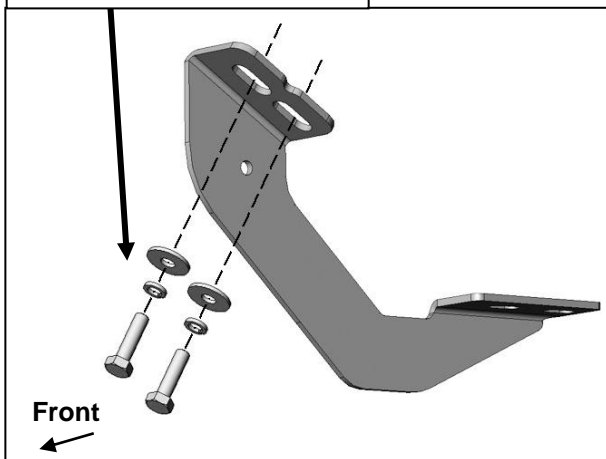


(Fig 1) Passenger/right side mounting locations (arrows). Remove factory hex bolts from threaded holes as pictured

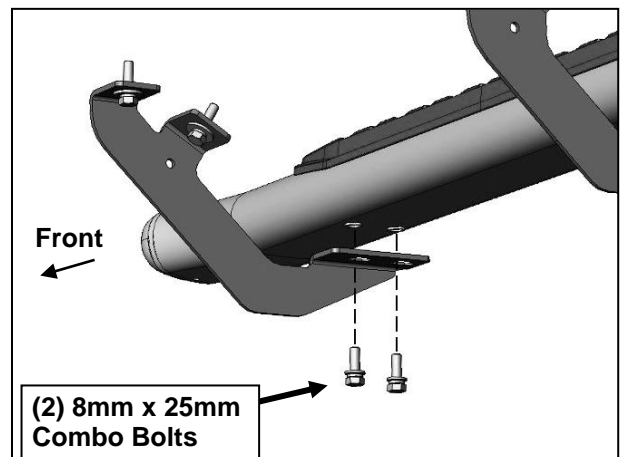
- (2) 8mm x 30mm Hex Bolts
- (2) 8mm Flat Washers
- (2) 8mm Lock Washers



(Fig 2) Attach passenger/right front Mounting Bracket to front location



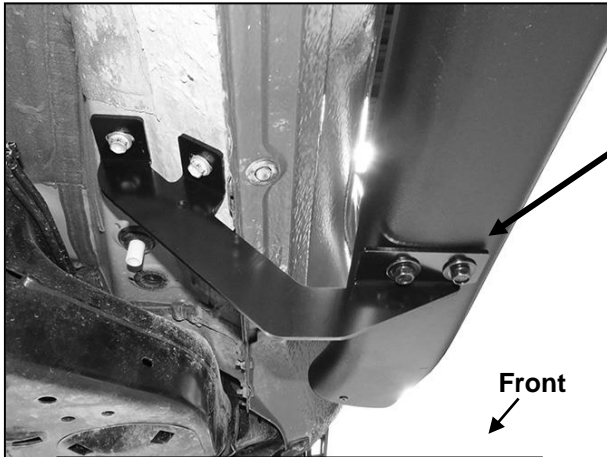
(Fig 3) Attach passenger/right Center/rear Mounting Brackets



(Fig 4) Attach passenger/right Side Step to front Mounting Bracket

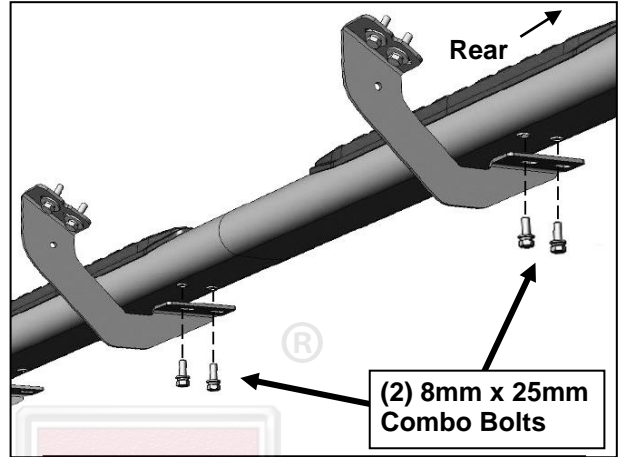
**PINNACLE 4" BENT END SIDE STEPS
2024-ON TACOMA DOUBLE CAB**

Passenger/right Side Installation Pictured



(2) 8mm x 25mm
Combo Bolts

**(Fig 5) Passenger/right Side Step
attached to Front Mounting Bracket**



(2) 8mm x 25mm
Combo Bolts

**(Fig 6) Attach passenger/right Side Step
to Center & Rear Mounting Brackets**



**(Fig 7) Passenger/right Side Step
attached to Center and Rear Mounting Brackets**



Complete Installation

