



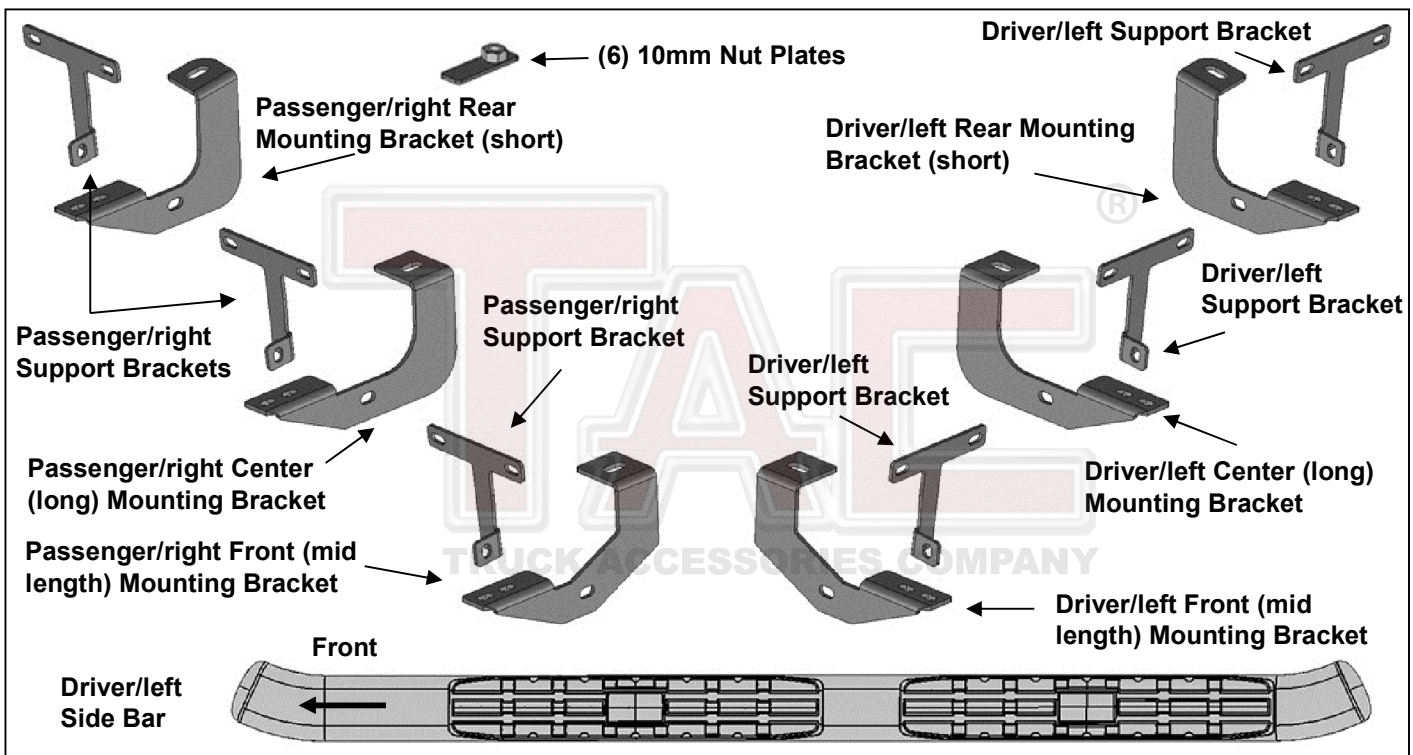
INSTALLATION INSTRUCTIONS

**TEXTURE BLACK PNC SIDE STEP
07-18 JEEP WRANGLER 4 DOOR
PART#40-21900T**

TRUCK ACCESSORIES COMPANY

Parts List

1	Driver/Left Side Step	6	10-1.5mm x 30mm Hex Bolts
1	Passenger/Right Side Step	18	10mm x 30mm OD x 2.5mm Flat Washers
1	Driver/Left Front Mounting Bracket (medium length)	12	10mm Lock Washers
1	Passenger/Right Front Mounting Bracket (medium length)	6	10mm Hex Nuts
1	Driver/Left Center Mounting Bracket (long)	6	8-1.25mm x 35mm Hex Bolts
1	Passenger/Right Center Mounting Bracket (long)	6	8mm x 28mm OD x 3mm Flat Washers
1	Driver/Left Rear Mounting Bracket (short)	6	8mm Lock Washers
1	Passenger/Right Rear Mounting Bracket (short)	12	8mm Combo Bolts
3	Driver/Left Support Brackets	12	6-1.0mm x 25mm Hex Bolts
3	Passenger/Right Support Brackets	24	6mm x 22mm OD x 2mm Flat Washers
6	10mm Nut Plates	12	6mm Nylon Lock Nuts
6	10-1.5mm x 35mm Hex Bolts		



PROCEDURE:

1. REMOVE CONTENTS FROM BOX. VERIFY ALL PARTS ARE PRESENT. READ INSTRUCTIONS CAREFULLY BEFORE STARTING INSTALLATION. FACTORY INSTALLED OR AFTERMARKET "ROCK RAILS," SIDE STEPS OR RUNNING BOARDS MUST BE REMOVED.
2. Start installation toward the front of the passenger side of the vehicle. Locate the (3) pairs of factory mounting holes along the pinch weld, (Figure 1).
3. Select (1) Passenger/right Support Bracket. Attach the top of the Support Bracket to the back of the pinch weld with (2) 6mm x 25mm Hex Bolts, (4) 6mm Flat Washers and (2) 6mm Nylon Lock Nuts, (Figures 2, 8 & 13). Leave loose at this time.
4. Determine if the vehicle has an open floor panel, (Figure 3), or a threaded hole in the floor panel at the passenger front mounting location, (Figure 5). Remove any insulation that may be covering the mounting locations. **NOTE:** The top mounting location will be between the two factory holes in the pinch weld, (Figure 3).
5. Select the passenger side front Bracket, (Figures 6 & 7). **VERY IMPORTANT:** The 6 Mounting Brackets look very similar. Use the instructions to properly identify the unique front, (Figure 6), center, (Figure 9), and rear Brackets, (Figure 11), for either side of the vehicle.

Vehicles with open mounting location: Insert (1) 10mm Nut Plate into the large square opening in the floor panel, (**Figures 4A & 4B**). Attach the front Bracket to the Nut Plate with (1) 10mm x 35mm Hex Bolt, (1) 10mm Lock Washer and (1) 10mm Flat Washer, (**Figures 7 & 13**). Leave loose.

Vehicles with factory threaded hole in floor panel: Attach the Bracket to the threaded hole in the floor panel with (1) 8mm x 35mm Hex Bolt, (1) 8mm Lock Washer and (1) 8mm x 28mm OD Large Flat Washer, (**Figures 5, 7 & 13**). Do not tighten hardware.

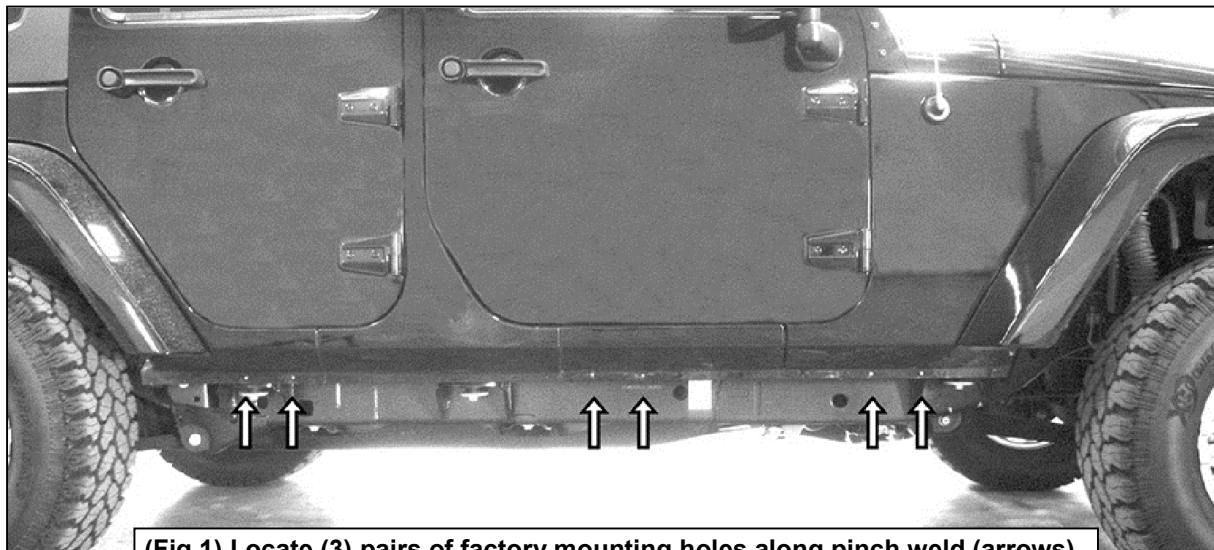
6. Line up the mounting tab on the Support Bracket with the back of the Mounting Bracket. Attach the Support Bracket to the Mounting Bracket with (1) 10mm x 30mm Hex Bolt, (2) 10mm Flat Washers, (1) 10mm Lock Washer and (1) 10mm Hex Nut, (**Figures 8 & 13**). Do not tighten hardware.
7. Repeat **Steps 2—6** to install the longer Center Bracket and Support Bracket, (**Figures 9, 10 & 14**).
8. Repeat **Steps 2—6** to install the rear Bracket and Support Bracket. **NOTE:** Top mounting tab on rear Bracket features a radius on the corner to help identify. Use the instructions to correctly identify the Brackets, (**Figures 11, 12 & 15**).
9. Select the passenger/right sidebar. Carefully position the Sidebar onto the (3) Mounting Brackets. **IMPORTANT:** Do not slide, (front to back or rotate), the Sidebar on the Brackets or damage to the finish on the Sidebar may result. Attach the Sidebar to the Mounting Brackets with (6) 8mm x 25mm Combination Hex Bolts, (**Figures 13—15**). Do not tighten hardware. **NOTE:** Mounting cradles on Brackets should be inline and pointing toward the rear of the vehicle for proper installation. Snug all hardware but do not tighten at this time.
10. Adjust and level the Sidebar and tighten all hardware.
11. Repeat **Steps 1—10** for driver/left Sidebar installation.
12. Do periodic inspections to the installation to make sure that all hardware is secure and tight.

To protect your investment, wax this product after installing. Regular waxing is recommended to add a protective layer over the finish. Do not use any type of polish or wax that may contain abrasives that could damage the finish.

For stainless steel: Aluminum polish may be used to polish small scratches and scuffs on the finish. Mild soap may be used to clean the Side Step.

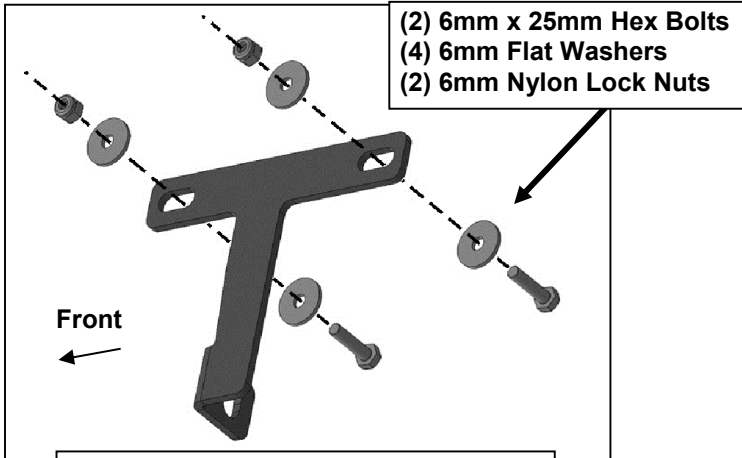
For gloss black finishes: Mild soap may be used to clean Side Step.

Passenger Side Installation Pictured

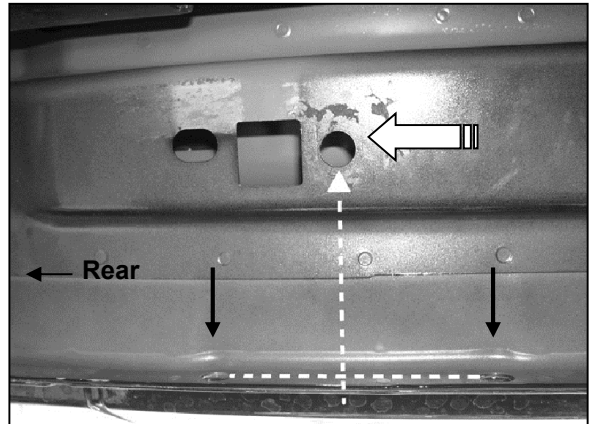


(Fig 1) Locate (3) pairs of factory mounting holes along pinch weld (arrows)

Passenger Side Installation Pictured



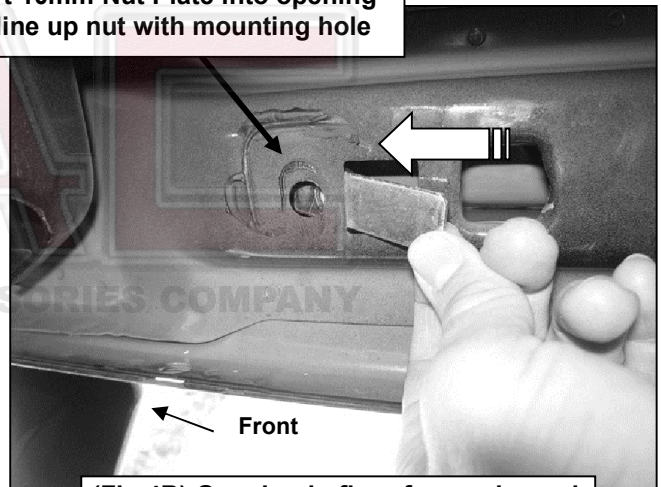
(Fig 2) Attach top of passenger side Support Bracket to back of pinch weld



(Fig 3) 2007-10 driver side rear mounting location pictured from below. Locate the holes in the pinch weld first to determine correct mounting hole for 10mm Nut Plate



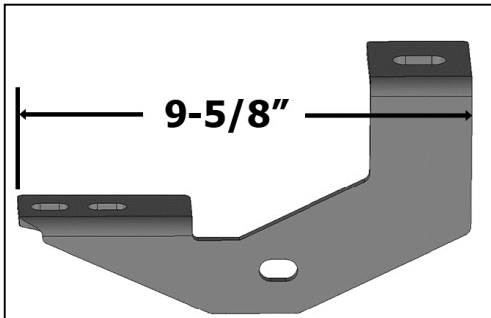
Insert 10mm Nut Plate into opening and line up nut with mounting hole



(Fig 4B) Opening in floor frame channel (passenger side-front pictured)



(Fig 5) 8mm threaded hole in "closed" floor frame channel (passenger side-front pictured for example)



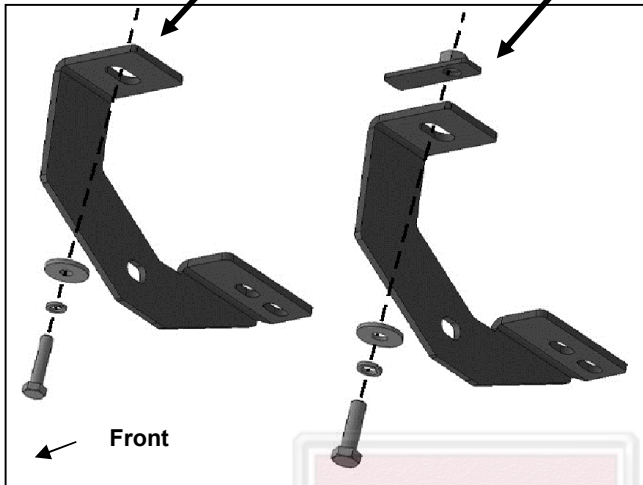
(Fig 6) Passenger side Front Bracket

Passenger Side Installation Pictured

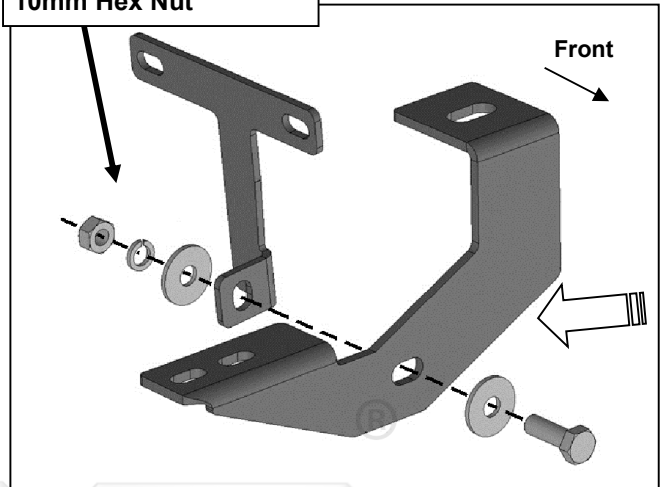
8mm x 35mm Hex Bolt
8mm Lock Washer
8mm x 28mm OD x 3mm
Large Flat Washer

10mm Nut Plate
10mm x 35mm Hex Bolt
10mm Lock Washer
10mm Flat Washer

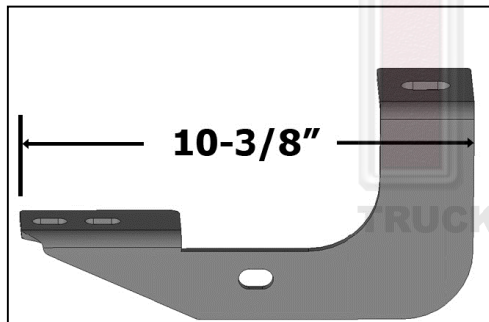
10mm x 30mm Hex Bolt
(2) 10mm Flat Washers
10mm Lock Washer
10mm Hex Nut



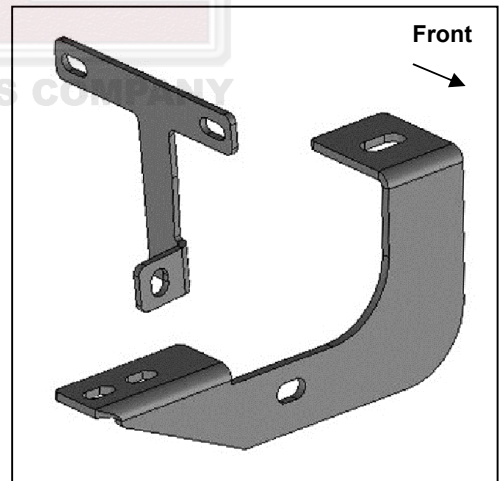
(Fig 7) Passenger side Front Bracket installation



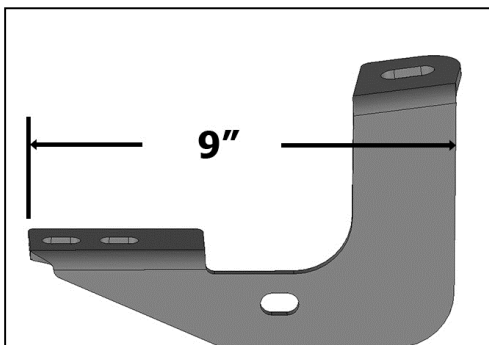
(Fig 8) Attach Support Bracket to back of Mounting Bracket. Note angle cut on back of front Bracket (arrow)



(Fig 9) Passenger side Center Bracket

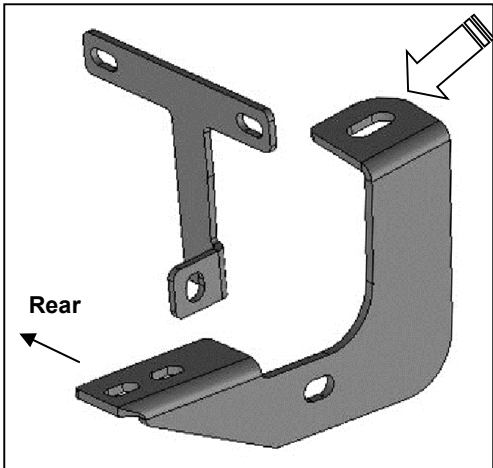


(Fig 10) Passenger side Center Mounting Bracket installation pictured (long bracket)

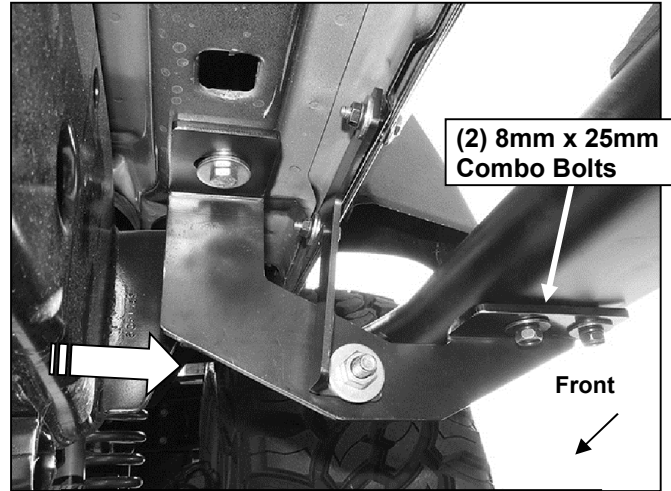


(Fig 11) Passenger side rear Bracket

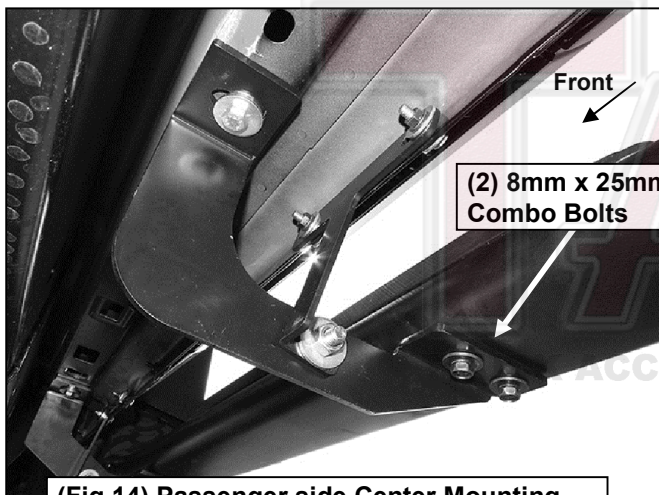
Passenger Side Installation Pictured



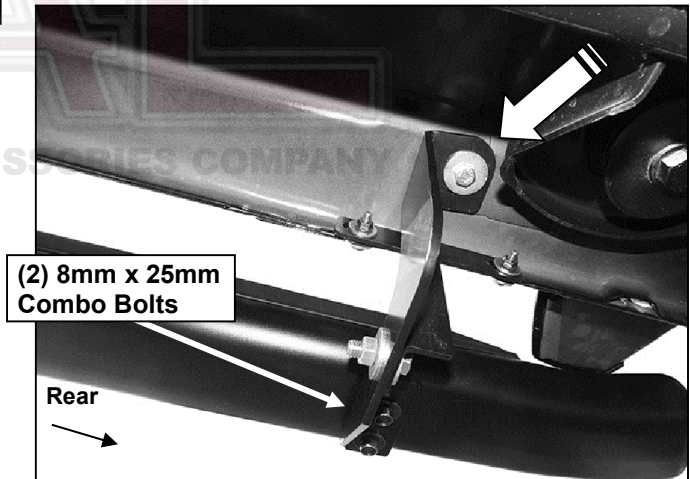
(Fig 12) Passenger side rear Bracket (short bracket). Note radius at top of Bracket



(Fig 13) Passenger side Front Mounting Bracket installation pictured. Note angle cut on back of bracket (arrow)



(Fig 14) Passenger side Center Mounting Bracket installation pictured (long bracket)



(Fig 15) Passenger side Rear Mounting Bracket installation pictured (short bracket). Note radius at top of Bracket to identify (arrow)



Complete Installation