



INSTALLATION INSTRUCTIONS

PNC SIDE BAR

2015-24 F150 & 2022-2024 F150 LIGHTNING EV SUPERCREW CAB

17-24 F250/350/450/550 SUPER DUTY CREW CAB

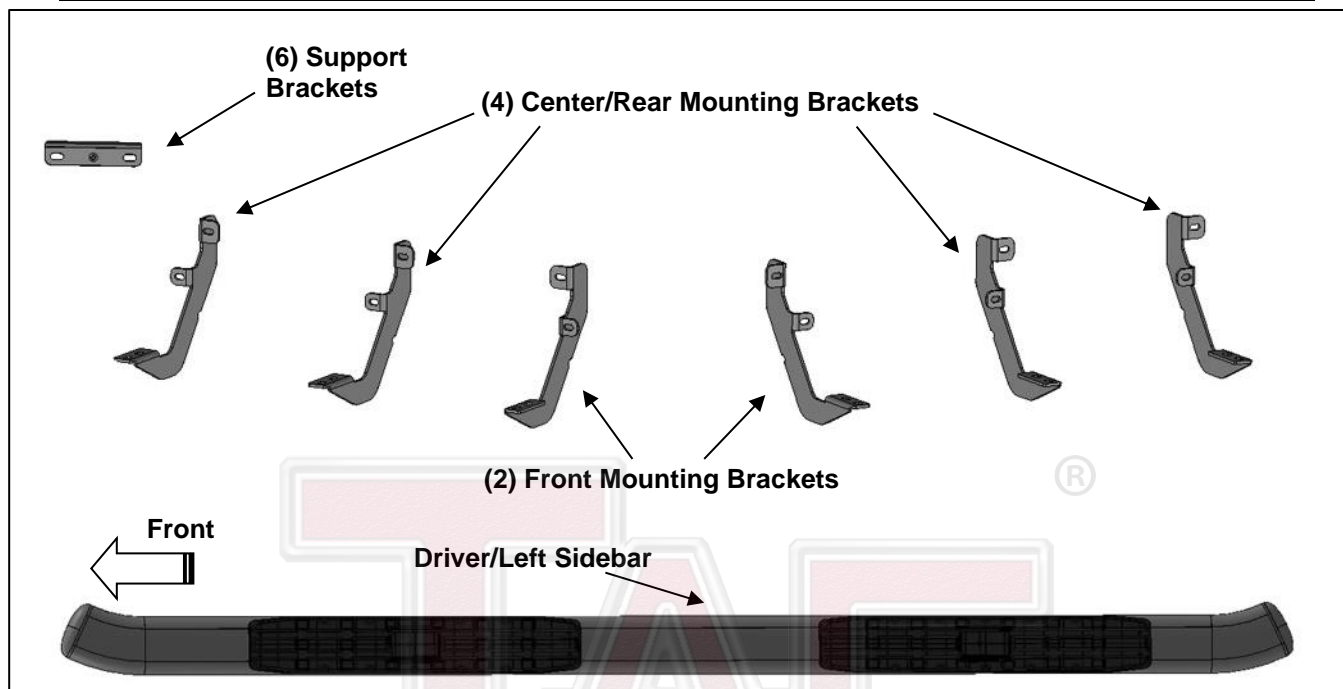
PART# 40-14300TN

TRUCK ACCESSORIES COMPANY

PNC SIDE BAR
2015-24 F150 & 2022-2024 F150 LIGHTNING EV SUPERCREW CAB
17-24 F250/350/450/550 SUPER DUTY CREW CAB

PARTS LIST:

1	Driver/left Sidebar	18	8mm Plastic Washers
1	Passenger/Right Sidebar	12	8mm x 25mm Combo Bolts
2	Front Mounting Brackets	24	8mm x 24mm OD x 2mm Flat Washers
4	Center/Rear Mounting Brackets	24	8mm Nylon Lock Nuts
6	Support Brackets		



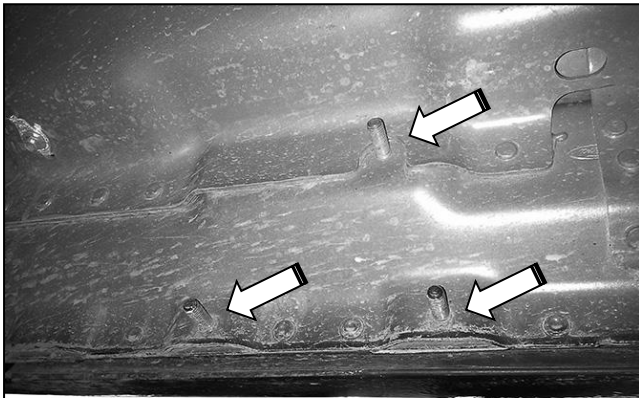
PROCEDURE:

REMOVE CONTENTS FROM BOX. VERIFY ALL PARTS ARE PRESENT. READ INSTRUCTIONS CAREFULLY. ASSISTANCE IS RECOMMENDED.

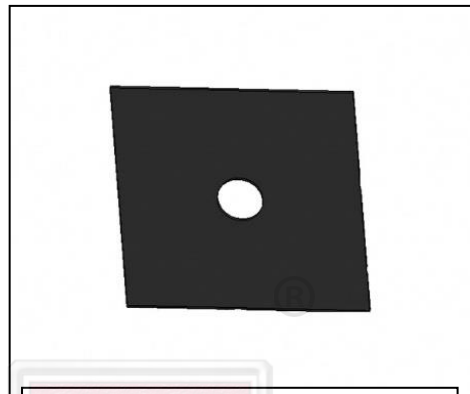
1. Start the installation under the Driver/Left side of the vehicle. Locate the front factory mounting location along the inner side of the body, **(Figure 1)**. Use a wire brush or thread chaser die to remove excess paint and/or undercoating from all studs.
2. Slide (1) Plastic Washer over each of the (3) factory mounting studs in the body panel, **(Figures 2—3)**. **IMPORTANT:** The Plastic Washers are designed to prevent corrosion between the aluminum body panel and the steel mounting brackets. **Do not install the Brackets without the Plastic Washers.**
3. Select (1) Support Bracket, **(Figure 4)**. Attach the Bracket to the (2) studs on the pinch trim with (2) 8mm Flat Washers and (2) 8mm Nylon Lock Nuts, **(Figures 4 & 5)**. Do not tighten hardware.
4. Select (1) Front Mounting Bracket, **(Figure 6)**. Attach the Bracket to the upper stud in the rocker panel and Support Bracket with (2) 8mm Flat Washers, and (2) 8mm Nylon Lock Nuts, **(Figure 6)**. Do not tighten hardware.
5. Repeat **Steps 3 & 4** to attach (2) Center/Rear Mounting Bracket and (2) Support Bracket to the center and rear mounting location.
6. Attach the Sidebar to the (3) Mounting Brackets with (6) 8mm Combo Bolts, **(Figure 7)**. Do not tighten hardware.
7. Level and adjust the Sidebar and tighten all hardware.
8. Repeat **Steps 1—7** to attach the Passenger/Right Sidebar.
9. Do periodic inspections to the installation to make sure that all hardware is secure and tight.

To protect your investment, Do not use any type of polish or wax that may contain abrasives that could damage the finish. Use only mild soap to clean the Sidebar.

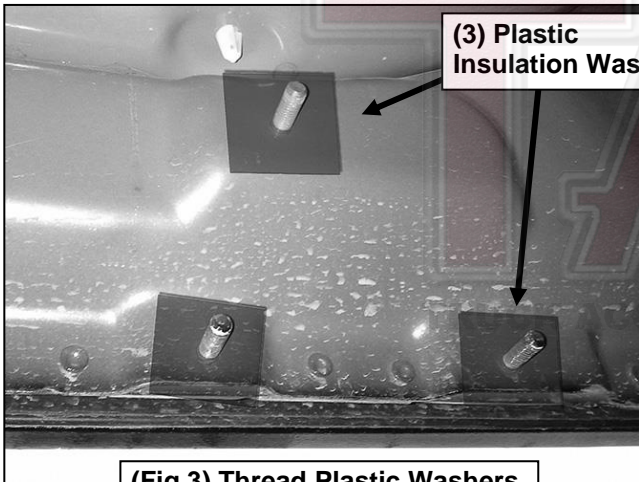
Driver/Left Side Installation Pictured



(Fig 1) Example of typical mounting location

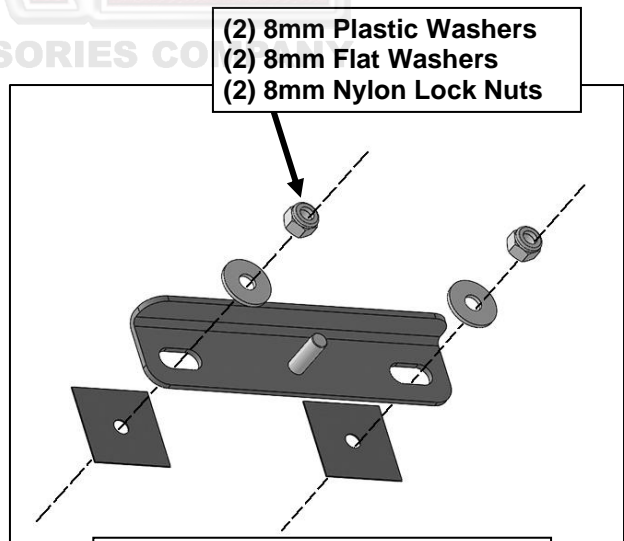


(Fig 2) Plastic Insulation Washer



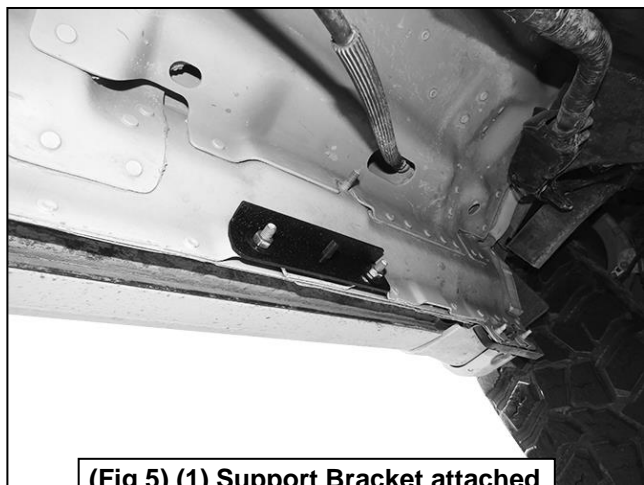
(3) Plastic Insulation Washers

(Fig 3) Thread Plastic Washers onto all mounting studs

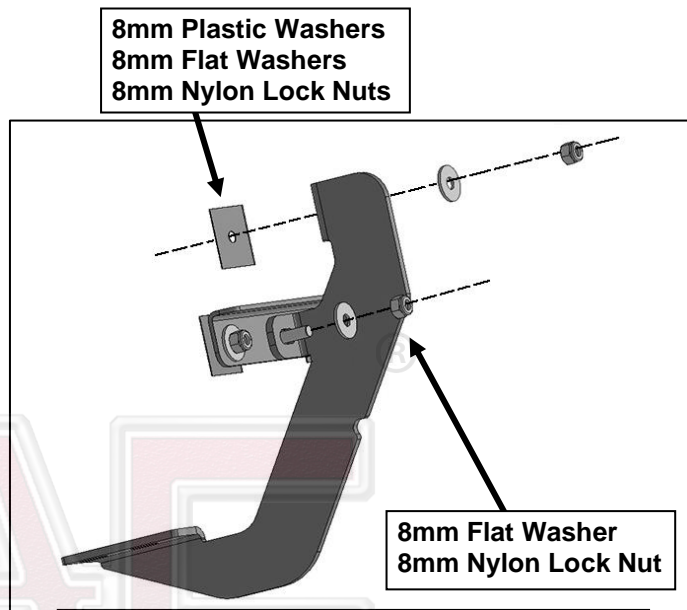


(Fig 4) Attach (1) Support Bracket to the mounting location

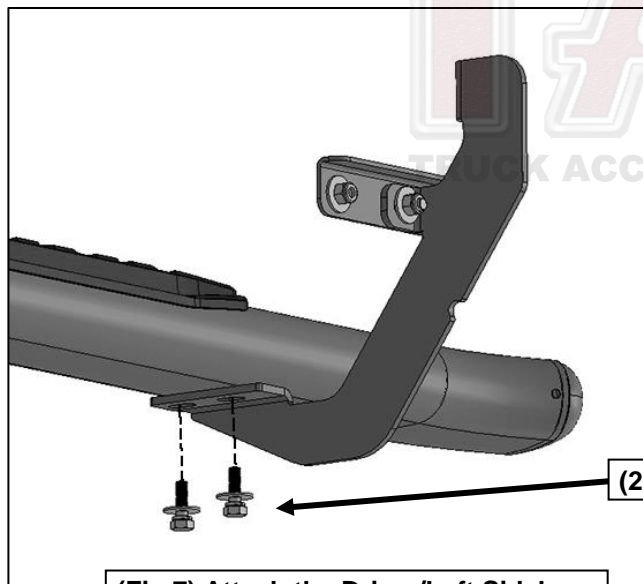
Driver/Left Side Installation Pictured



(Fig 5) (1) Support Bracket attached to the front mounting location



(Fig 6) Attach Mounting Bracket to the upper mounting stud and Support Bracket



(Fig 7) Attach the Driver/Left Sidebar to the Mounting Brackets