



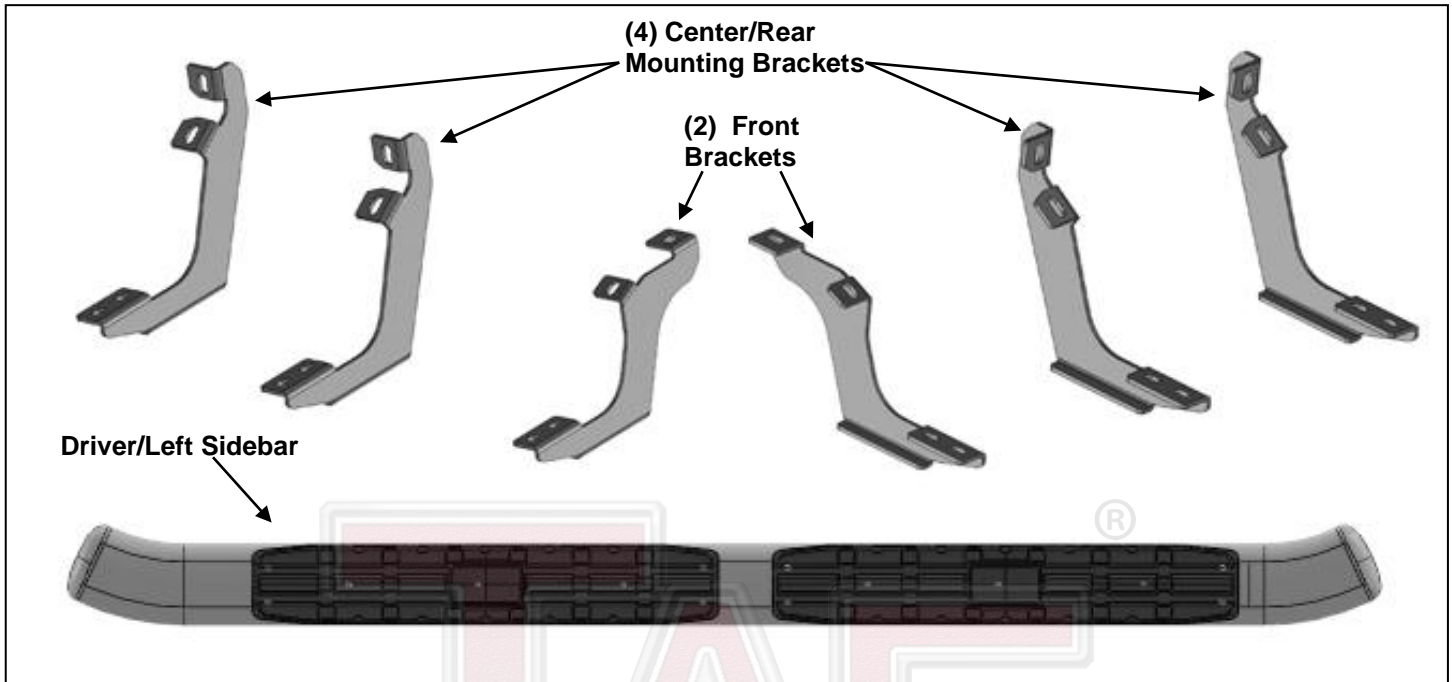
# **INSTALLATION INSTRUCTIONS**

**PNC SIDEBAR  
2019-2023 FORD RANGER SUPERCAB  
PART# 40-11700T**

**TRUCK ACCESSORIES COMPANY**

**PARTS LIST:**

1	Driver/Left Sidebar	12	10-1.5mm x 25mm Hex Bolts
1	Passenger/Right Sidebar	12	10mm Lock Washers
2	Front Mounting Brackets	12	10mm x 27mm x 3mm Flat Washers
4	Center and Rear Mounting Brackets	12	8-1.25mm x 25mm Combo Bolts

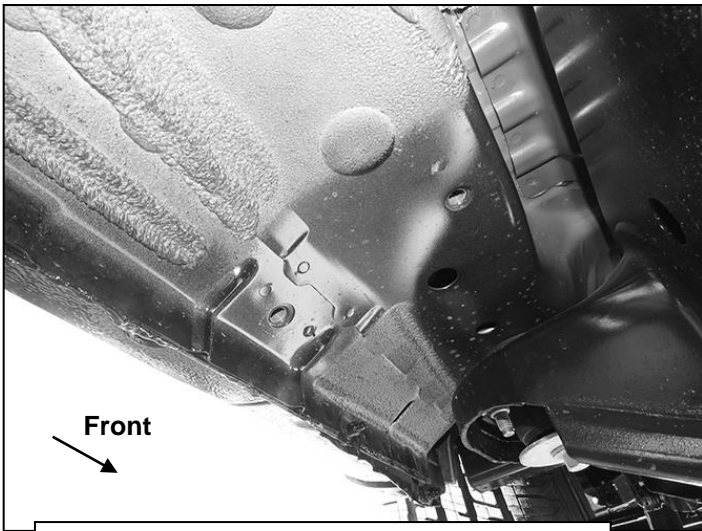


**PROCEDURE:**

- 1. REMOVE CONTENTS FROM BOX. VERIFY ALL PARTS ARE PRESENT. READ INSTRUCTIONS CAREFULLY BEFORE STARTING INSTALLATION.**
- Starting from underneath the Driver/Left side inner rocker panel, locate the threaded mounting holes on the rocker panel, **(Figure 1)**. Remove the plastic plugs covering the mounting holes. Select (1) Front Mounting Bracket, **(Figure 2)**. Attach to Driver/Left front location with (2) 10mm Hex Bolts, (2) 10mm Lock Washers and (2) 10mm Hex Nuts, **(Figures 2 & 3)**. Do not tighten hardware at this time.
- Locate the Center threaded mounting holes. Select (1) Center/Rear Mounting Bracket. Attach with (2) 10mm Hex Bolts, (2) 10mm Lock Washers and (2) 10mm Flat Washers, **(Figures 4—6)**. Do not tighten hardware at this time.
- Repeat **Step 3** to install Rear Mounting Bracket, **(Figures 5 & 7)**.
- Unwrap the Driver/Left Sidebar. Attach Sidebar to the mounting brackets with (6) 8mm Combo Bolts. Do not tighten hardware at this time, **(Figures 8—11)**. **IMPORTANT:** Do not slide or rotate Sidebar on cradles, or damage to the finish may result.
- Level and adjust Sidebar and tighten all hardware.
- Repeat **Steps 2—6** for Passenger/Right side installation.
- Do periodic inspections to the installation to make sure that all hardware is secure and tight.

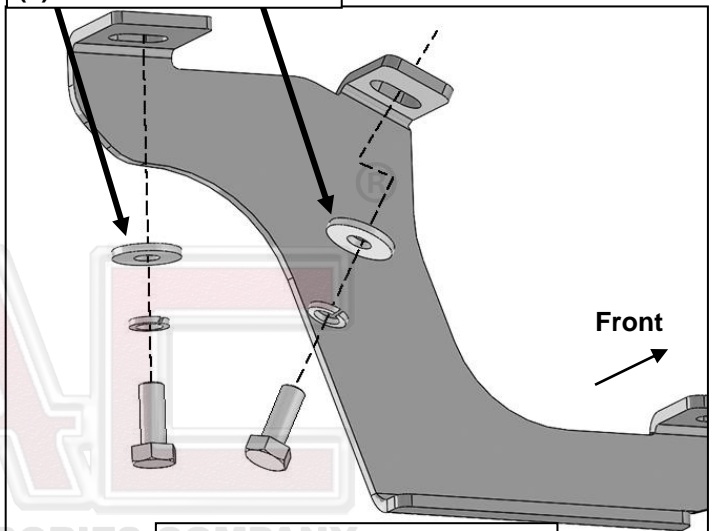
**To protect your investment,** Do not use any type of polish or wax that may contain abrasives that could damage the finish. **For Stainless Steel,** Aluminum polish may be used to polish small scratches and scuffs on the finish. Mild soap may be used to clean the Sidebar.

### Driver/Left side Installation Pictured

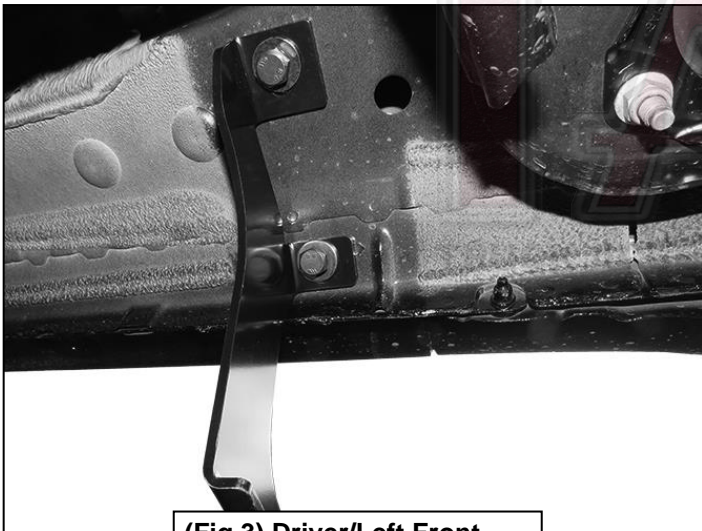


(Fig 1) Driver/Left front mounting Location

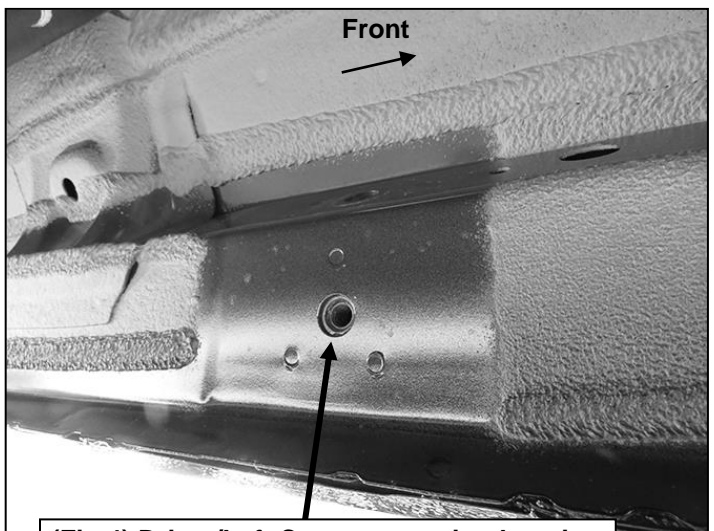
- (2) 10mm Hex Bolts
- (2) 10mm Lock Washers
- (2) 10mm Flat Washers



(Fig 2) Driver/Left Front Mounting Bracket installation

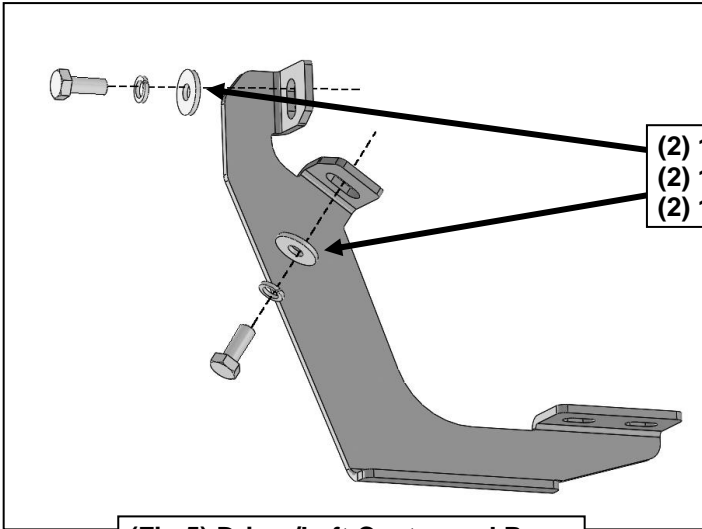


(Fig 3) Driver/Left Front Mounting Bracket attached



(Fig 4) Driver/Left Center mounting location

### Driver/Left side Installation Pictured



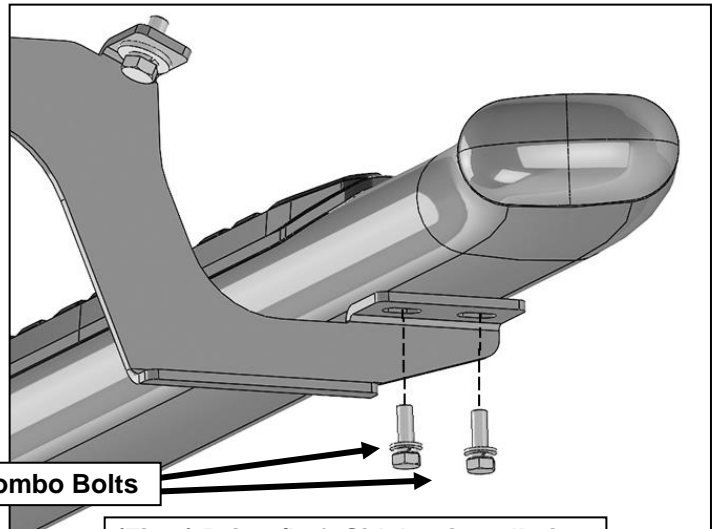
(Fig 5) Driver/Left Center and Rear mounting Bracket installation



(Fig 6) Driver/Left Center Mounting Bracket installed



(Fig 7) Driver/Left Rear Mounting Bracket installed



(Fig 8) Driver/Left Sidebar installation