



# **INSTALLATION INSTRUCTIONS**

**3" SIDEBARS**

**2010-2024 TOYOTA 4 RUNNER**

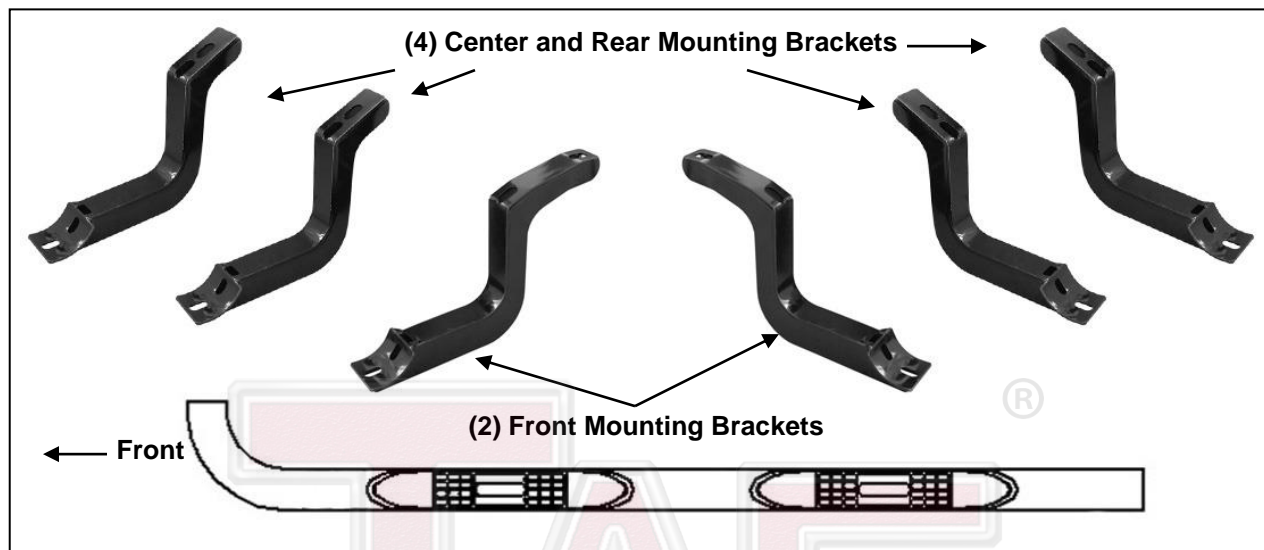
**(Excl.10-13 SR5/2010-2024 Limited/2020-2021 Nightshade Edition/2022-2024 TRD Sport Models/models with Lower Rocker Panel Extensions)**

**PART# 3S-T339T**

**TRUCK ACCESSORIES COMPANY**

**PARTS LIST:**

Qty	Description	Qty	Description
1	Driver/Left Sidebar	12	8-1.25mm x 30mm Hex Bolts
1	Passenger/Right Sidebar	12	8mm Lock Washers
2	Front Mounting Brackets	12	8mm x 22mm OD x 2mm Flat Washers
4	Center & Rear Mounting Brackets	12	8mm x 25mm Combo Bolts



**PROCEDURE:**

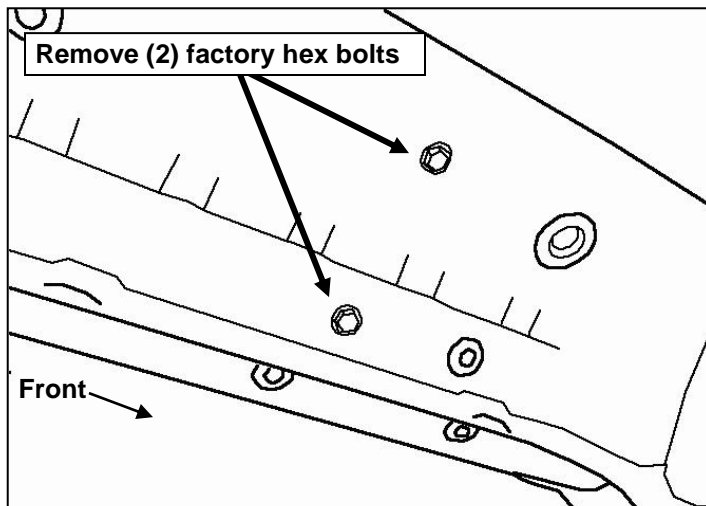
- 1. REMOVE CONTENTS FROM BOX. VERIFY ALL PARTS ARE PRESENT. READ INSTRUCTIONS CAREFULLY. ASSISTANCE IS RECOMMENDED.**
- Starting on the driver side front of the vehicle, remove the (2) factory hex bolts or plastic plugs from the threaded holes in the bottom of the body panel, **(Figure 1)**. Select (1) Front Mounting Bracket. Line up the mounting holes in the Bracket with the threaded holes. Bolt the Mounting Bracket to the vehicle using the included (2) 8mm x 30mm Hex Bolts, (2) 8mm Lock Washers and (2) 8mm Flat Washers, **(Figure 2)**. Do not tighten hardware at this time.
- Repeat **Step 2** for Center and Rear Bracket installation, **(Figures 3 & 4)**.
- With assistance, carefully place the Driver/Left Sidebar onto the (3) Brackets. **WARNING:** Do not rotate the Sidebar on the cradle or the finish on the Sidebar may be damaged. Line up the threaded holes in the bottom of the Sidebar with the slots in the Mounting Brackets. Attach the Sidebar to the Mounting Brackets with the included (6) 8mm x 25mm Combo Bolts, **(Figure 5)**. Do not tighten at this time.
- Level and adjust the Sidebar properly and tighten all hardware.
- Repeat **Steps 2 - 5** for passenger Sidebar installation.
- Do periodic inspections to the installation to make sure that all hardware is secure and tight.

**To protect your investment**, wax this product after installing. Regular waxing is recommended to add a protective layer over the finish. Do not use any type of polish or wax that may contain abrasives that could damage the finish.

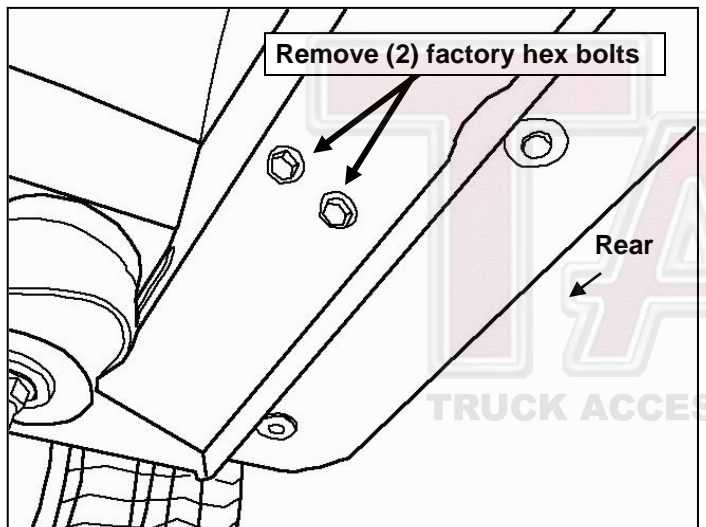
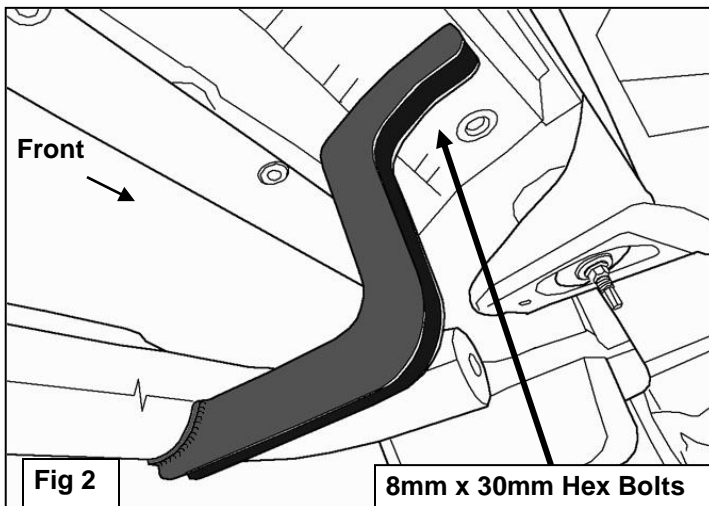
**For stainless steel:** Aluminum polish may be used to polish small scratches and scuffs on the finish. Mild soap may be used also to clean the Sidebar.

**For gloss black finishes:** Mild soap may be used to clean the Sidebar.

### Driver Side Installation Pictured



(Fig 1) Driver/Left Front Mounting Location Pictured



(Fig 3) Driver/Left Rear Mounting Location Pictured

