



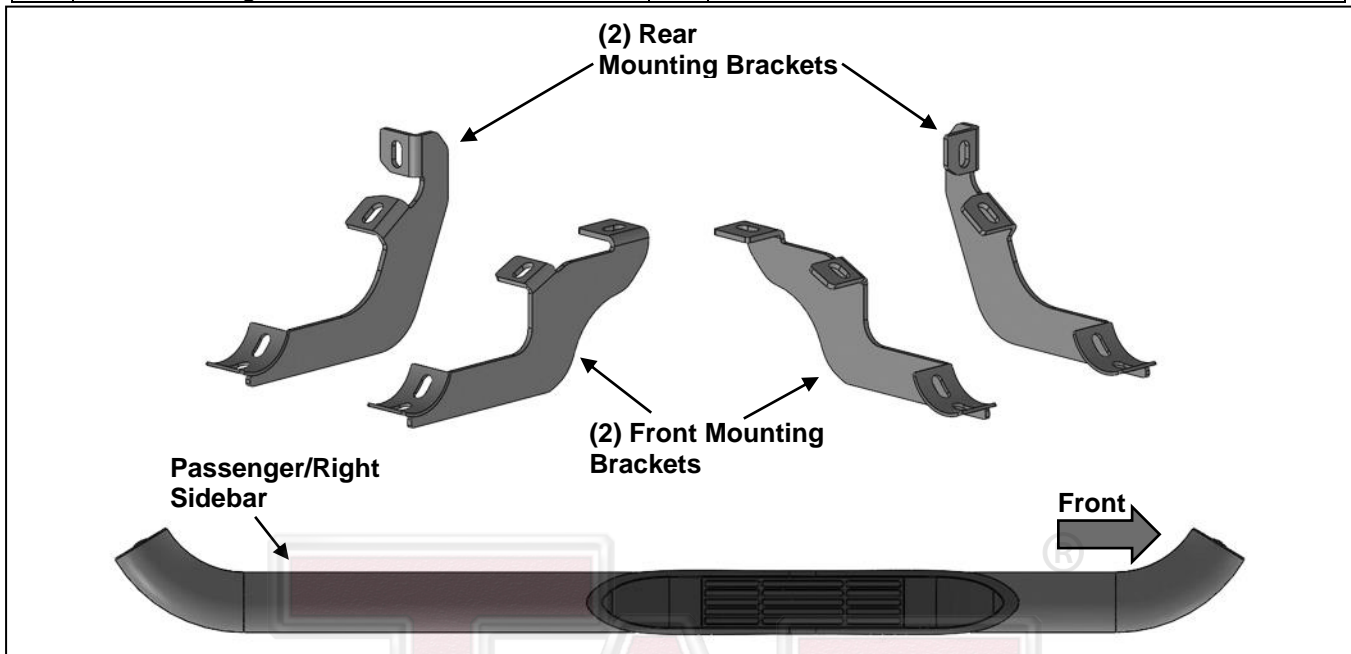
INSTALLATION INSTRUCTIONS

**3INCH SIDEBARS
2021-2024 FORD BRONCO 2DR
PART# 3S-F151T**

TRUCK ACCESSORIES COMPANY

PARTS LIST:

1	Driver/Left 3inch Sidebar	8	10mm x 30mm Hex Bolts
1	Passenger/Right 3inch Sidebar	8	10mm Lock Washers
2	Front Mounting Brackets	8	10mm x 27mm OD x 3mm Flat Washers
2	Rear Mounting Brackets	8	8mm x 25mm Combo Bolts



PROCEDURE:

- 1. REMOVE CONTENTS FROM BOX. VERIFY ALL PARTS ARE PRESENT. READ INSTRUCTIONS CAREFULLY BEFORE STARTING INSTALLATION.**
- Starting from underneath the Passenger/Right body panel, locate the front mounting location and the threaded holes in the body panel, **(Figure 1)**. Remove the plastic plugs covering the holes.
- Select the Passenger/Right Front Mounting Bracket. Attach the Mounting Bracket to the front location with (2) 10mm Hex Bolts, (2) 10mm Lock Washers and (2) 10mm Flat Washers, **(Figure 2)**. Do not tighten hardware.
- Repeat **Steps 2 & 4** to attach (1) Rear Mounting Bracket to the rear location, **(Figures 3 & 4)**. Do not tighten hardware.
- Select the Passenger/Right Sidebar. Place the Sidebar onto the cradles of the Mounting Brackets. **IMPORTANT:** Do not rotate or slide the Sidebar front to back or damage to the finish may result. Attach the Sidebar to the Mounting Brackets with (4) 8mm Combo Bolts, **(Figure 5)**. Do not tighten hardware.
- Level and adjust the Sidebar and tighten all hardware.
- Repeat **Steps 1—7** to attach the Driver/Left Sidebar.
- Do periodic inspections to the installation to make sure that all hardware is secure and tight.

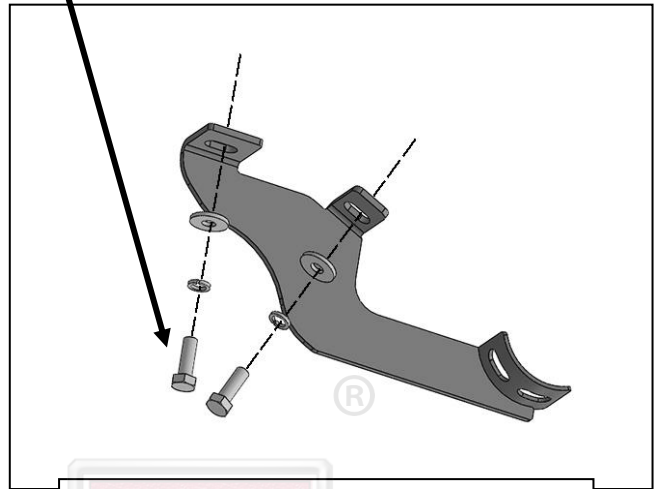
To protect your investment, Do not use any type of polish or wax that may contain abrasives that could damage the finish. Mild soap may be used to clean the Sidebars.

Passenger/Right side Installation Pictured

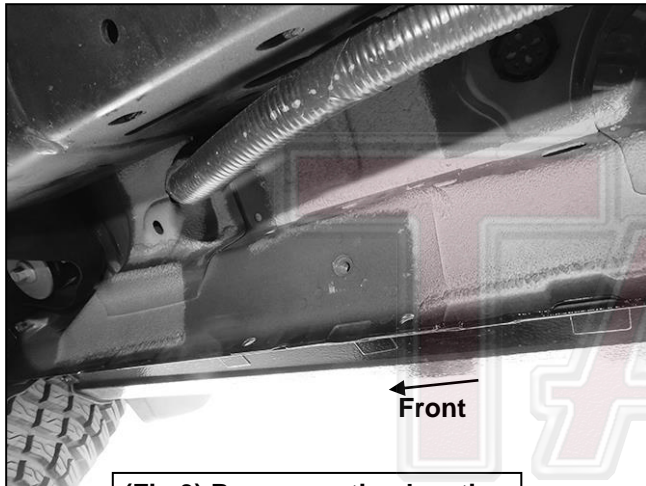


(Fig 1) Passenger/Right front mounting location

- (2) 10mm Hex Bolts
- (2) 10mm Lock Washers
- (2) 10mm Flat Washers

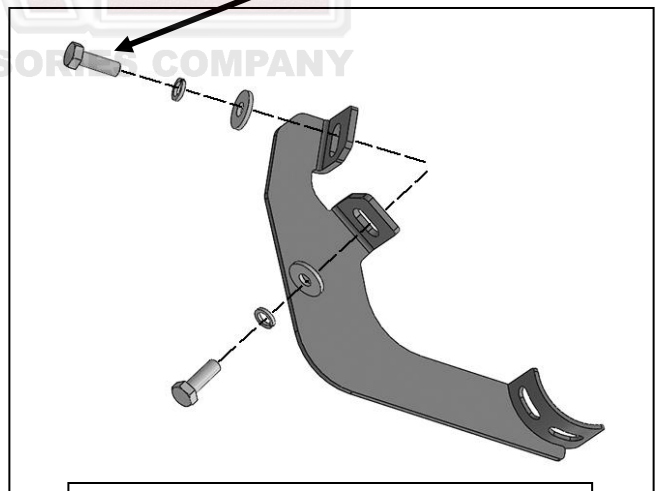


(Fig 2) Attach the Passenger/Right Front Mounting Bracket to the front location

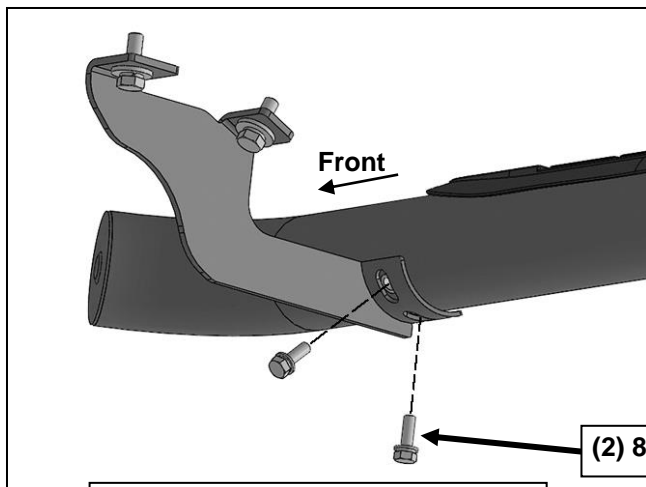


(Fig 3) Rear mounting location (Driver/Left side shown)

- (2) 10mm Hex Bolts
- (2) 10mm Lock Washers
- (2) 10mm Flat Washers



(Fig 4) Attach (1) Passenger/Right Rear Mounting Bracket to the center location



(Fig 5) Attach the Passenger/Right Sidebar to the Mounting Brackets

- (2) 8mm Combo Bolts