



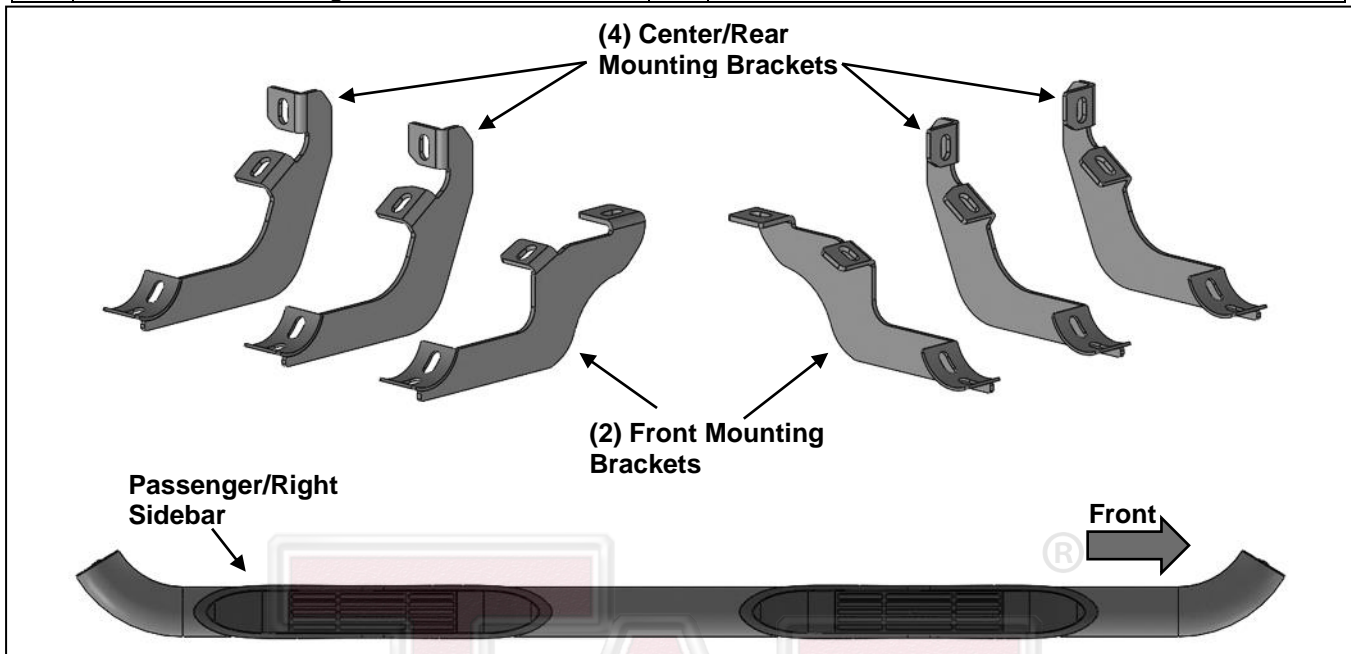
# **INSTALLATION INSTRUCTIONS**

**3INCH SIDEBARS  
2021-2024 FORD BRONCO 4DR  
PART# 3S-F150T**

**TRUCK ACCESSORIES COMPANY**

**PARTS LIST:**

1	Driver/Left 3inch Sidebar	12	10mm x 30mm Hex Bolts
1	Passenger/Right 3inch Sidebar	12	10mm Lock Washers
2	Front Mounting Brackets	12	10mm x 27mm OD x 3mm Flat Washers
4	Center/Rear Mounting Brackets	12	8mm x 25mm Combo Bolts



**PROCEDURE:**

- 1. REMOVE CONTENTS FROM BOX. VERIFY ALL PARTS ARE PRESENT. READ INSTRUCTIONS CAREFULLY BEFORE STARTING INSTALLATION.**
- Starting from underneath the Passenger/Right body panel, locate the front mounting location and the threaded holes in the body panel, **(Figure 1)**. Remove the plastic plugs covering the holes.
- Select the Passenger/Right Front Mounting Bracket. Attach the Mounting Bracket to the front location with (2) 10mm Hex Bolts, (2) 10mm Lock Washers and (2) 10mm Flat Washers, **(Figure 2)**. Do not tighten hardware.
- Repeat **Steps 2 & 4** to attach (2) Center/Rear Mounting Brackets to the center and rear locations, **(Figures 3—5)**. Do not tighten hardware.
- Select the Passenger/Right Sidebar. Place the Sidebar onto the cradles of the Mounting Brackets. **IMPORTANT:** Do not rotate or slide the Sidebar front to back or damage to the finish may result. Attach the Sidebar to the Mounting Brackets with (6) 8mm Combo Bolts, **(Figure 6)**. Do not tighten hardware.
- Level and adjust the Sidebar and tighten all hardware.
- Repeat **Steps 1—7** to attach the Driver/Left Sidebar.
- Do periodic inspections to the installation to make sure that all hardware is secure and tight.

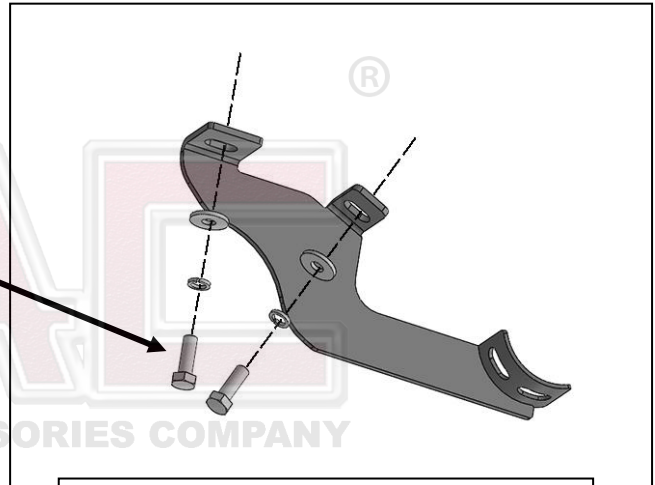
**To protect your investment,** Do not use any type of polish or wax that may contain abrasives that could damage the finish. Mild soap may be used to clean the Sidebars.

### Passenger/Right side Installation Pictured

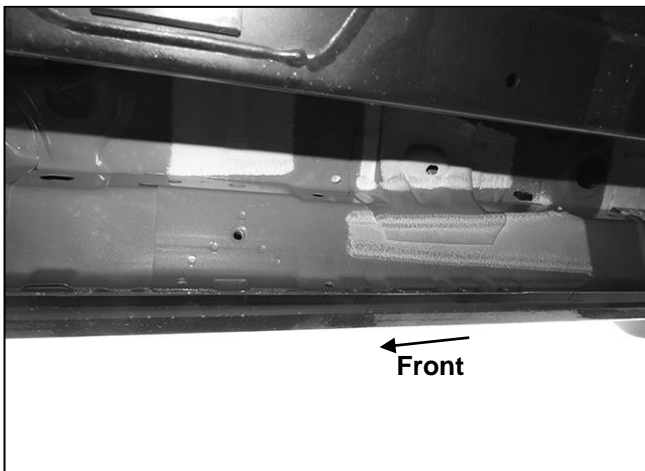


**(Fig 1) Passenger/Right front mounting location**

- (2) 10mm Hex Bolts
- (2) 10mm Lock Washers
- (2) 10mm Flat Washers

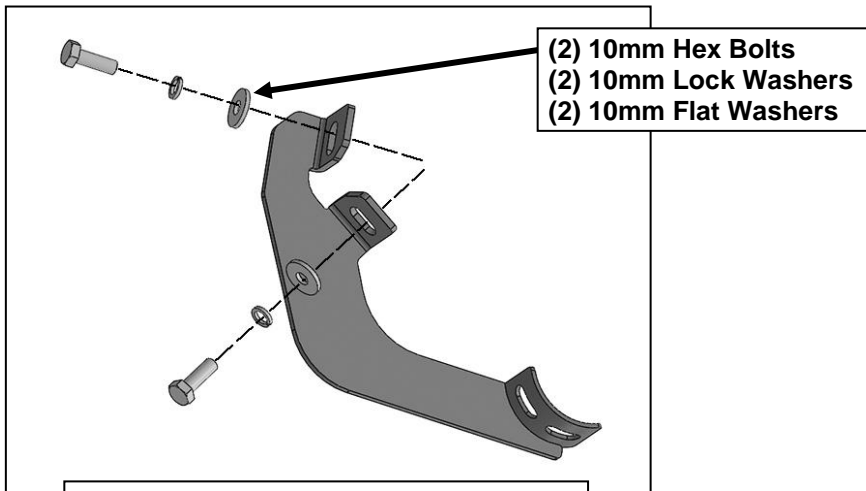


**(Fig 2) Attach the Passenger/Right Front Mounting Bracket to the front location**

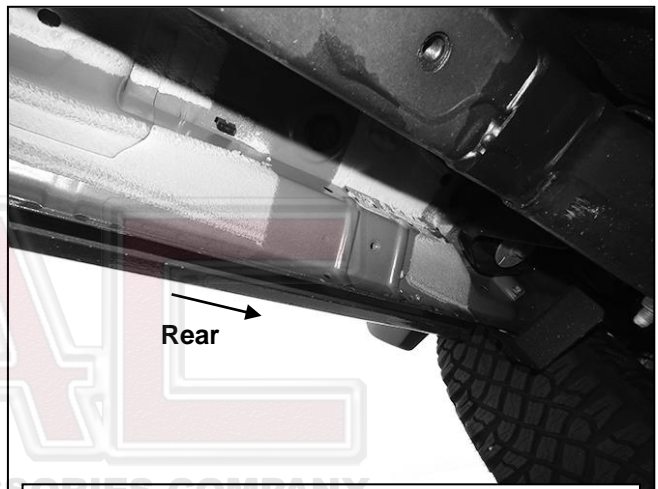


**(Fig 3) Passenger/Right center mounting location**

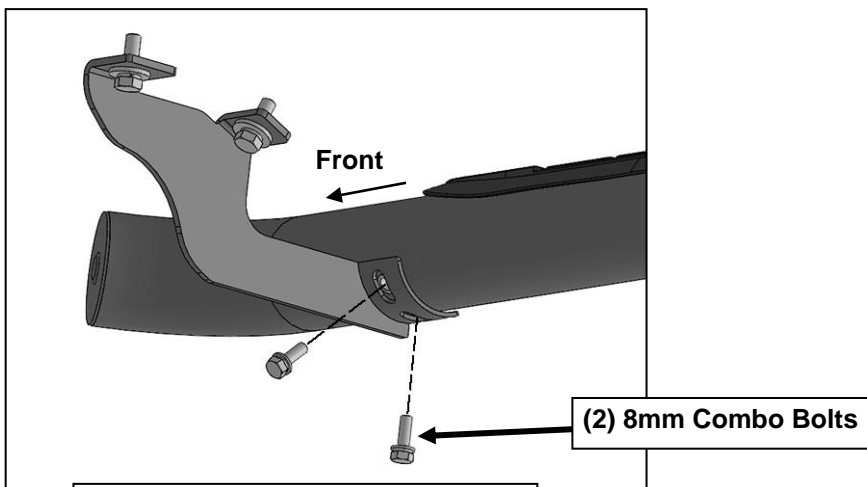
### Passenger/Right side Installation Pictured



(Fig 4) Attach (1) Passenger/Right Rear Mounting Bracket to the center location



(Fig 5) Passenger/Right rear mounting location



(Fig 6) Attach the Passenger/Right Sidebar to the Mounting Brackets