



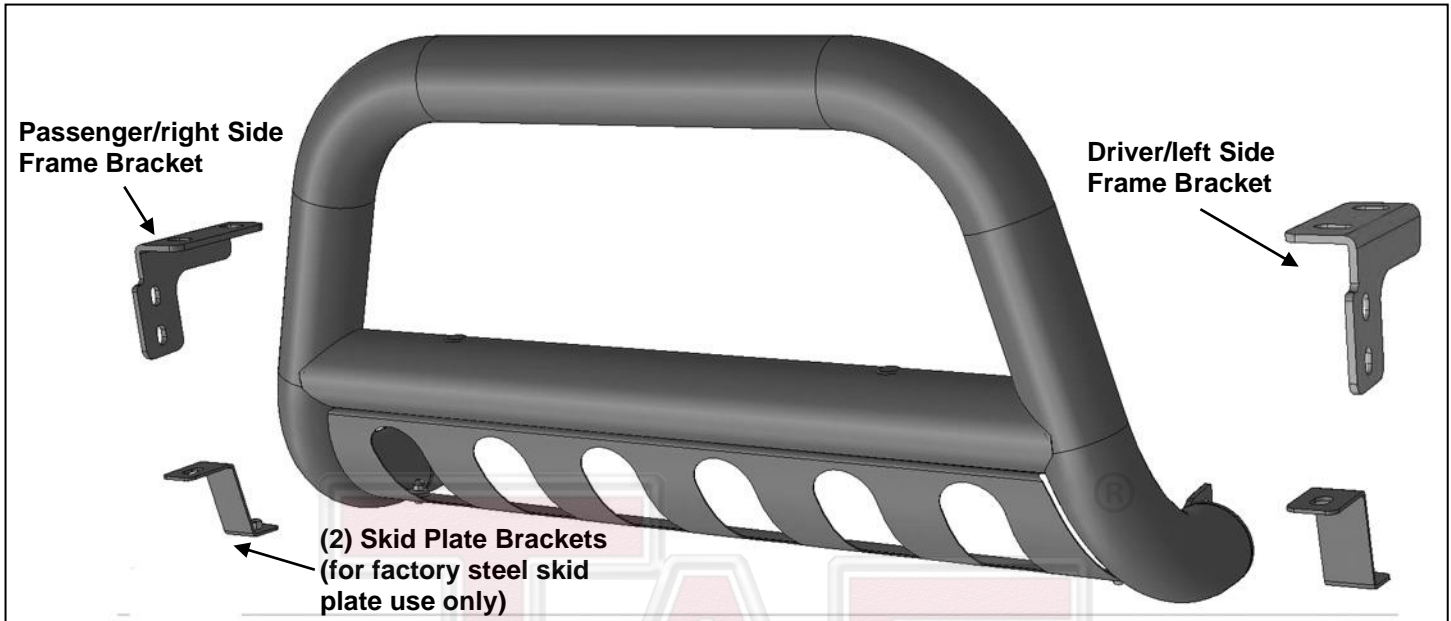
# **INSTALLATION INSTRUCTIONS**

**3" BULL BAR  
2019-2023 FORD RANGER  
PART# 3B-F1152**

**TRUCK ACCESSORIES COMPANY**

**PARTS LIST:**

1	3in Bull Bar	4	12mm x 37mm OD x 3.5mm Flat Washers
1	Driver/left Frame Bracket	4	12mm Lock Washers
1	Passenger/Right Frame Bracket	4	10-1.5mm x 35mm Hex Bolts
2	Skid Plate Mounting Brackets	8	10mm x 27mm OD x 3 mm Flat Washers
4	12-1.75mm x 45mm Hex Bolts	4	10-1.5mm Nylon Lock Nuts



**PROCEDURE:**

**REMOVE CONTENTS FROM BOX AND VERIFY ALL PARTS ARE PRESENT. READ INSTRUCTIONS CAREFULLY. CUTTING MAY BE REQUIRED. INSTALLATION MAY INTERFERE WITH FRONT MOUNTED SENSORS.**

1. Start installation from under the front of the vehicle.
2. Determine if the vehicle is equipped with tow hooks. **IMPORTANT:** Tow hooks cannot be reinstalled with the Bull Bar.

**Tow Hook equipped vehicles:**

- a. Remove the plastic cover attached to the tow hook, **(Figure 1)**. Next, remove the tow hook from the bottom of the frame, **(Figures 2—4)**. On models with steel skid plate, temporarily remove skid plate, **(Figure 3)**.
- b. Proceed to **Step 3**.

**Vehicles without tow hooks:**

- a. Cut out the lower section of the indented area in both sides of the plastic bumper insert to clear the Brackets as pictured, **(Figure 5)**. **NOTE:** Hold the Frame Mounting Bracket up to the back of the bumper to determine area to remove to clear Bracket. **IMPORTANT:** Make several small cuts for best fit.
  - b. Insert the Mounting Brackets through the openings in the bumper to check for clearance around Brackets and hardware. Trim the plastic as required to clear the Brackets.
3. Select the driver/left Frame Mounting Bracket, **(Figure 6)**. Hold the Bracket up to the bottom of the frame. Line up the holes in the Bracket with the (2) mounting bolt holes for the tow hook. Attach the Bracket to the threaded holes in the frame with (2) 12mm x 45mm Hex bolts, (2) 12mm Lock Washers and (2) 12mm Flat Washers, **(Figure 7)**. **IMPORTANT:** Models with steel skid plate, attach (1) Skid Plate Bracket to the rear mounting Bolt, **(Figure 7)**. Leave hardware loose. Repeat this **Step** to attach the passenger/right Frame Bracket and Skid Plate Bracket if equipped.
  4. With assistance, hold the Bull Bar up in position on the inside of the Mounting Brackets. Attach the Bull Bar to the Brackets with (4) 10mm x 35mm Hex Bolts, (8) 10mm Flat Washers and (4) 10mm Nylon Lock Nuts, **(Figure 8)**. Do not tighten hardware at this time.

5. Check the Bull Bar alignment with the vehicle and for clearance between the Bull Bar and the bumper. Adjust as required then fully tighten all hardware at this time.
6. Do periodic inspections to the installation to make sure that all hardware is secure and tight.

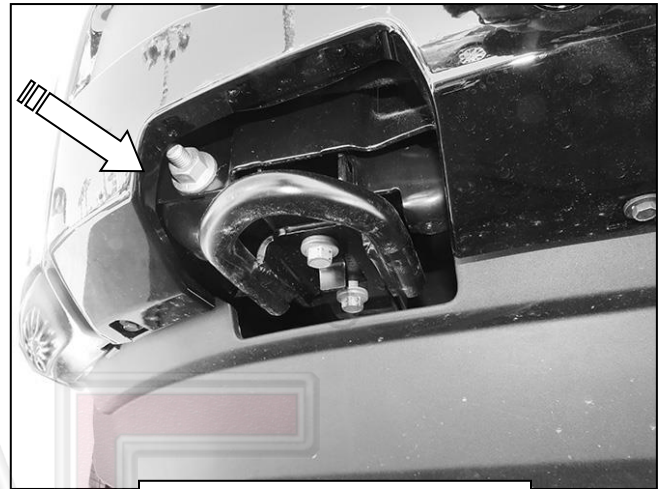
**To protect your investment**, wax this product after installing. Regular waxing is recommended to add a protective layer over the finish. Do not use any type of polish or wax that may contain abrasives that could damage the finish.

**For stainless steel:** Aluminum polish may be used to polish small scratches and scuffs on the finish. Mild soap may be used also to clean the Bull Bar.

**For gloss black finishes:** Mild soap may be used to clean the Bull Bar.



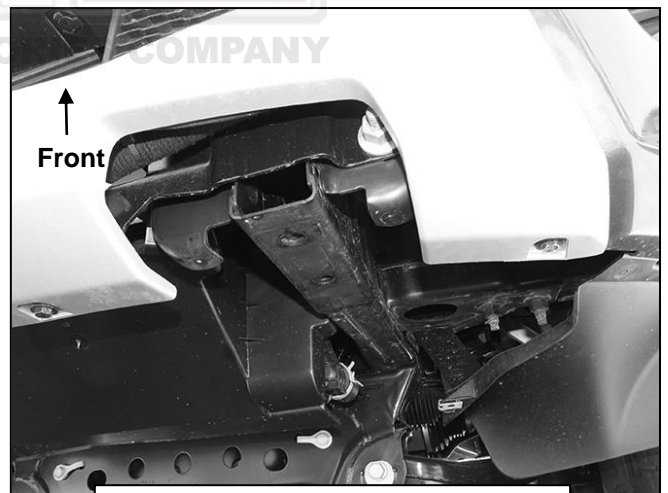
(Fig 1) Example of Tow hook



(Fig 2) Remove plastic cover surrounding tow hook



(Fig 3) Models with steel skid plate, temporarily remove skid plate to access tow hooks

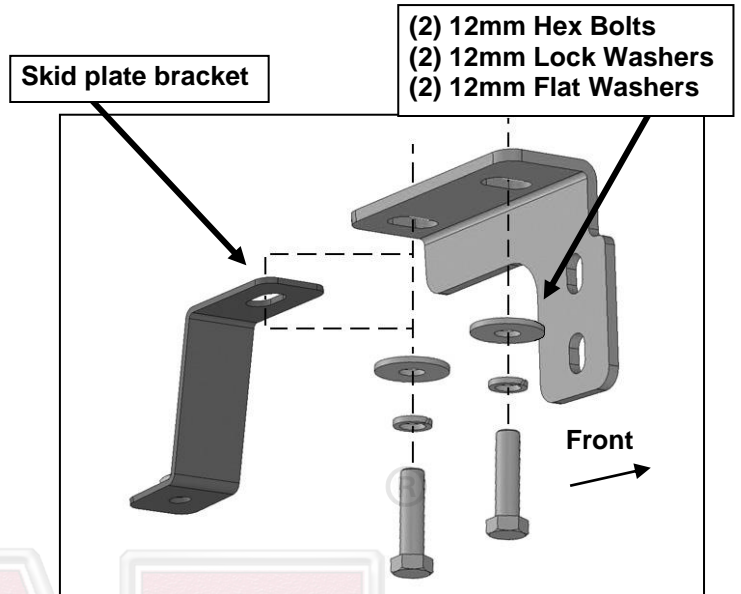


(Fig 4) Driver/left mounting location

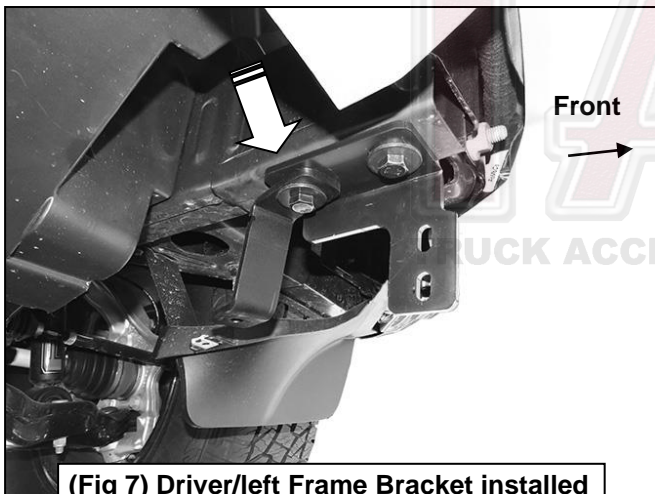
### Driver/left Side Installation Pictured



(Fig 5) Models without tow hooks, cut openings in lower plastic cover to clear Brackets

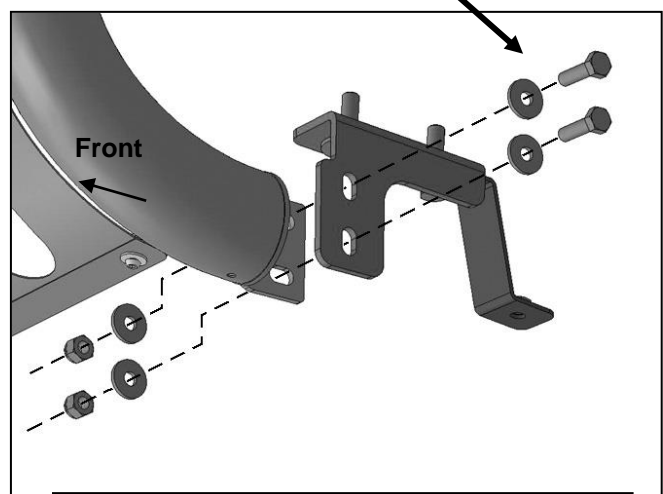


(Fig 6) Attach driver/left Frame Bracket to bottom of frame. Attach skid plate bracket to rear mounting bolt if equipped with steel skid plate



(Fig 7) Driver/left Frame Bracket installed with optional Skid Plate Bracket (arrow)

- (2) 10mm Hex Bolts
- (4) 10mm Flat Washers
- (2) 10mm Nylon Lock Nuts



(Fig 8) Attach Bull Bar to the inside of the Brackets. Driver/left installation illustrated