



# **INSTALLATION INSTRUCTIONS**

**SIDEBAR**

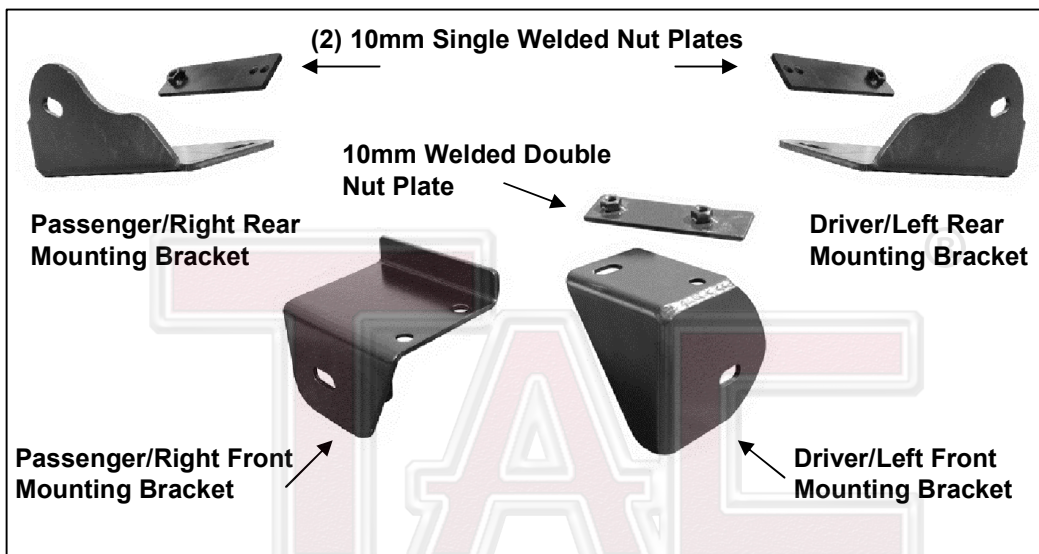
**06-11 JEEP COMMANDER**

**7-PASSENGER W/REAR A/C ONLY**

**PART#221600**

**PARTS LIST:**

1	Driver/Left Sidebar	4	1/2" x 2" Hex Bolts
1	Passenger/Right Sidebar	4	1/2" Lock Washers
1	Driver/Left Front Mounting Bracket	4	1/2" ID x 1-1/2" OD x 1/8" Flat Washers
1	Passenger/Right Front Mounting Bracket	2	10-1.50mm x 25mm Hex Bolts
1	Driver/Left Rear Mounting Bracket	4	10-1.50mm x 30mm Hex Bolts
1	Passenger/Right Rear Mounting Bracket	6	10mm Lock Washers
1	Welded Double Nut Plate	6	10mm ID x 30mm OD x 2.5mm Flat Washers
2	Welded Single Nut Plate		



**PROCEDURE:**

1. REMOVE CONTENTS FROM BOX. VERIFY ALL PARTS ARE PRESENT. READ INSTRUCTIONS CAREFULLY BEFORE STARTING INSTALLATION. DO NOT ATTEMPT INSTALLATION ALONE; PERSONAL INJURY OR DAMAGE TO THE VEHICLE MAY RESULT.
2. Start installation toward the driver side front-side of the vehicle. Locate the driver side-front mounting location, **(Figure 1A)**. Select (1) Welded Double Nut Plate, **(Figure 1B)**. Insert the Nut Plate into the large round hole in the floor panel. Line up the (2) threaded nuts in the Nut Plate with the large round hole and the oval hole in the floor panel. Select the driver side Front Bracket. Hang the Bracket from the Double Nut Plate with (2) 10mm x 30mm Hex Bolts, (2) 10mm Lock Washers and (2) 10mm Flat Washers inserted through the Bracket and into the Double Nut Plate, **(Figure 2)**. Do not tighten hardware at this time.
3. Next, move toward the driver side rear of the vehicle. Locate the factory mount for the rear trailing arm, **(Figure 3A)**. Select (1) Single Welded Nut Plate, **(Figure 3B)**. Insert the flat end of the Nut Plate with the threaded holes, (No welded nut), up and into the underside of the trailing arm mount. Line up the threaded holes in the Nut Plate with the (2) holes in the trailing arm mount. **NOTE:** Make sure that the end on the Nut Plate with the welded-on nut is towards the bottom of the trailing arm mount.
4. Select the Driver Side Rear Mounting Bracket. Insert (1) 1/2" x 2" Hex Bolt, (1) 1/2" Lock Washer and (1) 1/2" Flat Washer out through the mounting slot in the Bracket, **(Figure 4)**. **NOTE:** The 1/2" Hex Bolt and Washers must be installed in the Bracket before it is bolted onto the car. There is very little room between the trailing arm mount and the Bracket once the Bracket has been bolted to the vehicle.
5. Hold the Nut Plate up in position inside the trailing arm mount and hold the driver side rear Mounting Bracket in position over the mount. Hang the Bracket from the Nut Plate by inserting (1) 10mm x 25mm Hex Bolt, (1) 10mm Lock Washer and (1) 10mm Flat Washer through the top hole in the Bracket and into the threaded end of the Nut Plate, **(Figure 4)**. **NOTE:** Do not attach the Bracket to the lower

mounting hole, (with welded nut), at this time. Leave the hex bolt in the top of the Mount loose to allow the bottom of the Mounting Bracket to tilt forward.

6. Carefully unwrap the Sidebars and select the correct Sidebar. **IMPORTANT:** To determine the correct Sidebar, note that one bent end on the Sidebar is longer than the other. The longer bent end will bolt to the rear Mounting Bracket first. Loosely attach the Sidebar to the previously inserted (1) 1/2" x 2" Hex Bolt and Washers in the rear bracket, (**Figure 4 & 6**). Do not tighten hardware at this time.
7. Hold the front of the Sidebar up to the front Bracket. Bolt the Sidebar to the Bracket with the included (1) 1/2" x 2" Hex Bolt, (1) 1/2" Lock Washer and (1) 1/2" Flat Washer inserted through the back of the Bracket and into the Sidebar, (**Figures 5-Driver & 9-Passenger side**). Do not tighten at this time.
8. Next, move back to the Rear Bracket. Insert (1) 10mm x 30mm Hex Bolt, (1) 10mm Lock Washer, and (1) 10mm Flat Washer through the lower hole in the rear Bracket and into the welded nut on the Nut Plate, (**Figure 6**). Do not tighten hardware at this time.
9. Level and adjust the Side Bar and tighten all hardware.
10. Move to the passenger side of the vehicle. Remove the two factory bolts on the cover over the air conditioning lines located by the front fender, (**Figure 7**). Hold the passenger front Mounting Bracket in position over the (2) holes and secure it using the factory hex bolts, (**Figure 8**). Do not tighten hardware at this time.
11. Repeat Steps 3 - 9 to continue passenger Sidebar installation.
12. Do periodic inspections to the installation to make sure that all hardware is secure and tight.

**To protect your investment**, wax this product after installing. Regular waxing is recommended to add a protective layer over the finish. Do not use any type of polish or wax that may contain abrasives that could damage the finish.

**For stainless steel:** Aluminum polish may be used to polish small scratches and scuffs on the finish. Mild soap may be used also to clean the Sidebar.

**For gloss black finishes:** Mild soap may be used to clean the Sidebar.

### Driver Side Front Bracket Installation Pictured

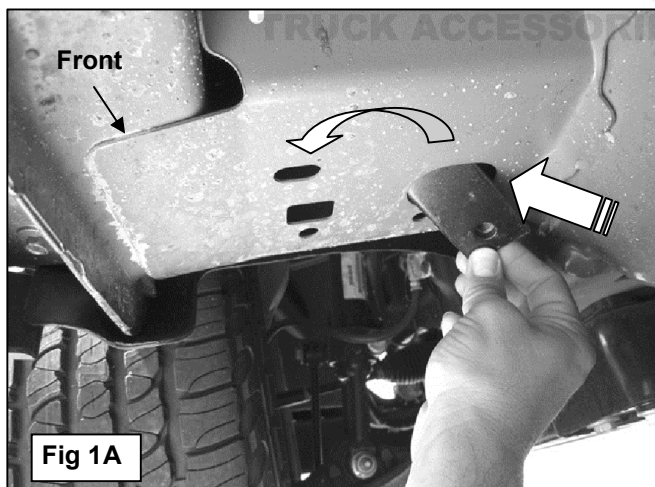


Fig 1A

Insert Double Nut Plate into the large round hole. Line up the welded hex nuts with the round and oval hole.

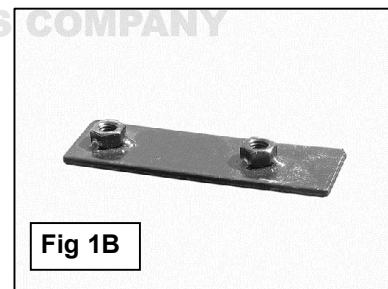
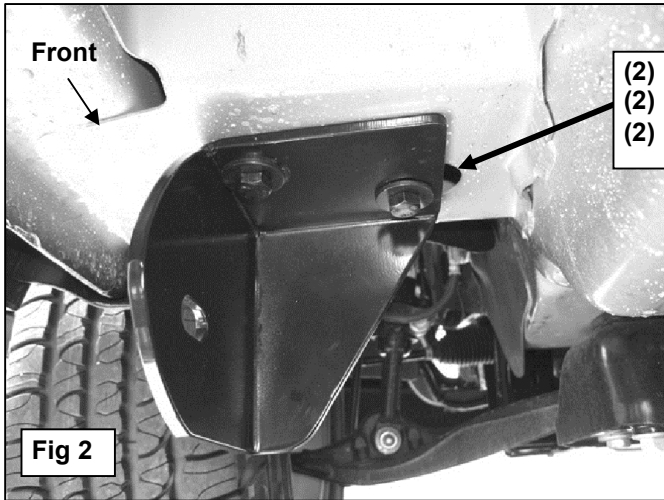
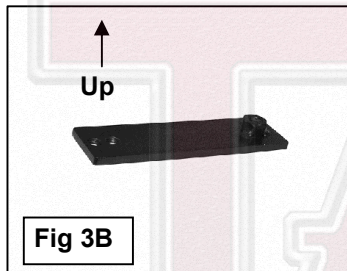
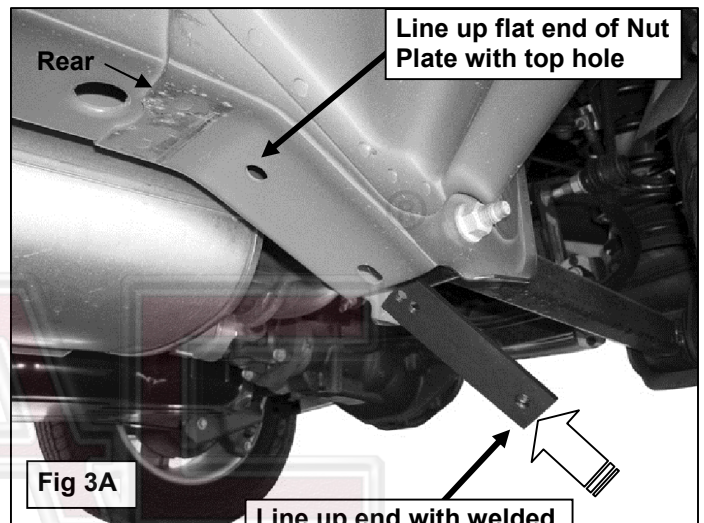


Fig 1B

### Driver Side Front Bracket Installation Pictured

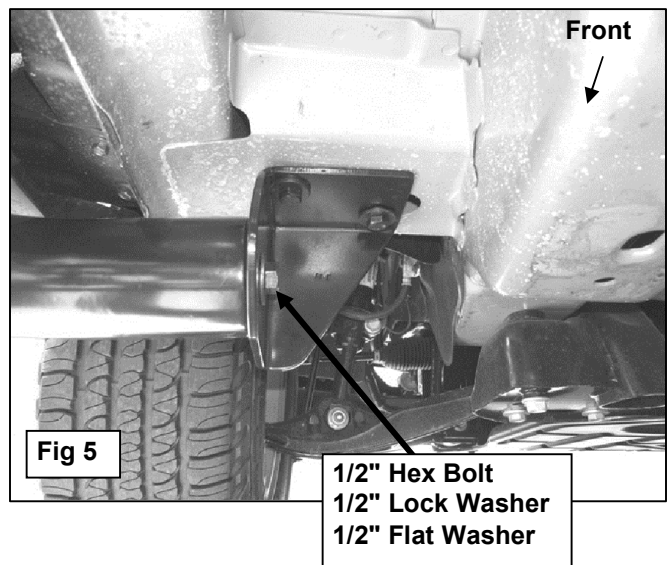
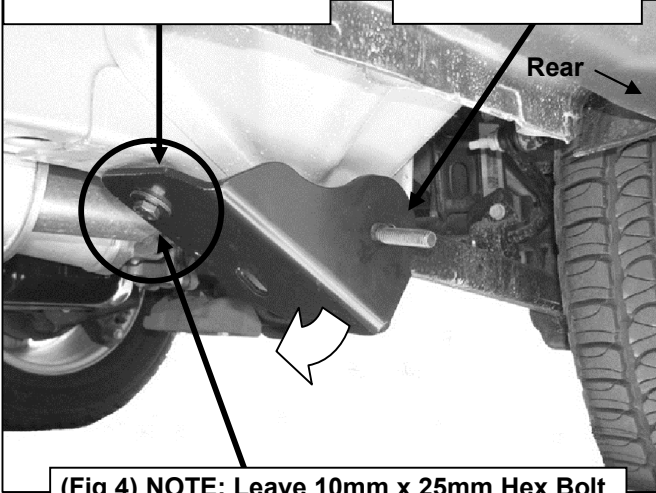


### Driver Side Rear Bracket Installation Pictured

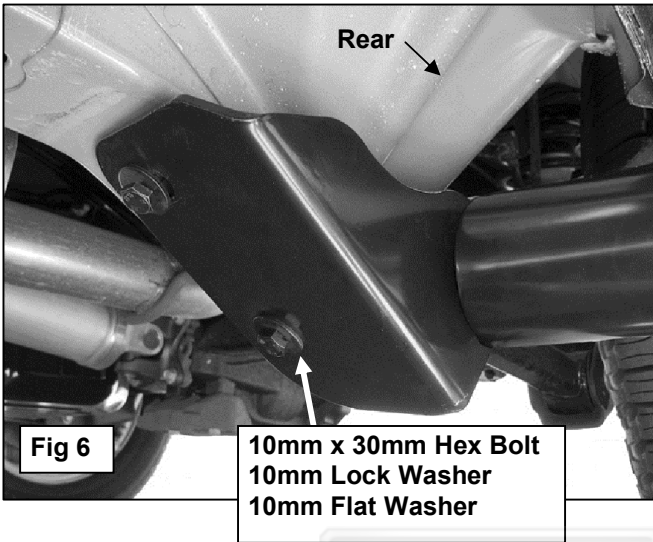


10mm x 25mm Hex Bolt  
10mm Lock Washer  
10mm Flat Washer

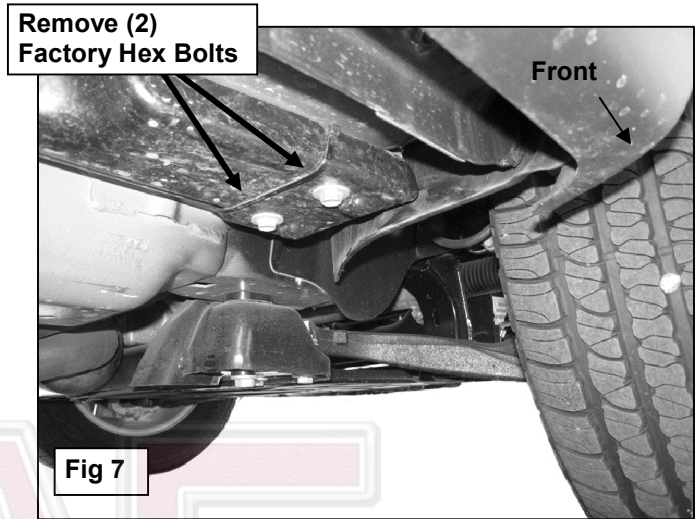
1/2" Hex Bolt  
1/2" Lock Washer  
1/2" Flat Washer



### Driver Side Rear Bracket Installation Pictured



### Passenger Side Front Bracket Installation Pictured



### Passenger Side Front Bracket Installation Pictured

