



# **INSTALLATION INSTRUCTIONS**

**3" SIDEBARS**

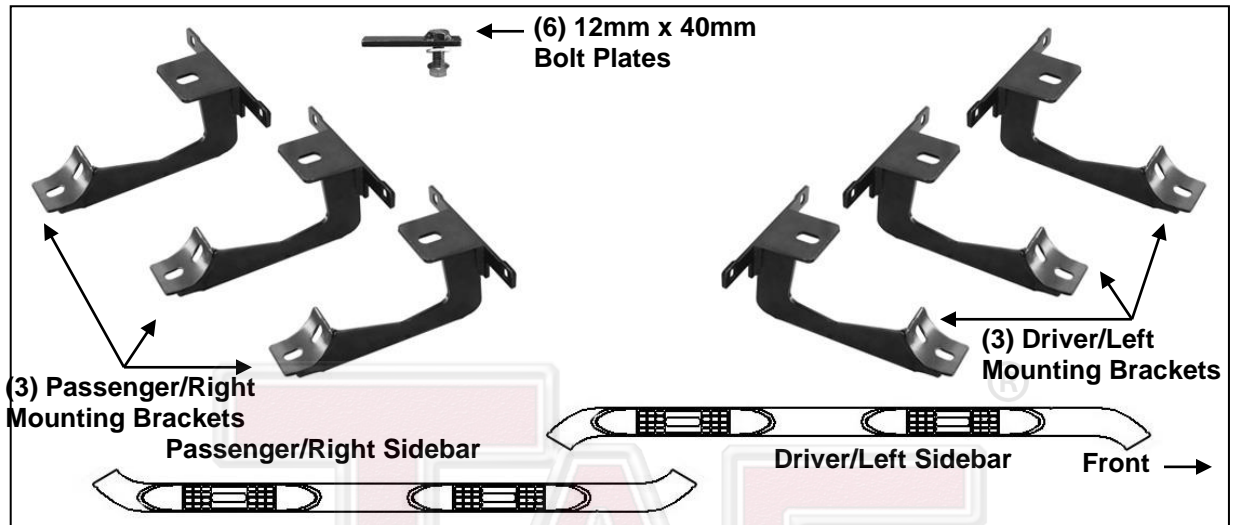
**2011-2023 DODGE DURANGO**

**PART# 221120**

**TRUCK ACCESSORIES COMPANY**

**PARTS LIST:**

1	Driver/Left Sidebar	6	12mm Serrated Flange Nuts
1	Passenger/Right Sidebar	12	8-1.25mm x 25mm Hex Bolts
3	Driver/Left Mounting Brackets	12	8mm x 24mm x 2mm Flat Washers
3	Passenger/Right Mounting Brackets	12	8mm Lock Washers
6	12-1.75mm x 40mm Bolt Plates	12	6-1.0mm x 25mm Hex Bolts
6	12mm Plastic Retainers	24	6mm x 18mm OD x 1.6mm Flat Washers
6	12mm x 24mm OD x 2.5mm Flat Washer	12	6mm Nylon Lock Nuts



**PROCEDURE:**

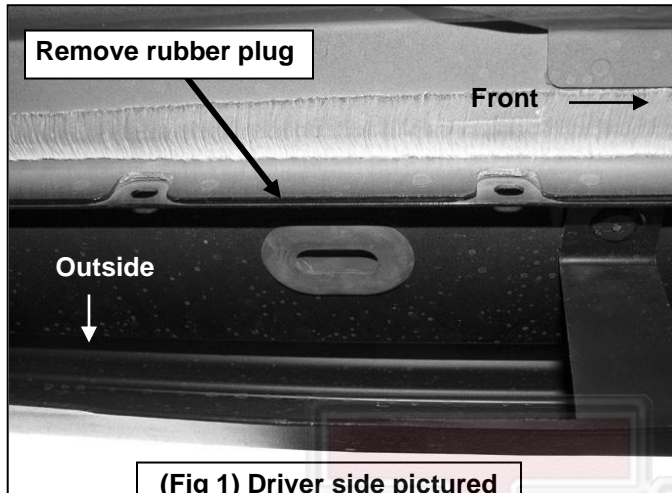
- 1. REMOVE CONTENTS FROM BOX. VERIFY ALL PARTS ARE PRESENT. READ INSTRUCTIONS CAREFULLY BEFORE STARTING INSTALLATION.**
- Starting along the driver side of the vehicle, locate the 3 pairs of (2) small factory holes in the pinch weld, **(Figure 1)**. Remove the rubber plug filling the oval hole in the bottom of the rocker panel directly in front of the (2) holes, **(Figure 1)**.
- Select (1) 12mm Bolt Plate and (1) 12mm Plastic Retainer, **(Figure 2A)**. Thread the Retainer part way onto the Bolt Plate. **NOTE:** The Retainer will help hold the Bolt Plate in position during Bracket installation. Insert the Bolt Plate into the hole and rotate 90-degrees to the slot, **(Figures 2B & 3)**. Thread the Retainer down until it is tight against the sheet metal.
- Select (1) driver side Mounting Bracket and hang it from the Bolt Plate with (1) 12mm Flat Washer and (1) 12mm Flange Nut, **(Figures 4 & 5)**.
- Next, bolt the mounting plate on the Bracket to the front of the pinch weld with (2) 6mm x 25mm Hex Bolts, (4) 6mm Flat Washers and (2) 6mm Nylon Lock Nuts, **(Figures 4 & 5)**. Snug but do not fully tighten hardware at this time.
- Repeat **Steps 2 – 5** for center and rear Mounting Bracket installation.
- Select the driver/left Sidebar and carefully place it in position on the (3) Mounting Brackets. Line up the threaded holes in the Sidebar with the slots in the Brackets. Bolt the Sidebar in place with the included (6) 8mm x 25mm Hex Bolts, (6) 8mm Lock Washers and (6) 8mm Flat Washers, **(Figure 6)**. Snug all hardware but do not tighten at this time.
- Adjust and level the Sidebar and tighten all hardware.
- Repeat **Steps 2 – 8** for passenger/right Sidebar installation.
- Do periodic inspections to the installation to make sure that all hardware is secure and tight.

**To protect your investment**, wax this product after installing. Regular waxing is recommended to add a protective layer over the finish. Do not use any type of polish or wax that may contain abrasives that could damage the finish.

**For stainless steel:** Aluminum polish may be used to polish small scratches and scuffs on the finish. Mild soap may be used also to clean the Sidebar.

**For gloss black finishes:** Mild soap may be used to clean Sidebar.

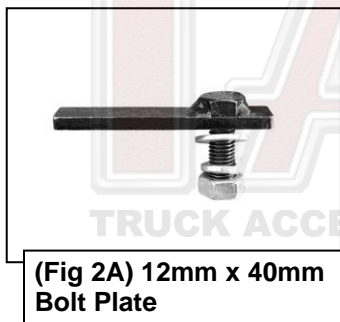
### Driver Side Installation Pictured



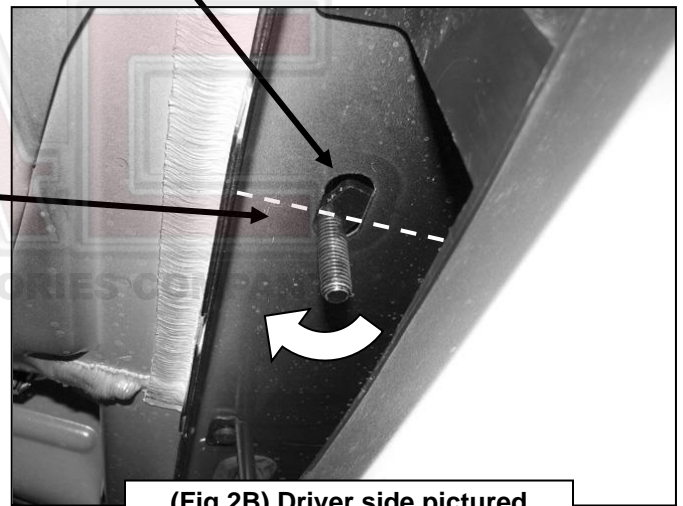
(Fig 1) Driver side pictured from below vehicle

To determine the correct mounting location, locate the three pairs of (2) factory holes in the pinch weld and the rubber plug in the floor panel

Insert Bolt Plates then rotate 90-degrees to the slot or until it stops for proper installation



(Fig 2A) 12mm x 40mm Bolt Plate

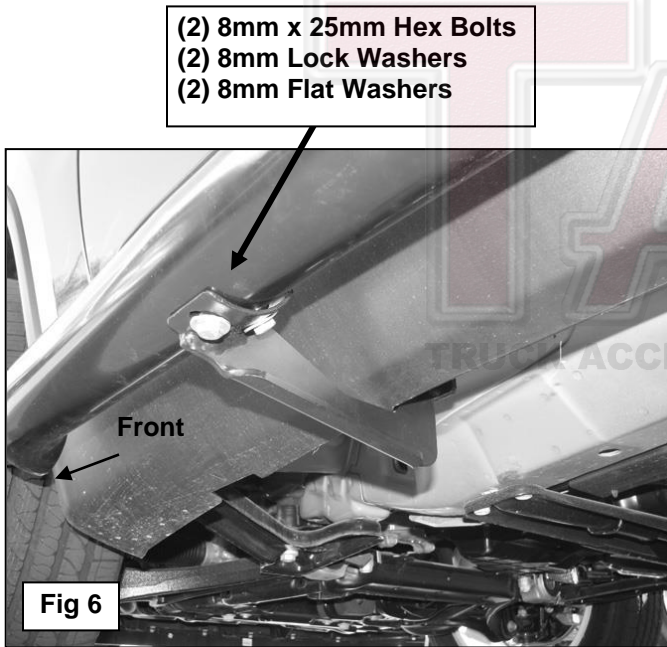
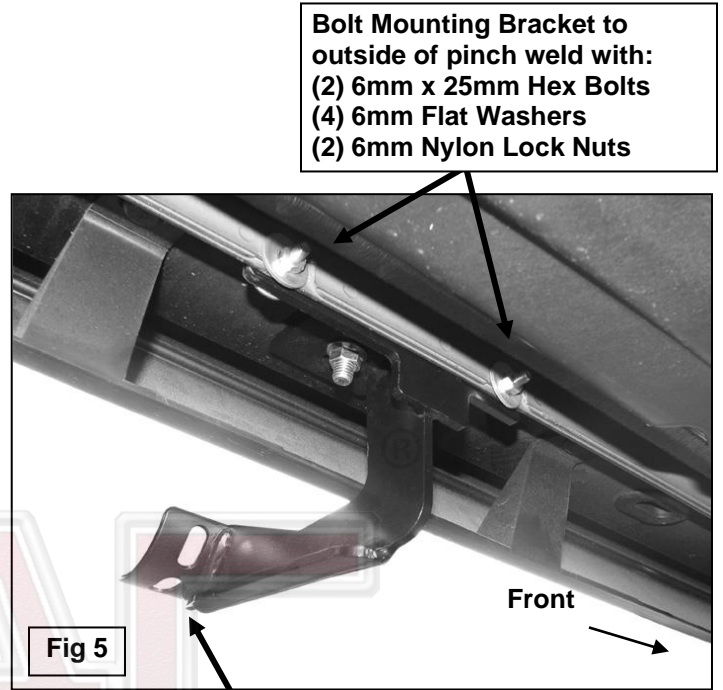
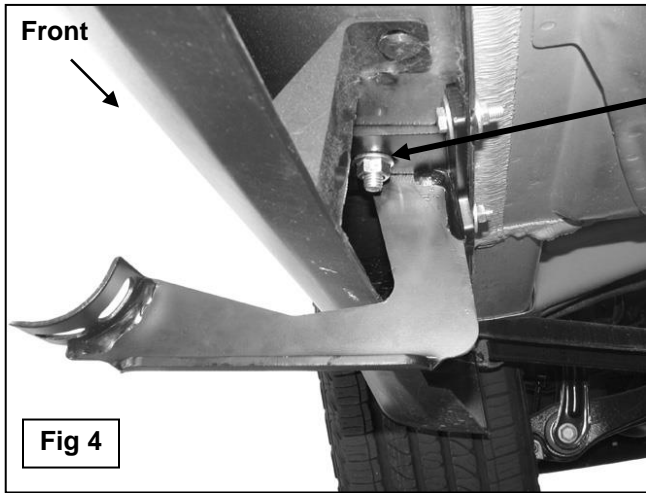


(Fig 2B) Driver side pictured



(Fig 3) Thread Plastic Retainer onto Bolt Plate

### Driver Side Installation Pictured



**NOTE: Sidebar cradle  
will point toward rear  
on all Brackets**

