



## **INSTALLATION INSTRUCTIONS**

### **Side Steps**

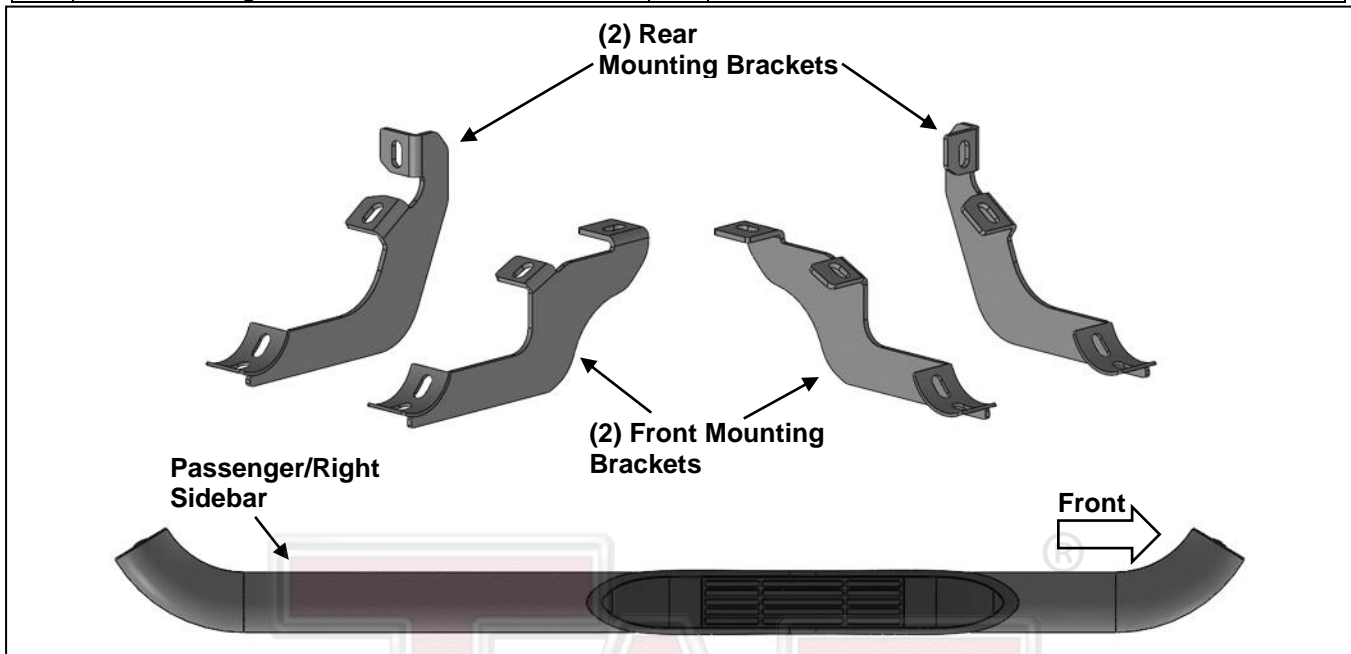
**TAC Side Steps Running Boards Compatible with 2021-2024 Ford Bronco 2 Door SUV 3" Black Side Bars Step Rails Nerf Bars Off Road Accessories (2 pcs Running Boards)**

**PART# 215030**

**TRUCK ACCESSORIES COMPANY**

**PARTS LIST:**

1	Driver/Left 3inch Sidebar	8	10mm x 30mm Hex Bolts
1	Passenger/Right 3inch Sidebar	8	10mm Lock Washers
2	Front Mounting Brackets	8	10mm x 27mm OD x 3mm Flat Washers
2	Rear Mounting Brackets	8	8mm x 25mm Combo Bolts



**PROCEDURE:**

- 1. REMOVE CONTENTS FROM BOX. VERIFY ALL PARTS ARE PRESENT. READ INSTRUCTIONS CAREFULLY BEFORE STARTING INSTALLATION.**
- Starting from underneath the Passenger/Right body panel, locate the front mounting location and the threaded holes in the body panel, **(Figure 1)**. Remove the plastic plugs covering the holes.
- Select the Passenger/Right Front Mounting Bracket. Attach the Mounting Bracket to the front location with (2) 10mm Hex Bolts, (2) 10mm Lock Washers and (2) 10mm Flat Washers, **(Figure 2)**. Do not tighten hardware.
- Repeat **Steps 2 & 4** to attach (1) Rear Mounting Bracket to the rear location, **(Figures 3 & 4)**. Do not tighten hardware.
- Select the Passenger/Right Sidebar. Place the Sidebar onto the cradles of the Mounting Brackets. **IMPORTANT:** Do not rotate or slide the Sidebar front to back or damage to the finish may result. Attach the Sidebar to the Mounting Brackets with (4) 8mm Combo Bolts, **(Figure 5)**. Do not tighten hardware.
- Level and adjust the Sidebar and tighten all hardware.
- Repeat **Steps 1—7** to attach the Driver/Left Sidebar.
- Do periodic inspections to the installation to make sure that all hardware is secure and tight.

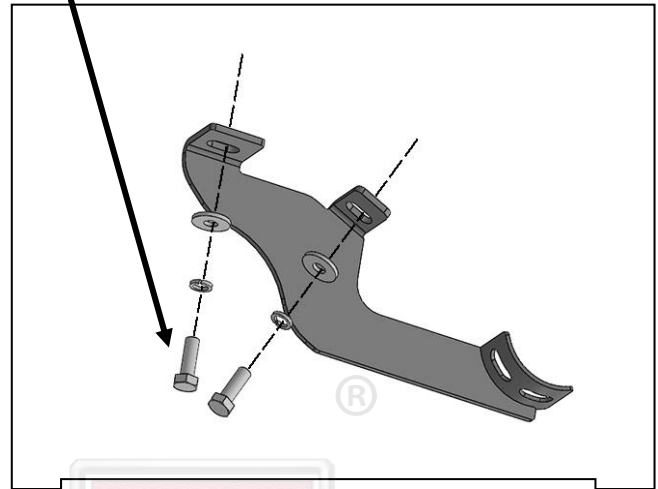
**To protect your investment,** Do not use any type of polish or wax that may contain abrasives that could damage the finish. Mild soap may be used to clean the Sidebars.

### Passenger/Right side Installation Pictured

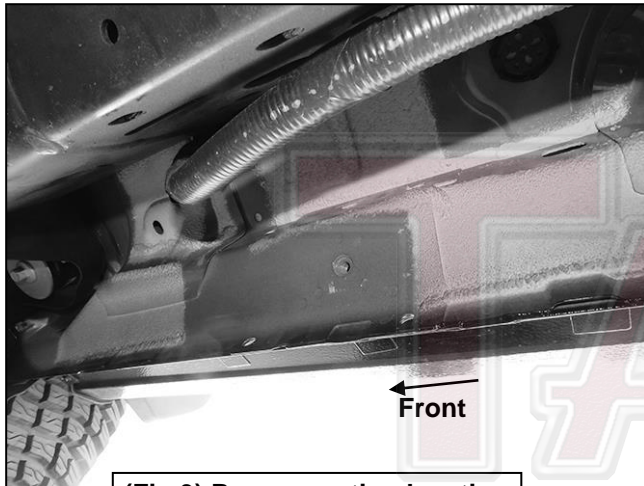


(Fig 1) Passenger/Right front mounting location

- (2) 10mm Hex Bolts
- (2) 10mm Lock Washers
- (2) 10mm Flat Washers

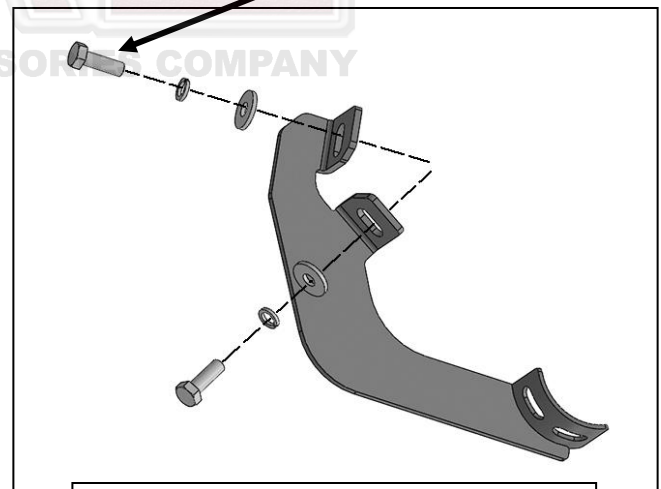


(Fig 2) Attach the Passenger/Right Front Mounting Bracket to the front location

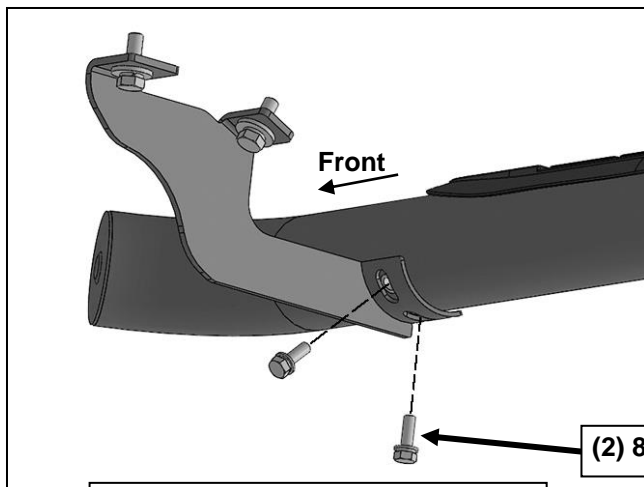


(Fig 3) Rear mounting location (Driver/Left side shown)

- (2) 10mm Hex Bolts
- (2) 10mm Lock Washers
- (2) 10mm Flat Washers



(Fig 4) Attach (1) Passenger/Right Rear Mounting Bracket to the center location



(Fig 5) Attach the Passenger/Right Sidebar to the Mounting Brackets

- (2) 8mm Combo Bolts