



INSTALLATION INSTRUCTIONS

Side Steps

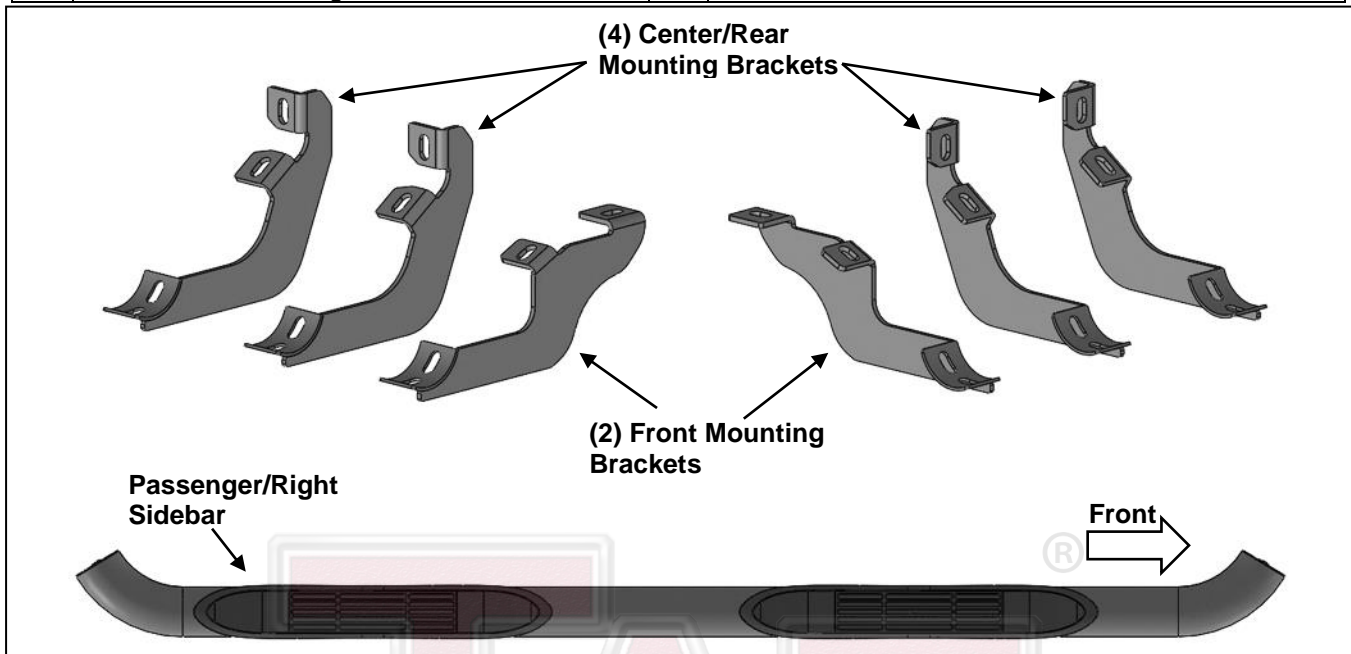
**TAC Side Steps Running Boards Compatible with 2021-2024 Ford
Bronco 4 Door SUV 3" Black Side Bars Step Rails Nerf Bars Off Road
Accessories (2 pcs Running Boards))**

PART# 215020

TRUCK ACCESSORIES COMPANY

PARTS LIST:

1	Driver/Left 3inch Sidebar	12	10mm x 30mm Hex Bolts
1	Passenger/Right 3inch Sidebar	12	10mm Lock Washers
2	Front Mounting Brackets	12	10mm x 27mm OD x 3mm Flat Washers
4	Center/Rear Mounting Brackets	12	8mm x 25mm Combo Bolts

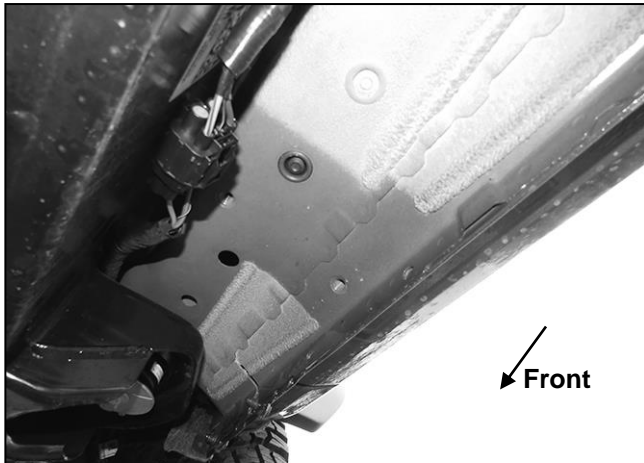


PROCEDURE:

- 1. REMOVE CONTENTS FROM BOX. VERIFY ALL PARTS ARE PRESENT. READ INSTRUCTIONS CAREFULLY BEFORE STARTING INSTALLATION.**
- Starting from underneath the Passenger/Right body panel, locate the front mounting location and the threaded holes in the body panel, **(Figure 1)**. Remove the plastic plugs covering the holes.
- Select the Passenger/Right Front Mounting Bracket. Attach the Mounting Bracket to the front location with (2) 10mm Hex Bolts, (2) 10mm Lock Washers and (2) 10mm Flat Washers, **(Figure 2)**. Do not tighten hardware.
- Repeat **Steps 2 & 4** to attach (2) Center/Rear Mounting Brackets to the center and rear locations, **(Figures 3—5)**. Do not tighten hardware.
- Select the Passenger/Right Sidebar. Place the Sidebar onto the cradles of the Mounting Brackets. **IMPORTANT:** Do not rotate or slide the Sidebar front to back or damage to the finish may result. Attach the Sidebar to the Mounting Brackets with (6) 8mm Combo Bolts, **(Figure 6)**. Do not tighten hardware.
- Level and adjust the Sidebar and tighten all hardware.
- Repeat **Steps 1—7** to attach the Driver/Left Sidebar.
- Do periodic inspections to the installation to make sure that all hardware is secure and tight.

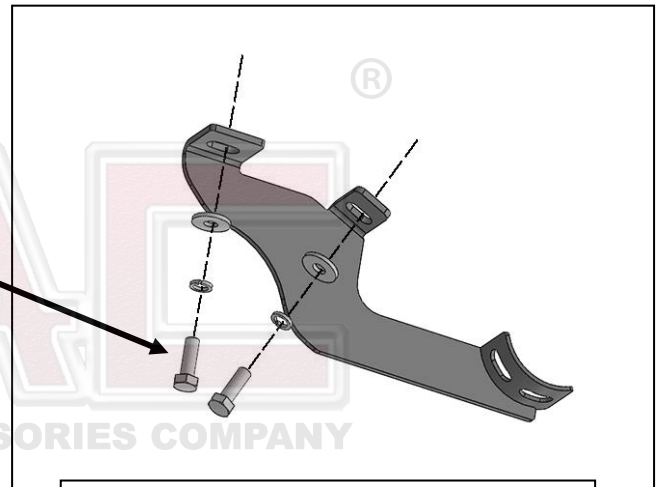
To protect your investment, Do not use any type of polish or wax that may contain abrasives that could damage the finish. Mild soap may be used to clean the Sidebars.

Passenger/Right side Installation Pictured

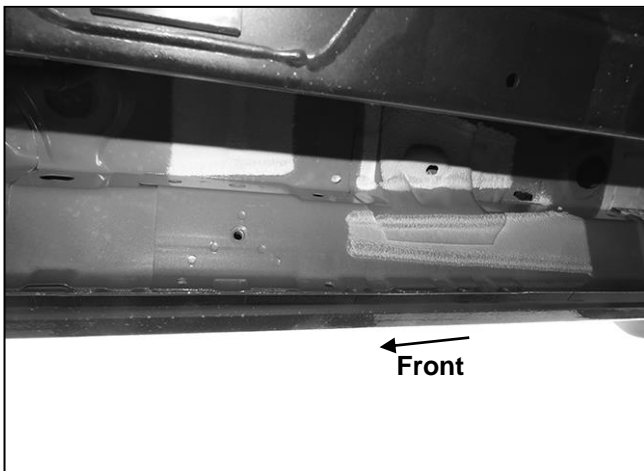


(Fig 1) Passenger/Right front mounting location

- (2) 10mm Hex Bolts
- (2) 10mm Lock Washers
- (2) 10mm Flat Washers

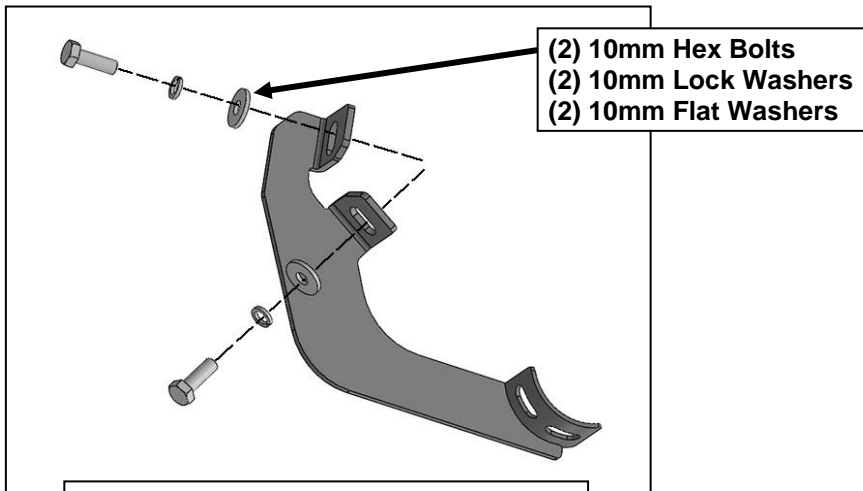


(Fig 2) Attach the Passenger/Right Front Mounting Bracket to the front location

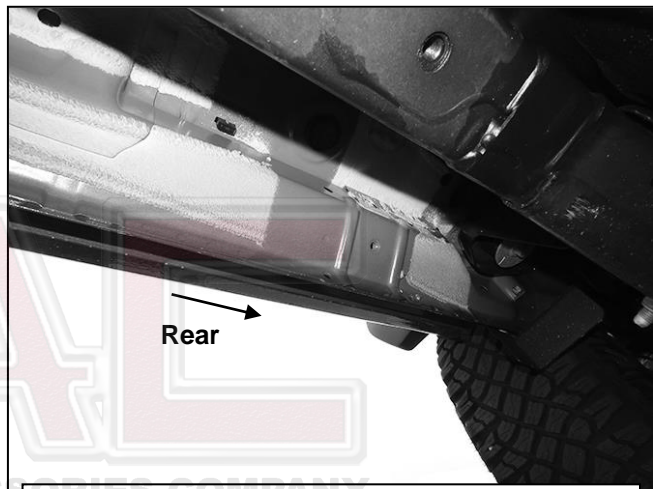


(Fig 3) Passenger/Right center mounting location

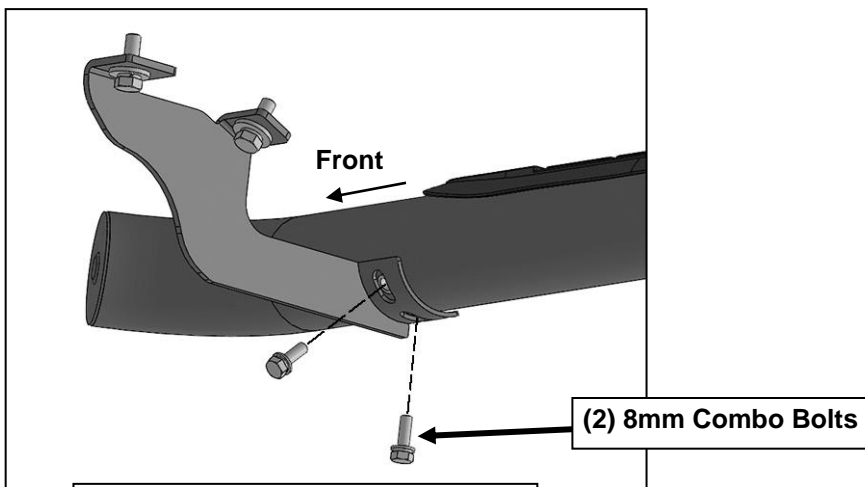
Passenger/Right side Installation Pictured



(Fig 4) Attach (1) Passenger/Right Rear Mounting Bracket to the center location



(Fig 5) Passenger/Right rear mounting location



(Fig 6) Attach the Passenger/Right Sidebar to the Mounting Brackets