



# **INSTALLATION INSTRUCTIONS**

**VIEWPOINT RUNNING BOARD**

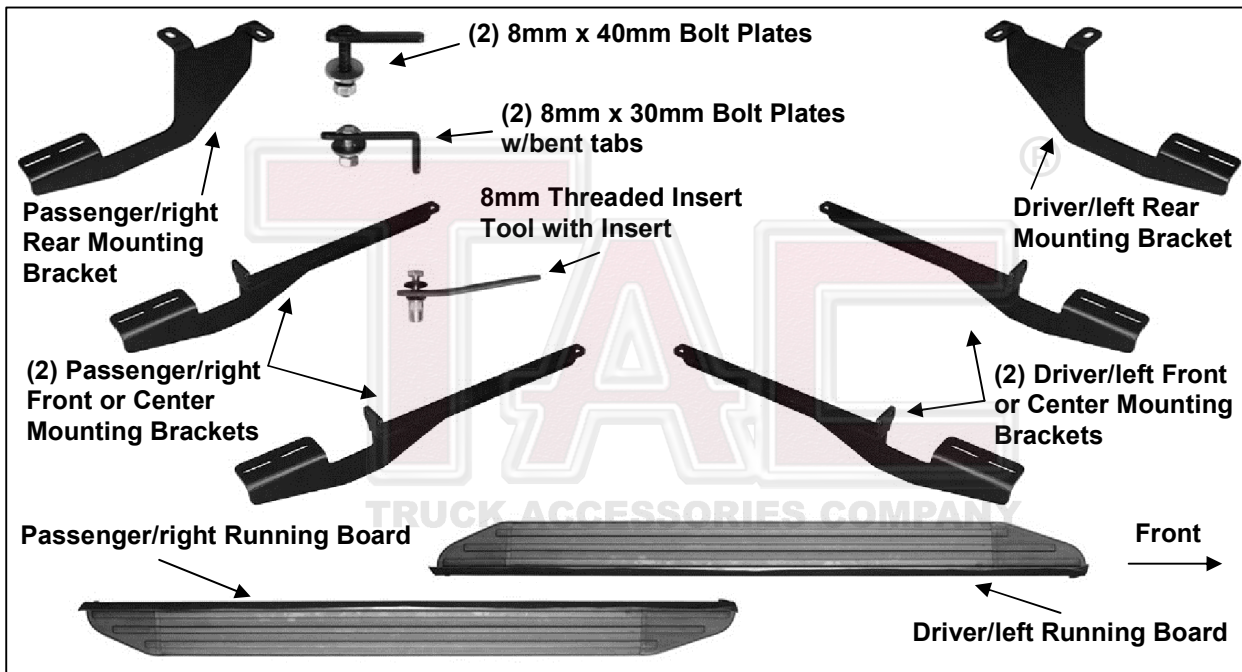
**2014-2020 NISSAN ROGUE**

**EXCLUDES 2014 "SELECT" MODEL AND "SPORT" MODEL**

**PART# 141900**

**PARTS LIST:**

Qty	Description	Qty	Description
1	Driver/left Running Board	4	8-1.25mm x 25mm Hex Bolts
1	Passenger/right Running Board	8	8mm x 24mm OD x 2mm Flat Washers
2	Driver/left Front and/or Center Brackets	8	8mm Lock Washers
2	Passenger/right Front and/or Center Brackets	4	8mm Hex Nuts
1	Driver/left Rear Bracket	12	6mm T-Bolts
1	Passenger/right Rear Bracket	8	6-1.0mm x 25mm Hex Bolts
2	8-1.25mm x 30mm Bent Tab Bolt Plates	12	6mm x 22mm OD x 2mm Flat Washers
2	8-1.25mm x 40mm Bolt Plates	16	6mm x 12mm x 1.6mm Flat Washers
2	8-1.25mm Threaded Insert	20	6mm Lock Washers
1	Threaded Insert Tool	20	6mm Hex Nuts



**PROCEDURE:**

- REMOVE CONTENTS FROM BOX. VERIFY ALL PARTS ARE PRESENT. READ INSTRUCTIONS CAREFULLY BEFORE STARTING INSTALLATION. DRILLING/CUTTING IS REQUIRED.**
- Start installation on the passenger side of the vehicle. Remove the plastic rocker panel cover running from wheel opening to wheel opening, **(Figure 1)**. **NOTE:** Removal of the rocker panel cover is not mandatory but it is highly recommended.
- Locate the (2) factory hex bolts in the bottom of the inner frame channel, **(Figure 1)**. Remove only the rear hex bolt if equipped, **(Figure 2)**. Do not remove the front hex bolt.
- Select (1) passenger side front/center Mounting Bracket, **(Figure 3)**. **NOTE:** When properly installed, the mounting cradles on all (3) Brackets will point toward the rear of the vehicle.
- Attach the inner end of the Bracket to the frame channel with (1) 8mm Hex Bolt, (1) 8mm Lock Washer and (1) 8mm Flat Washer, **(Figure 4)**. Line up the tab on the Bracket with the outside of the pinch weld. Use a clamp to temporarily attach the tab on the Bracket to the pinch weld.
- Move toward the rear of the vehicle. Locate the factory holes in the bottom of the floor panel behind the jack point on the pinch weld directly in front of the rear suspension mount, **(Figure 5)**. Select (1) 8mm Bolt Plate, **(Figure 6A)**. Insert the Bolt Plate into the round hole in the inner floor panel, **(Figure 6C)**. Select (1) 8mm Bolt Plate with Bent Tab, **(Figure 6B)**. Insert the Bolt Plate into the oval hole. Feed the

threaded end of the Bolt Plate into and out of the smaller outer hole. **NOTE:** Hold the passenger side Rear Bracket up in place to help determine the correct mounting holes for the Bracket.

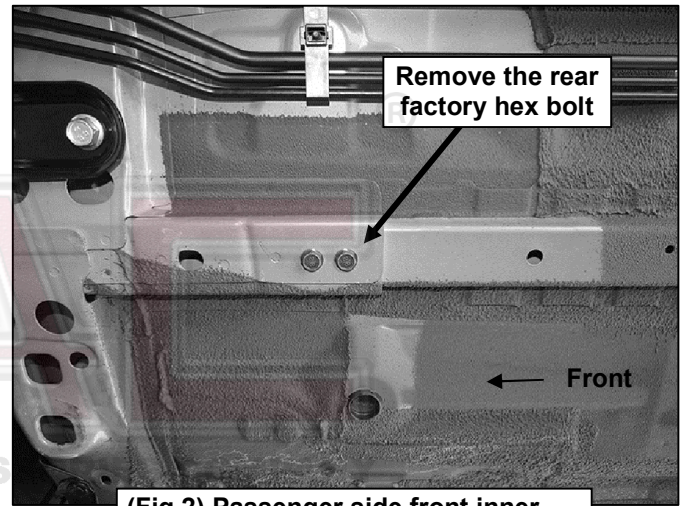
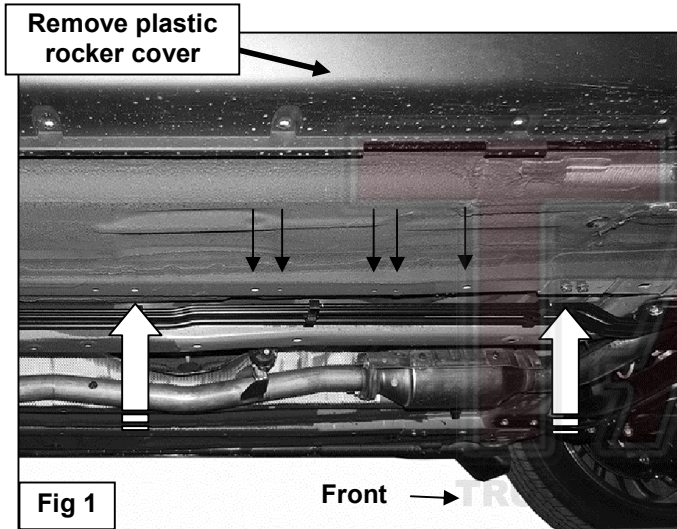
7. Select the passenger side Rear Bracket, **(Figure 7)**. Attach the Bracket to the (2) Bolt Plates with (2) 8mm Flat Washers, (2) 8mm Lock Washers and (2) 8mm Hex Nuts, **(Figure 8)**. Do not tighten hardware at this time.
8. Carefully unwrap and select the passenger side Running Board. Select (6) 6mm T-Bolts. From the front, insert (3) T-Bolts into each channel in the bottom of the Running Board, **(Figure 9)**. Slide the T-Bolts forward, to the center and to the back to line up with the front and back Mounting Brackets, **(Figures 8 & 10)**. Hold the Running Board up to the vehicle at a slight angle and push it into position onto the Brackets. **NOTE:** It may be necessary to loosen the front and rear Brackets to fit the Running Board between the body and the Brackets.
9. Attach the Running Board to the Mounting Brackets with the included (4) 6mm x 22mm Large Flat Washers, (4) 6mm Lock Washers and (4) 6mm Hex Nuts, **(Figures 8 & 10)**. Center (2) T-Bolts will not be used at this time. Do not tighten hardware.
10. Line up the Running Board with the front and rear of the vehicle. Once properly aligned, tighten the hardware and clamp attaching the front and rear mounting Brackets to the vehicle only.
11. Move to the center of the vehicle. Locate the holes in the bottom of the inner frame channel, **(Figure 1)**. Locate the 6th hole back from the front bracket mounting location. **IMPORTANT:** Mark the correct mounting hole before moving to **Step 12, (Figure 11)**.
12. Select (1) 8mm Hex Bolt, (1) 8mm Flat Washer, (1) 8mm Insert Tool and (1) 8mm Threaded Insert. Assemble the tool as pictured in **Figure 12**. Hold the Tool assembly and push the threaded Insert into the correct hole in the frame channel identified in **Step 11, (Figures 1 & 11)**. **IMPORTANT:** Threaded Insert cannot be removed once installed. Verify that Insert is in the correct hole in the frame channel before proceeding.
13. Hold the Insert in place by firmly grasping the handle on the Tool. Turn the Hex Bolt, (tighten), with wrench to expand the Insert in the hole in the frame channel, **(Figures 13A & 13B)**. Once the Insert is fully compressed/expanded, remove the Hex Bolt and Tool from the Insert. **WARNING:** Do not over-tighten the Insert or damage to the part or Insert may result.
14. Bolt the inner end of the center Bracket to the Insert with (1) 8mm Hex Bolt, (1) 8mm Lock Washer and (1) 8mm Flat Washer, **(Figure 14)**. Use a clamp to temporarily attach the outer end of the Bracket to the pinch weld to help hold up the Bracket as described in **Step 5, (Figure 14)**.
15. Level and adjust the Running Board to the vehicle. Once properly adjusted, mark the location of the front, **(Figure 15)**, and center, **(Figure 16)**, mounting tabs onto the outside of the pinch weld. **IMPORTANT:** Adjust the Running Board height, (push upward), so that when level, the holes in the mounting tabs are not too close to the bottom edge of the pinch weld.
16. Remove the Running Board and loosen or remove the front and center Brackets. Use a 1/4" drill bit to drill out the (4) holes in the pinch weld for the front and center Brackets.  
**IMPORTANT!** Any cutting or drilling tool may break or shatter. Government regulations require safety glasses & equipment at all times when cutting or drilling.
17. Reinstall the front Bracket as previously described. Attach the outer end of the Bracket to the outside of the pinch weld with (2) 6mm Hex Bolts, (4) 6mm x 12mm Small Flat Washers, (2) 6mm Lock Washers and (2) 6mm Hex Nuts, **(Figure 17)**.
18. Repeat **Step 17** to reinstall the center Bracket, **(Figure 18)**.
19. Hold the plastic rocker panel cover up in position over the mounting tabs on the front and center Brackets, **(Figure 19)**. Apply removable tape, (masking tape for example), to the plastic cover. Mark the location of the mounting tabs onto the tape, not the cover. Use a sharp knife or hacksaw blade to carefully cut out a section of the cover to clear each mounting tab. **IMPORTANT:** Trim as little as possible to clear the mounting tab and hardware. **NOTE:** Primarily, the cover will need to be trimmed to clear the tab on the center mounting Bracket, **(Figure 19)**. The front of the cover may only need minor trimming to clear the tab, **(Figure 17)**. Reinstall the rocker cover with the factory hardware once properly clearanced.

20. Reinstall the Running Board as previously described. Attach the Running Board to the center Bracket with (2) 6mm x 22mm Large Flat Washers, (2) 6mm Lock Washers and (2) 6mm Hex Nuts, **(Figure 18)**
21. Adjust the Running Board properly and tighten all hardware at this time.
22. Repeat **Steps 2—21** for driver side Running Board installation.
23. Do periodic inspections to the installation to make sure that all hardware is secure and tight.

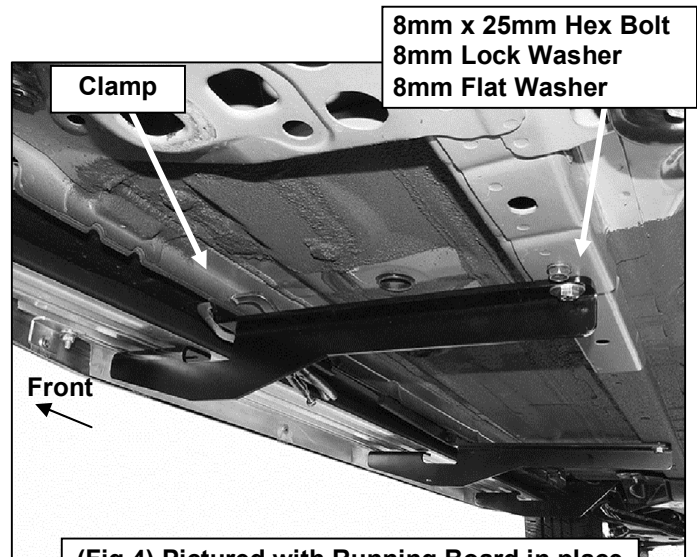
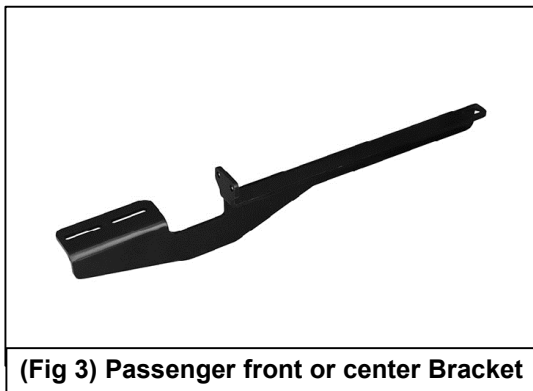
**To protect your investment**, wax this product after installing. Regular waxing is recommended to add a protective layer over the finish. Do not use any type of polish or wax that may contain abrasives that could damage the finish.

**For stainless steel:** Aluminum polish may be used to polish small scratches and scuffs on the finish. Mild soap may be used also to clean the Running Board.

### Passenger Side Installation Pictured



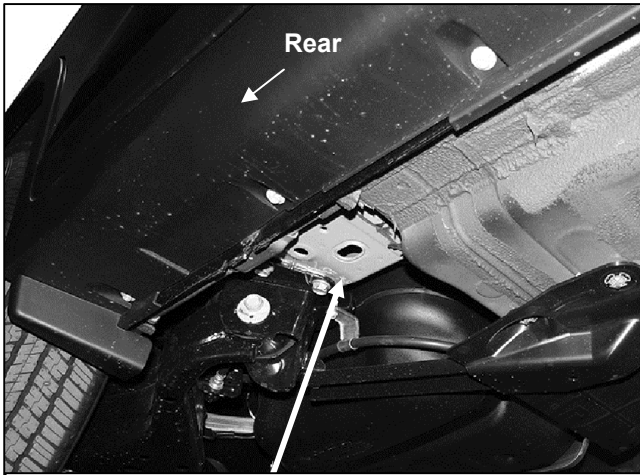
(Fig 2) Passenger side front inner location pictured from below vehicle



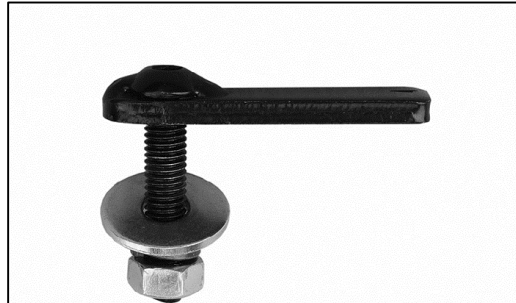
(Fig 4) Pictured with Running Board in place



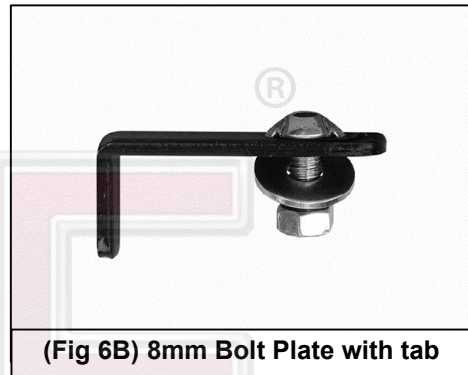
### Passenger Side Installation Pictured



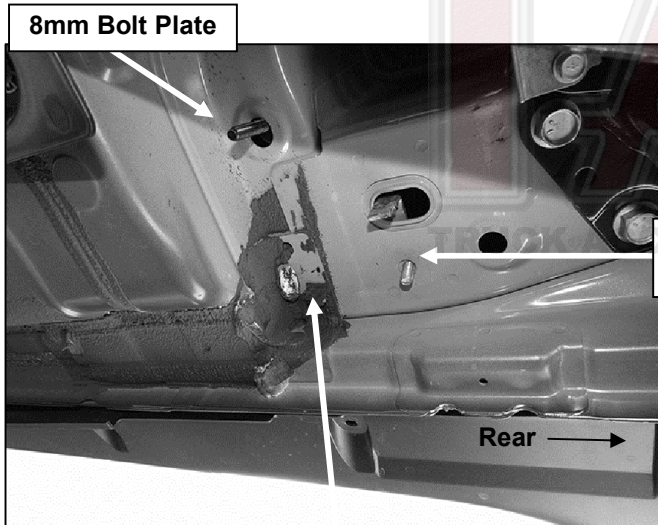
(Fig 5) Passenger side rear mounting location



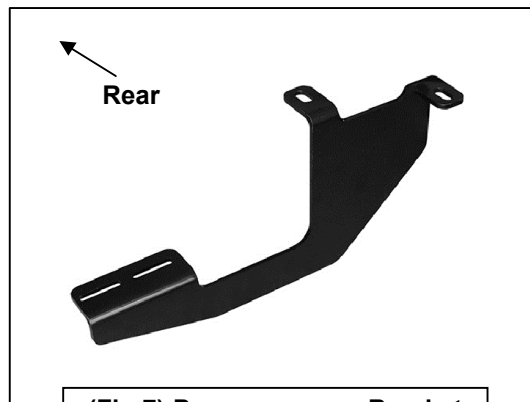
(Fig 6A) 8mm Bolt Plate



(Fig 6B) 8mm Bolt Plate with tab



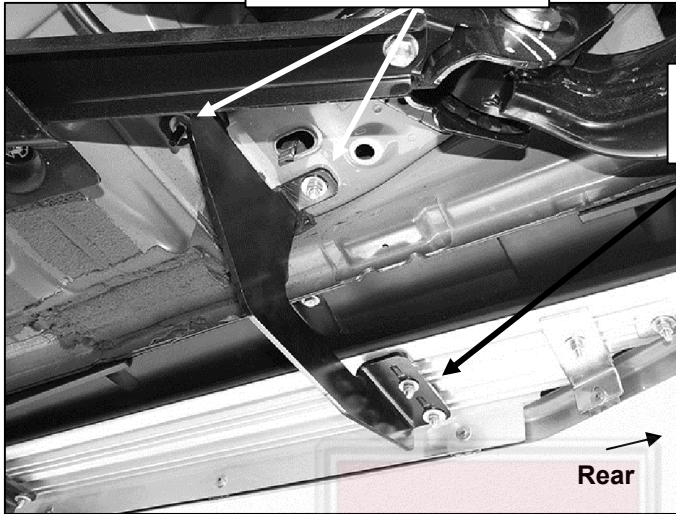
(Fig 6C) Passenger rear mounting location pictured from below. Scrape off excess sealant from mounting location before installing rear Bracket



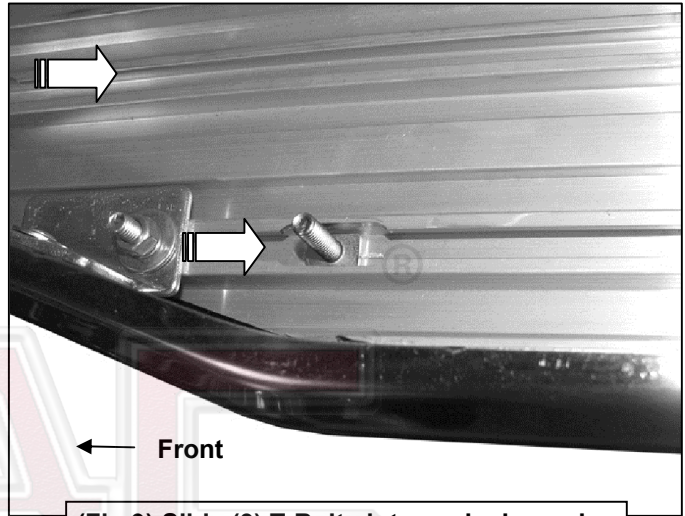
(Fig 7) Passenger rear Bracket

### Passenger Side Installation Pictured

- (2) 8mm Flat Washers
- (2) 8mm Lock Washers
- (2) 8mm Hex Nuts



- (2) 6mm x 22mm Large Flat Washers
- (2) 6mm Lock Washers
- (2) 6mm Hex Nuts



(Fig 8) Passenger side rear Bracket pictured from below vehicle

(Fig 9) Slide (3) T-Bolts into each channel

- 8mm x 25mm Hex Bolt
- 8mm Lock Washer
- 8mm Flat Washer

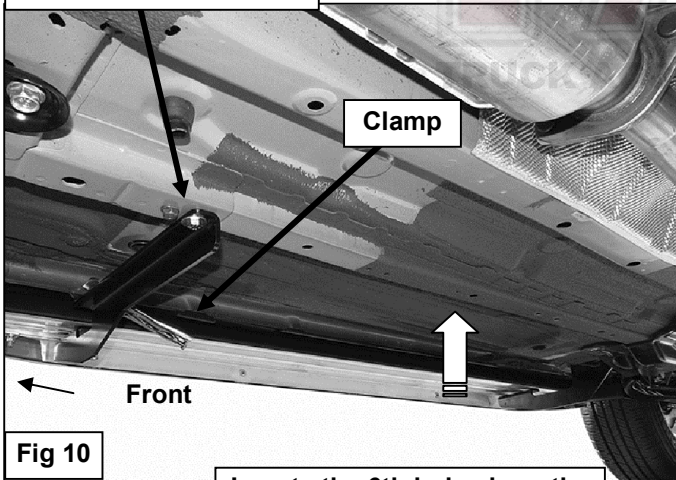
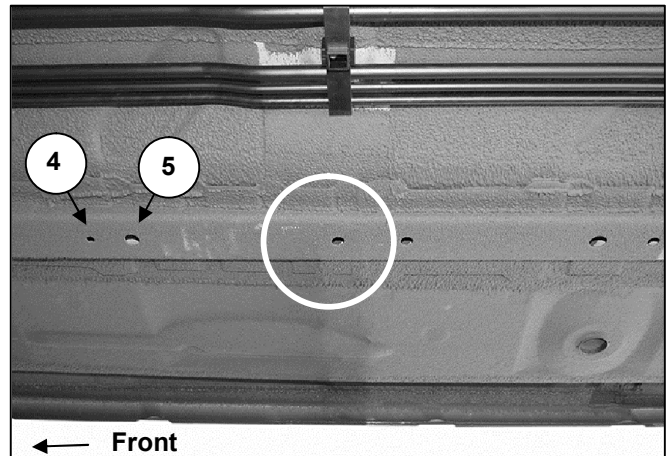


Fig 10

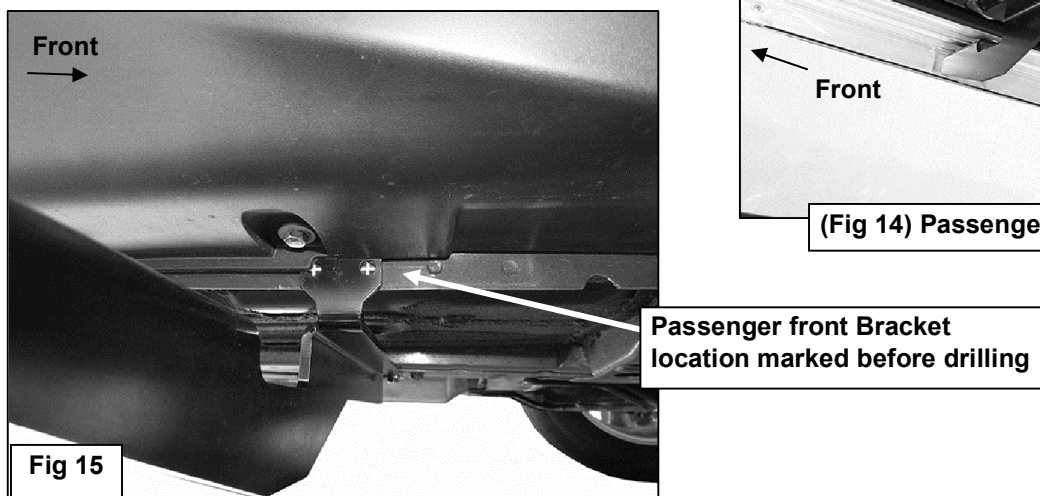
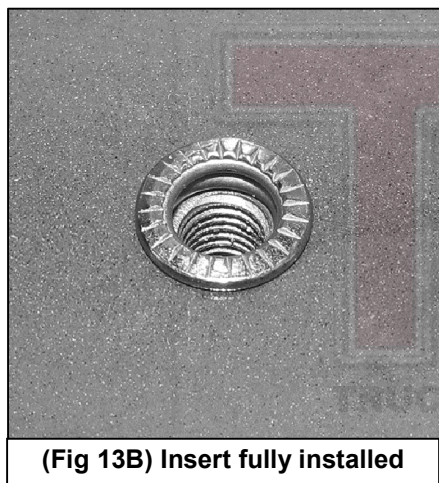
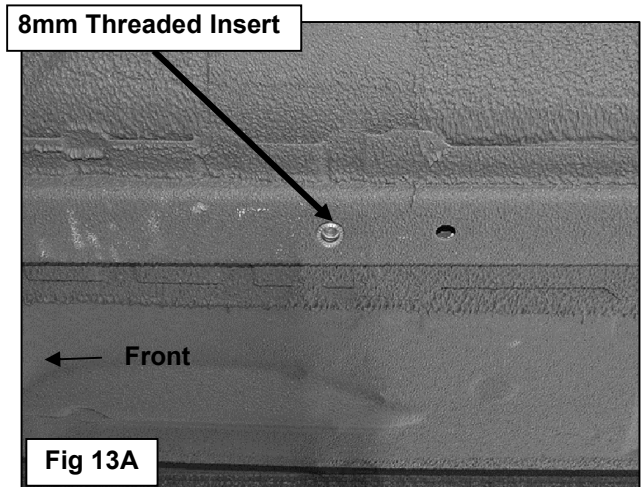
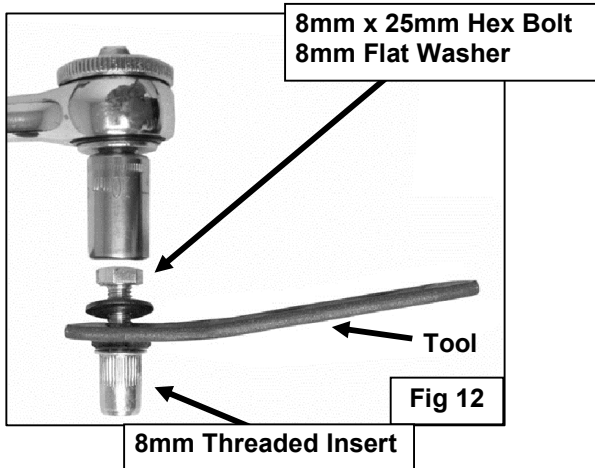
Locate the 6th hole along the bottom of the frame channel



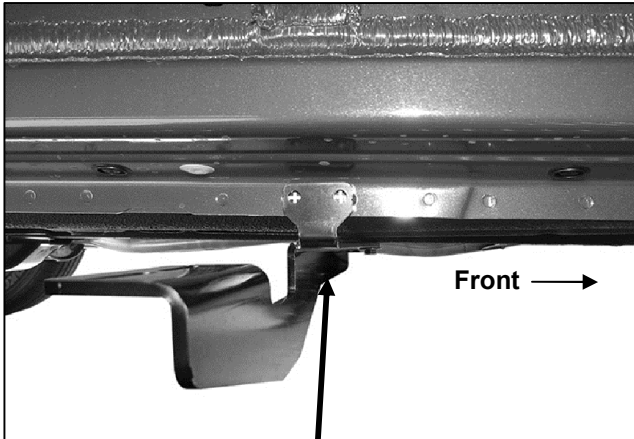
(Fig 11) Locate the 6th hole along the bottom of the frame channel. Also refer to Figure 1



**Passenger Side Installation Pictured**

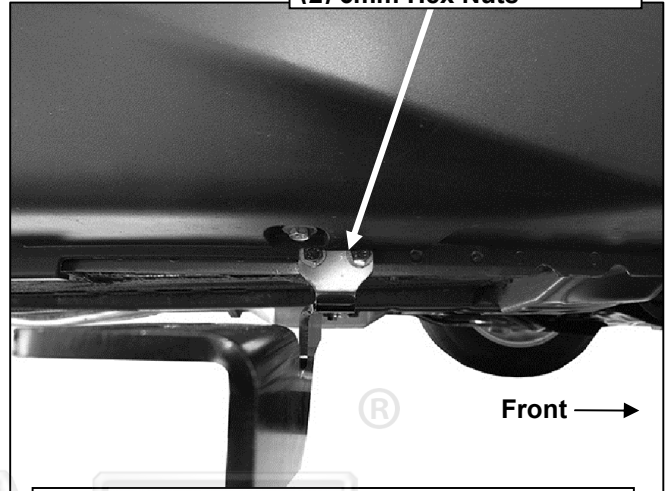


### Passenger Side Installation Pictured

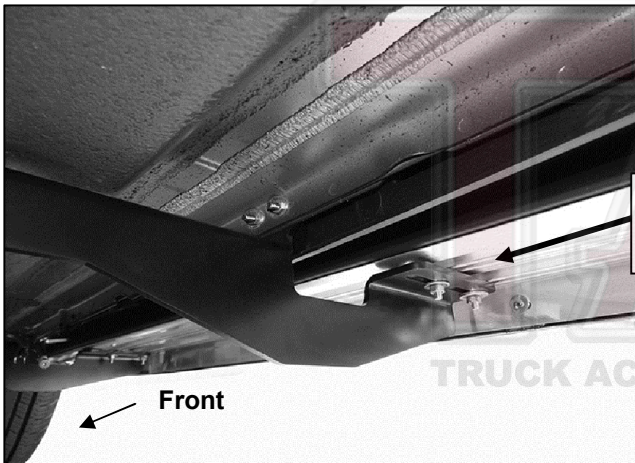


(Fig 16) Passenger center Bracket location marked before drilling (rocker panel cover removed)

- (2) 6mm x 25mm Hex Bolts
- (4) 6mm x 12mm Small Flat Washer
- (2) 6mm Lock Washer
- (2) 6mm Hex Nuts

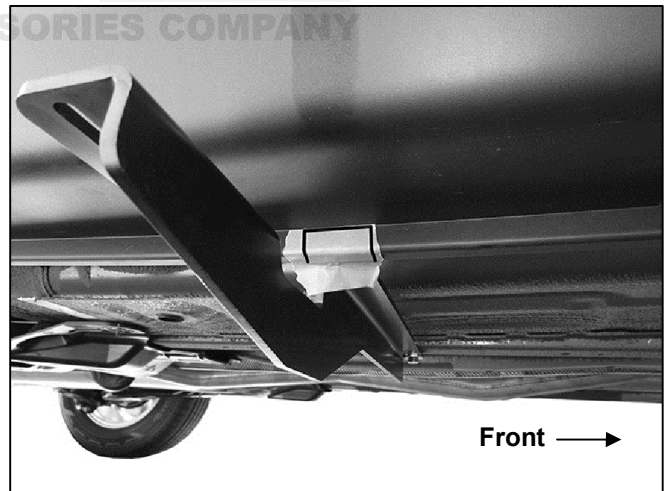


(Fig 17) Passenger side front Bracket pictured

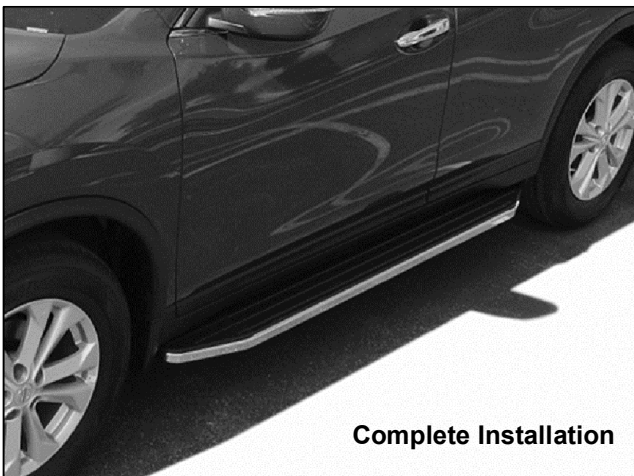


- (2) 6mm x 22mm Large Flat Washers
- (2) 6mm Lock Washers
- (2) 6mm Hex Nuts

(Fig 18) Passenger side center Bracket pictured



(Fig 19) Passenger side center Bracket pictured. Trim cover to clear Bracket after all Brackets have been lined up and installed. Marks indicating area to cut are for example only



Complete Installation