



INSTALLATION INSTRUCTIONS

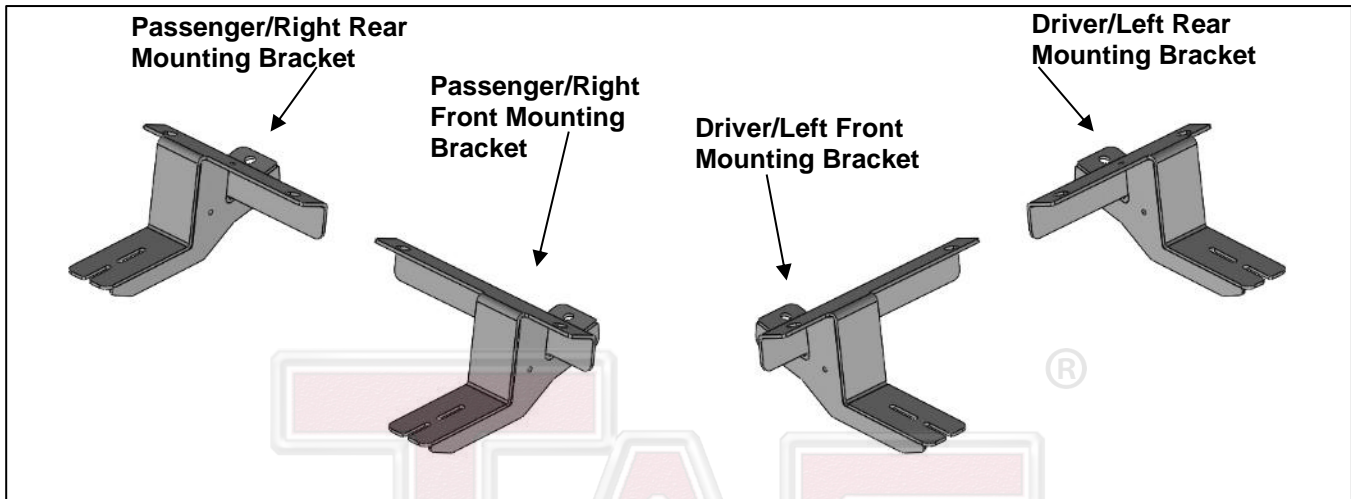
VIEWPOINT RUNNING BOARDS
2020-2024 Toyota Highlander
PART# 134500

TRUCK ACCESSORIES COMPANY

**WATCHBAND RUNNING BOARDS
2020-2024 TOYOTA HIGHLANDER**

PARTS LIST:

| | | | |
|---|--|----|-----------------------------------|
| 2 | Watchband Running Boards | 12 | 10mm x 27mm OD x 3mm Flat Washers |
| 1 | Driver/Left Front Mounting Brackets | 12 | 10-1.5mm Lock Washers |
| 1 | Passenger/Right Front Mounting Bracket | 12 | 10-1.5mm Hex Nuts |
| 1 | Driver/left Rear Mounting Bracket | 8 | 6-1.0mm x 20mm T-Bolts |
| 1 | Passenger/Right Rear Mounting Bracket | 8 | 6mm x 22mm OD x 2mm Flat Washers |
| 4 | Support Plates | 8 | 6mm Lock Washers |
| 8 | 10-1.5mm x 40mm Bolt Plates | 8 | 6-1.0mm Hex Nuts |
| 4 | 10-1.5mm x 50mm Hex Bolts | | |



PROCEDURE:

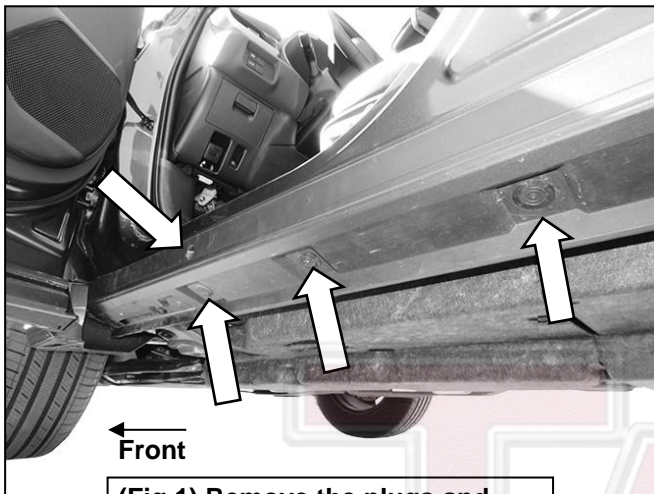
- REMOVE CONTENTS FROM BOX. VERIFY ALL PARTS ARE PRESENT. READ INSTRUCTIONS CAREFULLY. ASSISTANCE IS HIGHLY RECOMMENDED.**
- Starting on the Driver/Left side of the vehicle, open the doors to remove the screws attaching the plastic trim to the vehicle. Remove the plugs from the plastic trim. Gently pull the plastic trim away from the vehicle, **(Figure 1)**.
- Move to the front location under the Driver/Left front door, **(Figure 2)**. Select (2) 10mm Bolt Plates. Insert the Bolt Plates into the holes, **(Figure 3)**.
- Select the Driver/Left Front Mounting Bracket. Attach the Bracket to the (2) 10mm Bolt Plates with (2) 10mm Flat Washers, (2) 10mm Lock Washers and (2) 10mm Hex Nuts, **(Figures 4 & 6)**. Do not tighten hardware at this time.
- Select (1) Support Plate.
 - Thread (1) 10mm Hex Nut to (1) 10mm x 50mm Hex Bolt.
 - Slide (1) 10mm Lock Washer and (1) 10mm Flat washer onto the 10mm Hex Bolt.
 - Thread the 10mm Hex Bolt assembly into the welded nut on the back of the Mounting Bracket. Place the Support Plate onto the end of the 10mm Hex Bolt, **(Figure 5)**.
 - Tighten Hex Bolt to place the Support Plate onto the floor panel. Do not tighten Hex Bolt all the way. **NOTE:** Use the 10mm Hex Nut to adjust the level of the Mounting Bracket.
- Select the Driver/Left Rear Mounting Bracket. Repeat **Steps 2—5** to attach the Bracket to the rear location, **(Figures 7 & 8)**. Do not tighten hardware at this time.
- Place the Plastic Trim onto the Mounting Brackets. Determine where the trim needs to be cut and mark with tape, **(Figure 9)**. Using a hacksaw or knife, make small cuts on the marked trim. Reattach the plastic trim to the vehicle.
- Carefully unwrap (1) Running Board. From the front, slide (2) T-Bolts into each channel in the bottom of the Running Board, **(Figure 10)**. Slide the T-Bolts forward or back to line up with the slots in the (2) previously installed Mounting Brackets. Hold the Running Board up to the vehicle at a slight angle and gently push it into position against the rocker panel. Loosen Brackets if necessary. Insert the T-Bolts through the slots in the Brackets, **(Figure 11)**.

**WATCHBAND RUNNING BOARDS
2020-2024 TOYOTA HIGHLANDER**

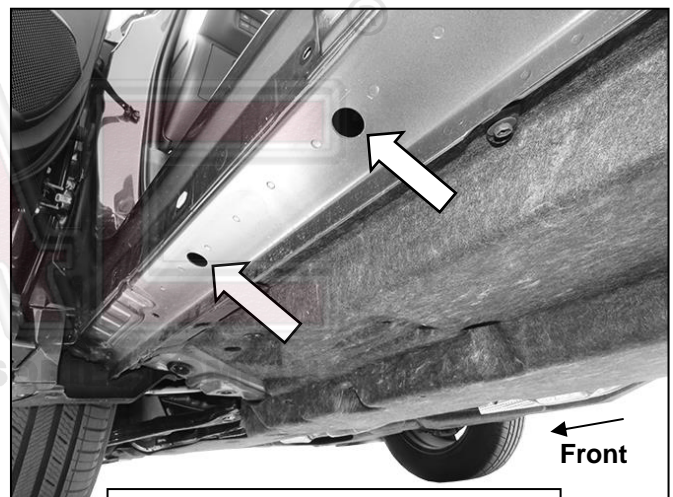
9. Attach the Running Board to the Mounting Brackets with (4) 6mm Flat Washers, (4) 6mm Lock Washers and (4) 6mm Hex Nuts, **(Figure 11)**. Do not tighten hardware at this time.
10. Level and adjust the Running Board and tighten all hardware.
11. Repeat **Steps 1—10** to attach the other Running Board onto the Passenger/Right side.
12. Do periodic inspections to the installation to make sure that all hardware is secure and tight.

To protect your investment, Do not use any type of polish or wax that may contain abrasives that could damage the finish. Use only mild soap to clean the Running Board.

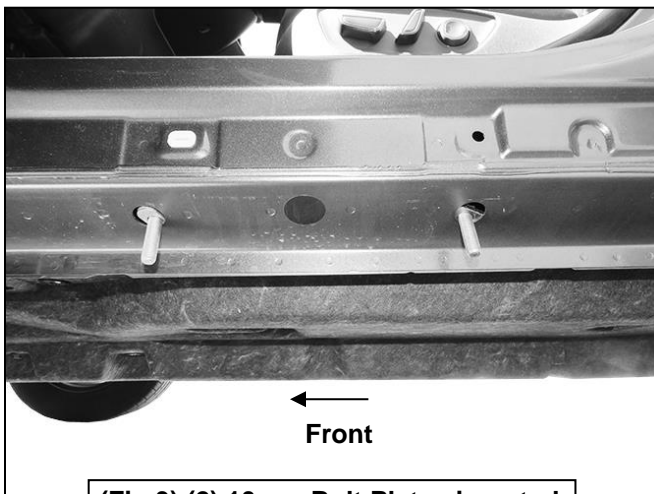
Driver/Left Side Installation Pictured



(Fig 1) Remove the plugs and screws to remove the plastic trim

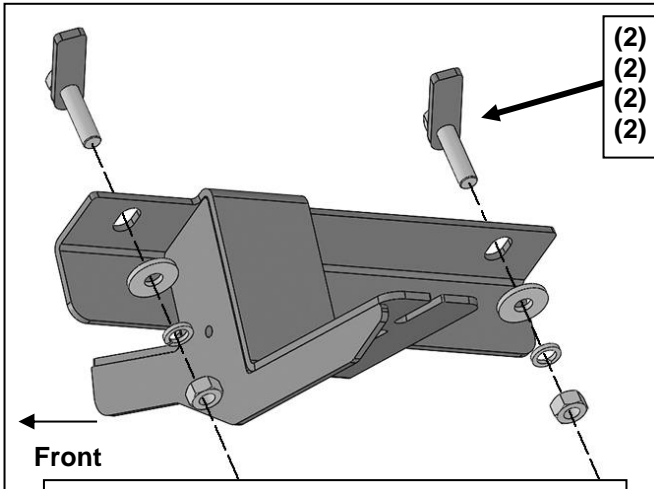


(Fig 2) Insert (2) 10mm Bolt Plates into the holes in the floor panel



(Fig 3) (2) 10mm Bolt Plates inserted into the holes in the floor panel

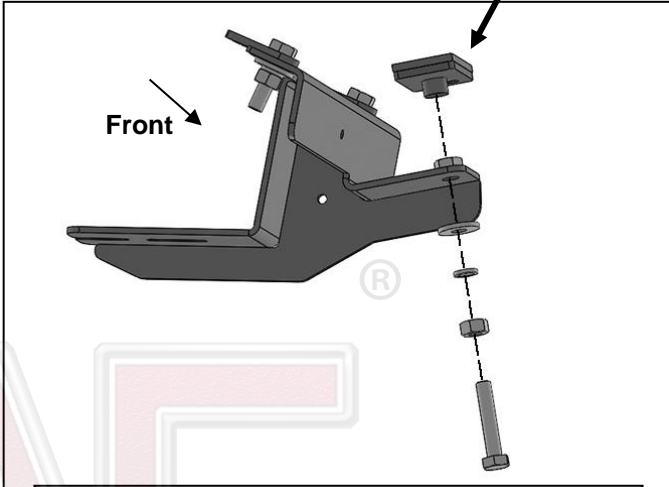
Driver/Left Side Installation Pictured



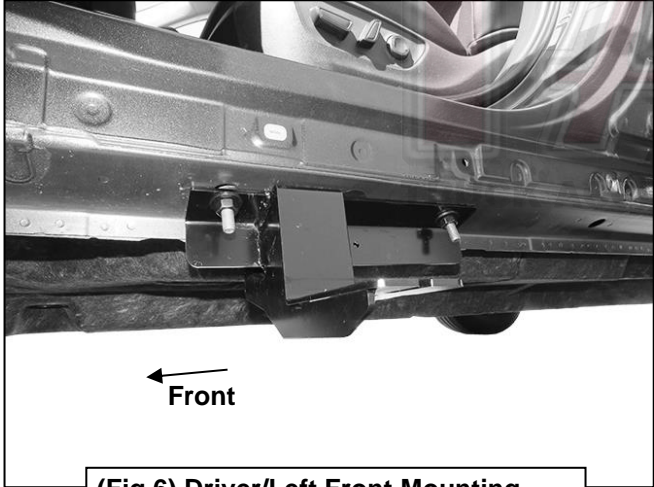
- (2) 10mm Bolt Plates
- (2) 10mm Flat Washers
- (2) 10mm Lock Washers
- (2) 10mm Hex Nuts

- 10mm Hex Bolt
- 10mm Hex Nut
- 10mm Lock Washer
- 10mm Flat Washer
- Support Plate

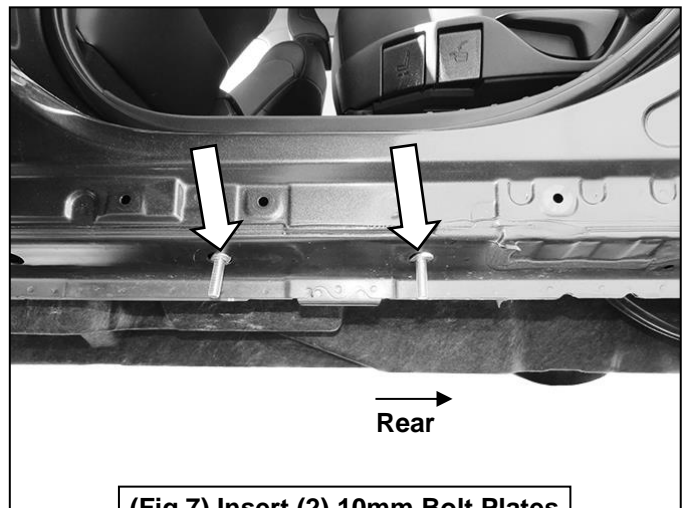
(Fig 4) Attach the Driver/Left Front Mounting Bracket to the (2) 10mm Bolt Plates



(Fig 5) Use the Support Plate to level the bracket (Note: Use the Hex nut as an adjuster)

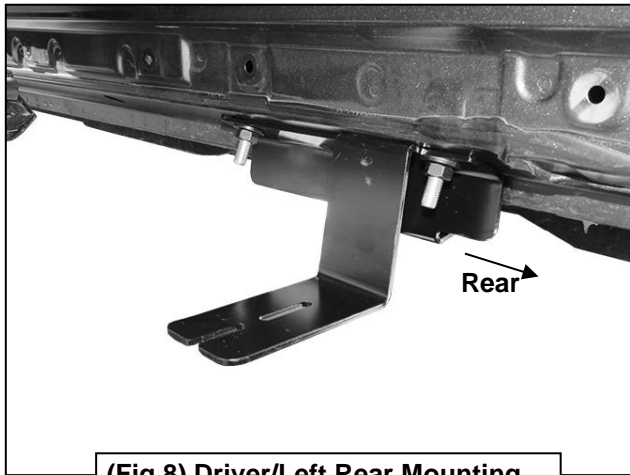


(Fig 6) Driver/Left Front Mounting Bracket attached to the front location

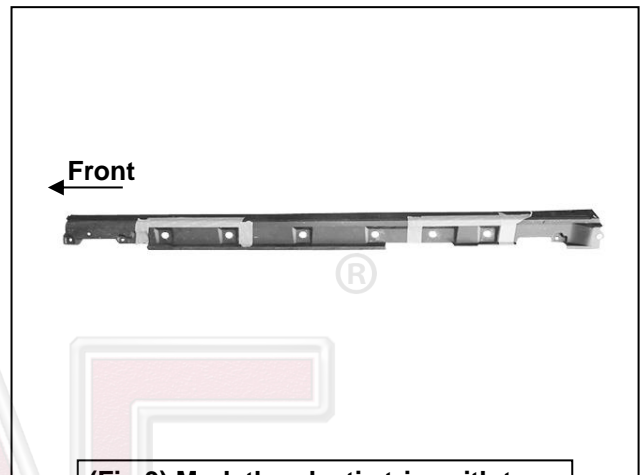


(Fig 7) Insert (2) 10mm Bolt Plates into the holes in the floor panel

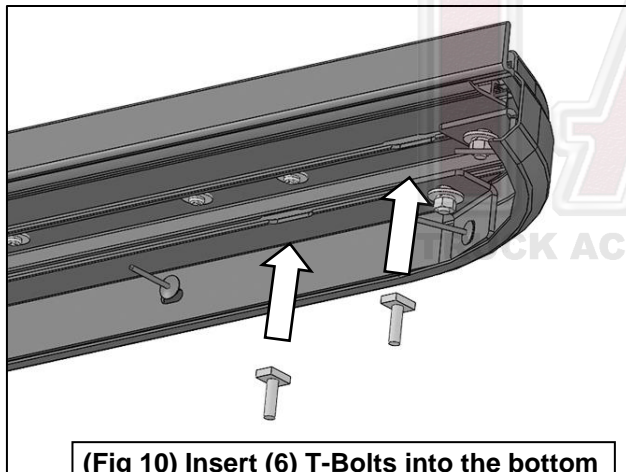
Driver/Left Side Installation Pictured



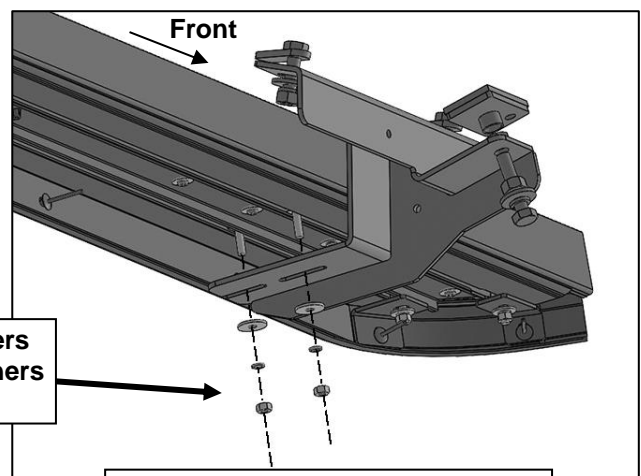
(Fig 8) Driver/Left Rear Mounting Bracket attached to the floor panel



(Fig 9) Mark the plastic trim with tape and cut to clear Mounting Brackets



(Fig 10) Insert (6) T-Bolts into the bottom of the Running Board, (3) per channel



- (2) 6mm Flat Washers
- (2) 6mm Lock Washers
- (2) 6mm Hex Nuts

(Fig 11) Attach (1) Running Board to the Mounting Brackets