



INSTALLATION INSTRUCTIONS

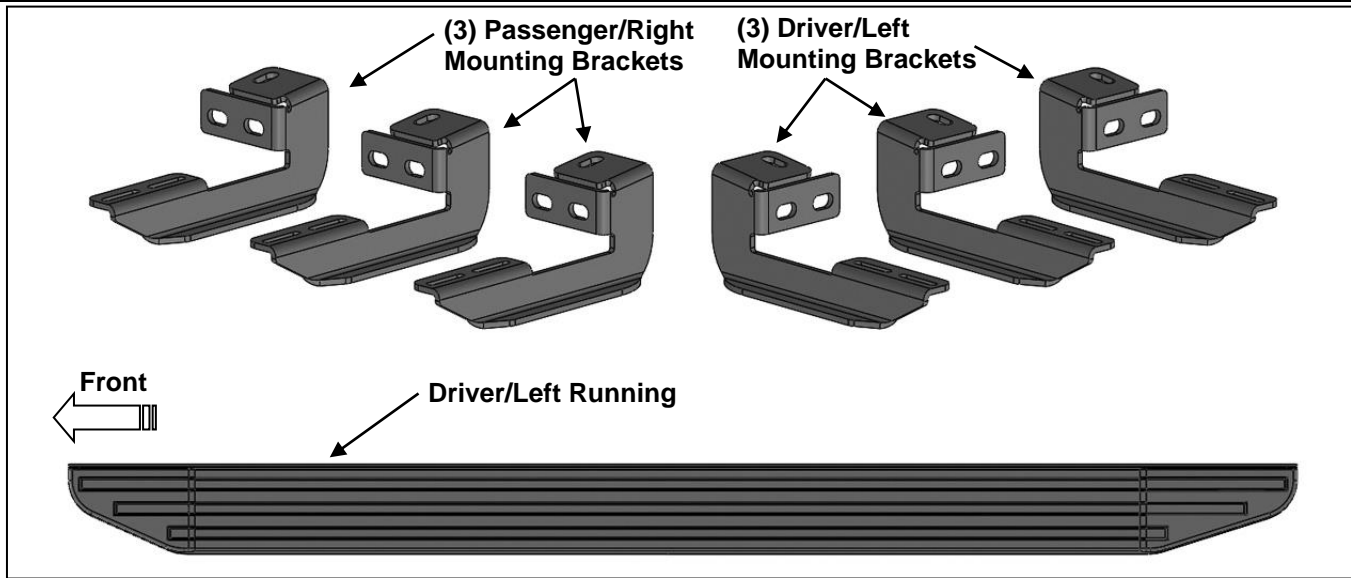
VIEWPOINT RUNNING BOARD

2020-2024 Ford Explorer

PART# 114700

PARTS LIST:

1	Driver/Left Viewpoint Running Board	12	8-1.25mm x 25mm Hex Bolts
1	Passenger/Right Viewpoint Running Board	24	8mm x 24mm OD x 2mm Flat Washers
3	Driver/Left Mounting Brackets	12	8mm Lock Washers
3	Passenger/Right Running Board	12	8mm Hex Nuts
6	10-1.5mm x 30mm Hex Bolts	12	6mm T-Bolts
6	10mm Lock Washers	12	6mm x 22mm OD x 2mm Flat Washers
6	10mm x 30mm OD x 2.5mm Flat Washers	12	6mm Lock Washers
6	10mm Clip Nuts	12	6mm Hex Nuts



PROCEDURE:

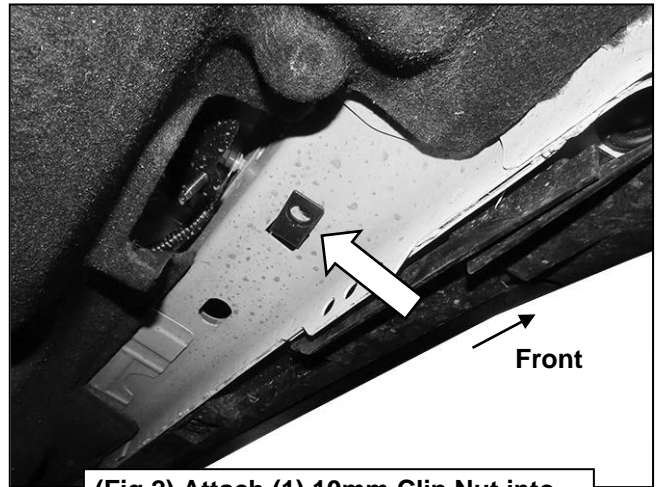
- 1. REMOVE CONTENTS FROM BOX. VERIFY ALL PARTS ARE PRESENT. READ INSTRUCTIONS CAREFULLY BEFORE STARTING INSTALLATION.**
- Starting from under the front Driver/Left side, temporarily remove the plastic side panel. Move to the floor panel, locate the square holes and (2) round holes in the pinch weld, **(Figure 1)**. Select (1) 10mm Clip Nut. Attach the Clip Nut into the square hole in the floor panel, **(Figure 2)**.
- Select (1) Driver/Left Mounting Bracket. Attach the Bracket to the 10mm Clip Nut with (1) 10mm Hex Bolt, (1) 10mm Lock Washer and (1) 10mm Flat Washer, **(Figures 3 & 5)**. Do not tighten hardware.
- Attach the Mounting Bracket to the pinch weld with (2) 8mm Hex Bolts, (4) 8mm Flat Washers, (2) 8mm Lock Washers and (2) 8mm Hex Bolts, **(Figures 4 & 5)**. Do not tighten hardware.
- Move along the body to the center mounting location, **(Figure 6)**. Repeat **Steps 2—4** to attach the Mounting Bracket to the center location. Do not tighten hardware.
- Move to the rear mounting location, **(Figure 7)**. Repeat **Steps 2—4** to attach the remaining (1) Driver/Left Mounting Bracket. Do not tighten hardware.
- Reattach the plastic side panel.
- Select the Passenger/Right Running Board. Insert (6) 6mm T-Bolts into the channels in the bottom of the Running Board, (3) per channel, **(Figure 8)**. Place the Running Board on the Brackets. Line up the T-Bolts with the Mounting Brackets. Attach the Running Board to the Brackets with (6) 6mm Flat Washers, (6) 6mm Lock Washers and (6) 6mm Hex Nuts, **(Figure 9)**. Do not tighten hardware.
- Level and adjust the Running Board and tighten all hardware.
- Repeat **Steps 2—8** to attach the Passenger/Right Running Board.
- Do periodic inspections to the installation to make sure that all hardware is secure and tight.

To protect your investment, Do not use any type of polish or wax that may contain abrasives that could damage the finish. Mild soap may be used to clean the Running Boards.

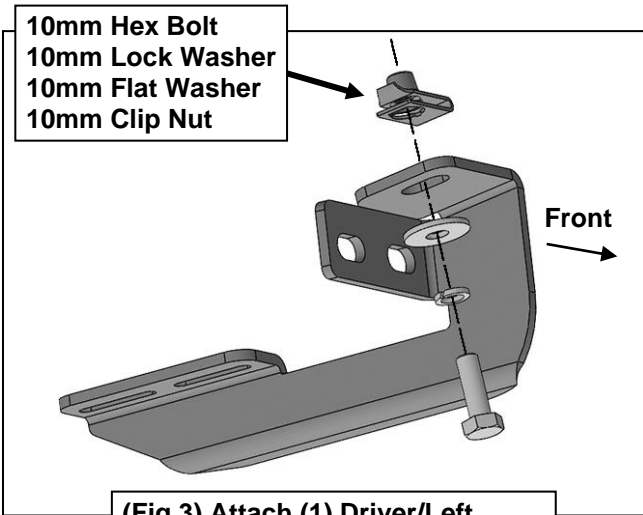
Driver/Left side Installation Pictured



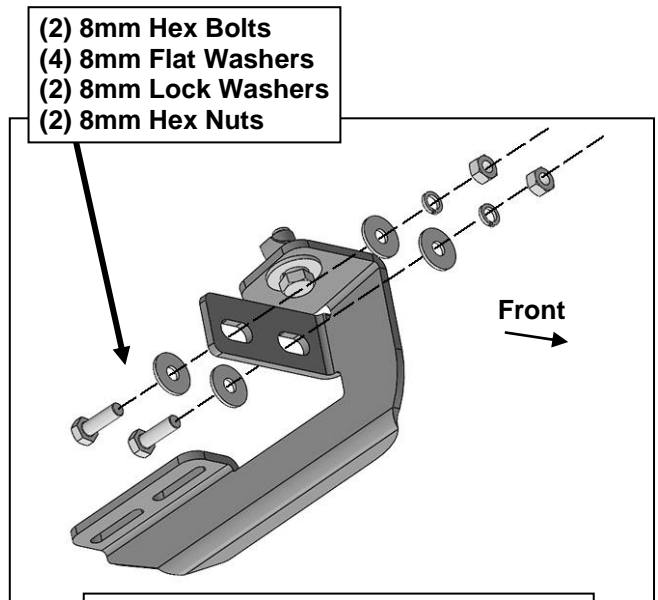
(Fig 1) Driver/Left front mounting location



(Fig 2) Attach (1) 10mm Clip Nut into the Driver/Left front mounting location



(Fig 3) Attach (1) Driver/Left Mounting Bracket to the Clip Nut

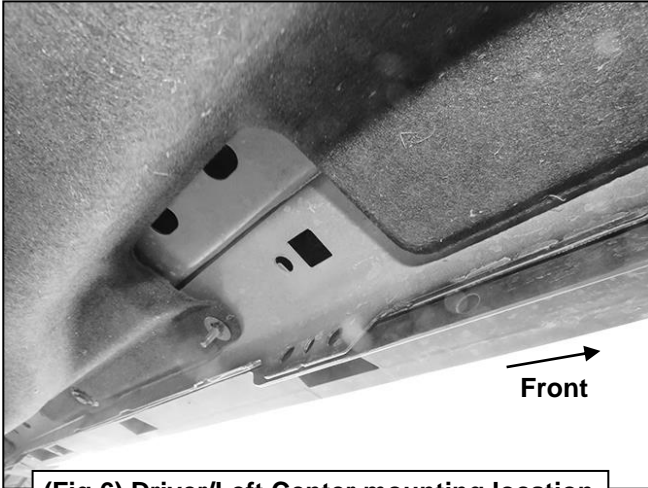


(Fig 4) Attach the Driver/Left Mounting Bracket to the pinch weld

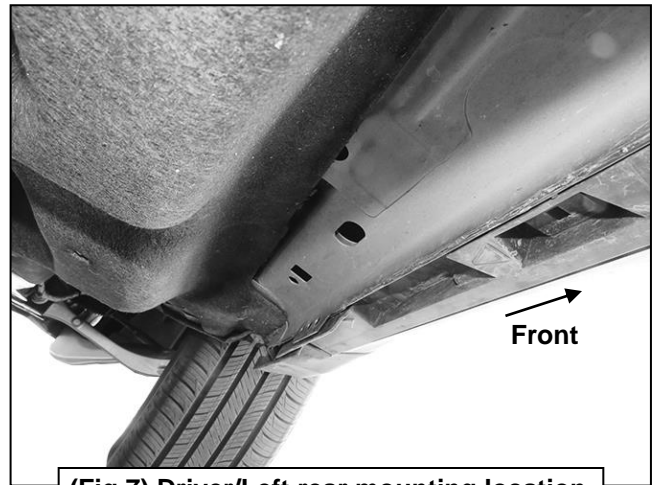


(Fig 5) Driver/Left Mounting Bracket attached to the front location

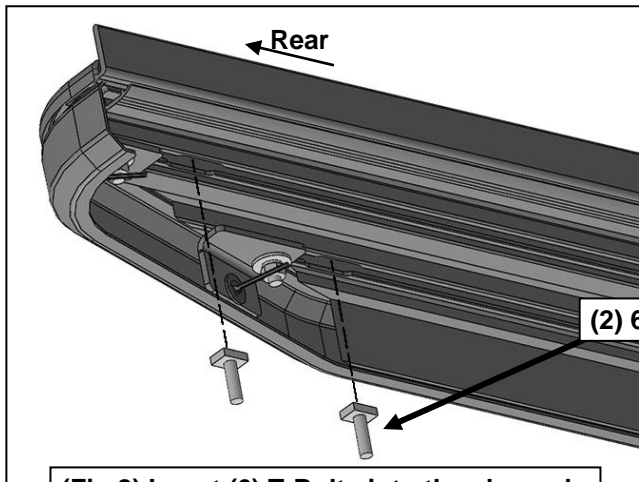
Driver/Left side Installation Pictured



(Fig 6) Driver/Left Center mounting location

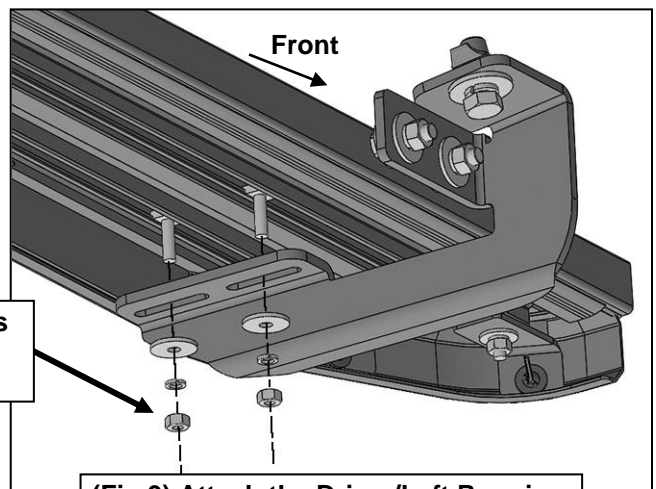


(Fig 7) Driver/Left rear mounting location



(2) 6mm T-Bolts

(Fig 8) Insert (6) T-Bolts into the channels on the bottom of the Running Board



(2) 6mm Flat Washers
(2) 6mm Lock Washers

(Fig 9) Attach the Driver/Left Running Board to the Mounting Brackets