



INSTALLATION INSTRUCTIONS

VIEWPOINT RUNNING BOARDS

2021-2023 CHEVY TAHOE

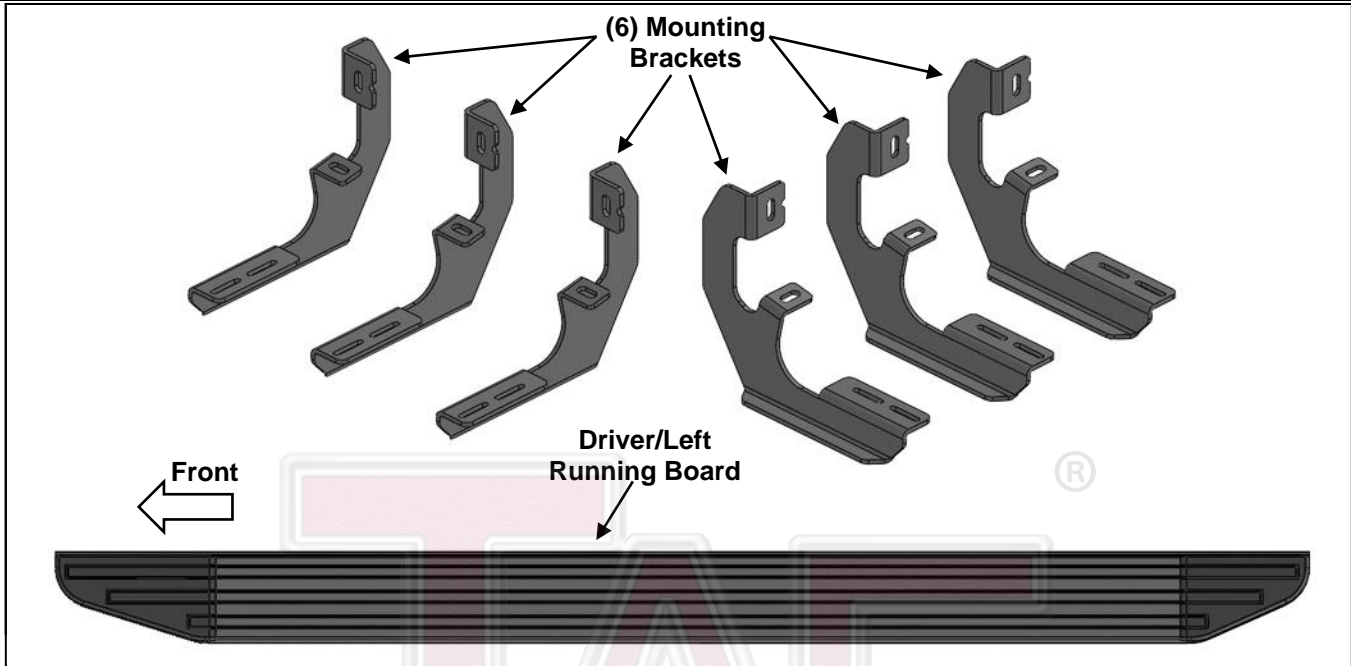
2021-2023 GMC Yukon (Excl. Yukon XL)

PART# 103010

TRUCK ACCESSORIES COMPANY

PARTS LIST:

1	Driver/Left Viewpoint Running Board	12	8mm x 24mm OD x 2mm Flat Washers
1	Passenger/Right Viewpoint Running Board	12	6mm x 20mm T-Bolts
6	Mounting Brackets	12	6mm x 18mm OD x 1.6mm Flat Washers
12	8mm x 30mm Hex Bolts	12	6mm Lock Washers
12	8mm Lock Washers	12	6mm Hex Nuts



PROCEDURE:

REMOVE CONTENTS FROM BOX. VERIFY ALL PARTS ARE PRESENT. READ INSTRUCTIONS CAREFULLY BEFORE STARTING INSTALLATION. ASSISTANCE IS RECOMMENDED.

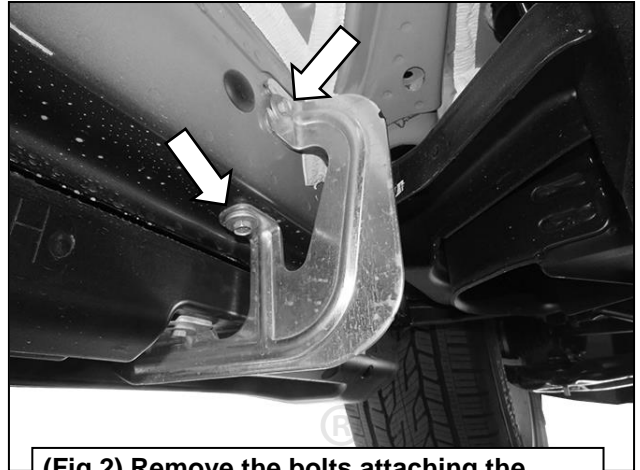
1. Start the installation under the Driver/Left side of the vehicle. Locate and remove all hardware attaching the running board and factory brackets to the rocker panel. **(Figures 1 & 2).**
2. Select (1) Mounting Bracket. Attach the Mounting Bracket to the factory threaded holes with (2) 8mm Hex Bolts, (2) 8mm Lock Washers and (2) 8mm Flat Washers, **(Figure 3)**. Do not tighten hardware.
3. Move along the body to the next mounting location. Repeat **Steps 1—3** to attach a Mounting Bracket to the center and rear mounting locations.
4. Select the Driver/Left Viewpoint Running Board. Insert (6) T-Bolts into the channels in the bottom of the Running Board, (3) per channel, **(Figure 4)**. Place the Running Board onto the Mounting Brackets and line up the T-Bolts. Attach the Running Board to the Mounting Brackets with (6) 6mm Flat Washers, (6) 6mm Lock Washers and (6) 6mm Hex Nuts, **(Figure 5)**. Do not tighten hardware.
5. Level and adjust the Running Board and fully tighten all hardware.
6. Repeat **Steps 1—5** to attach the Passenger/Right Viewpoint Running Board.
7. Do periodic inspections to the installation to make sure that all hardware is secure and tight.

To protect your investment, Do not use any type of polish or wax that may contain abrasives that could damage the finish. Mild soap may be used also to clean Running Boards.

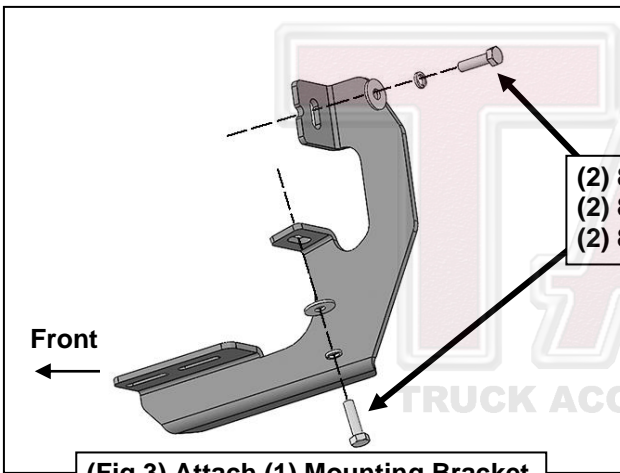
Driver/Left side Installation Pictured



(Fig 1) Remove the bolts attaching the factory running board to the floor panel

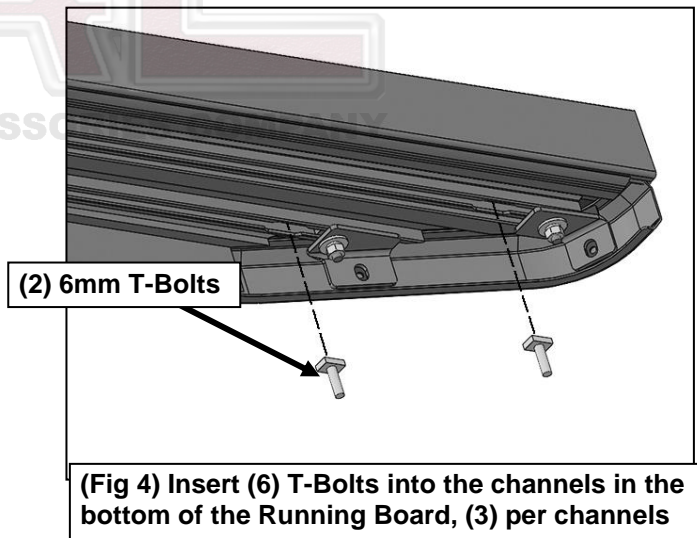


(Fig 2) Remove the bolts attaching the running board brackets to the rocker panel



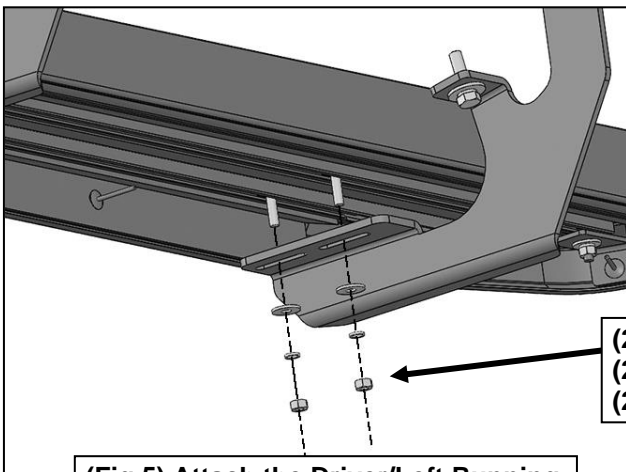
- (2) 8mm Hex Bolts
- (2) 8mm Lock Washers
- (2) 8mm Flat Washers

(Fig 3) Attach (1) Mounting Bracket to the Driver/Left front location



- (2) 6mm T-Bolts

(Fig 4) Insert (6) T-Bolts into the channels in the bottom of the Running Board, (3) per channels



- (2) 6mm Flat Washers
- (2) 6mm Lock Washers
- (2) 6mm Hex Bolts

(Fig 5) Attach the Driver/Left Running Board to the front Mounting Brackets