

REFORMER
ASSEMBLY INSTRUCTIONS

LEGACY[®]
PILATES APPARATUS

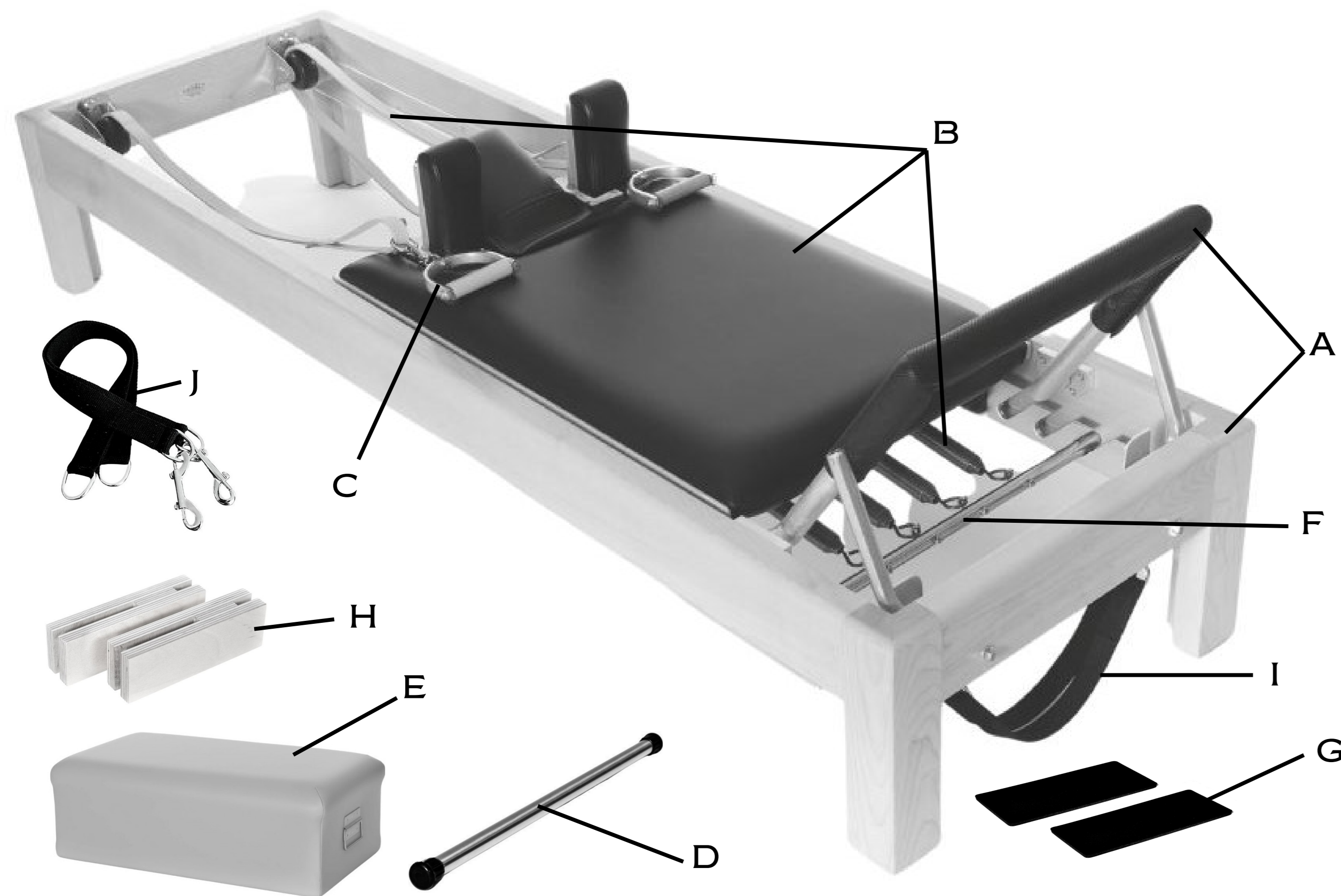


LEGACY[®]

PILATES APPARATUS

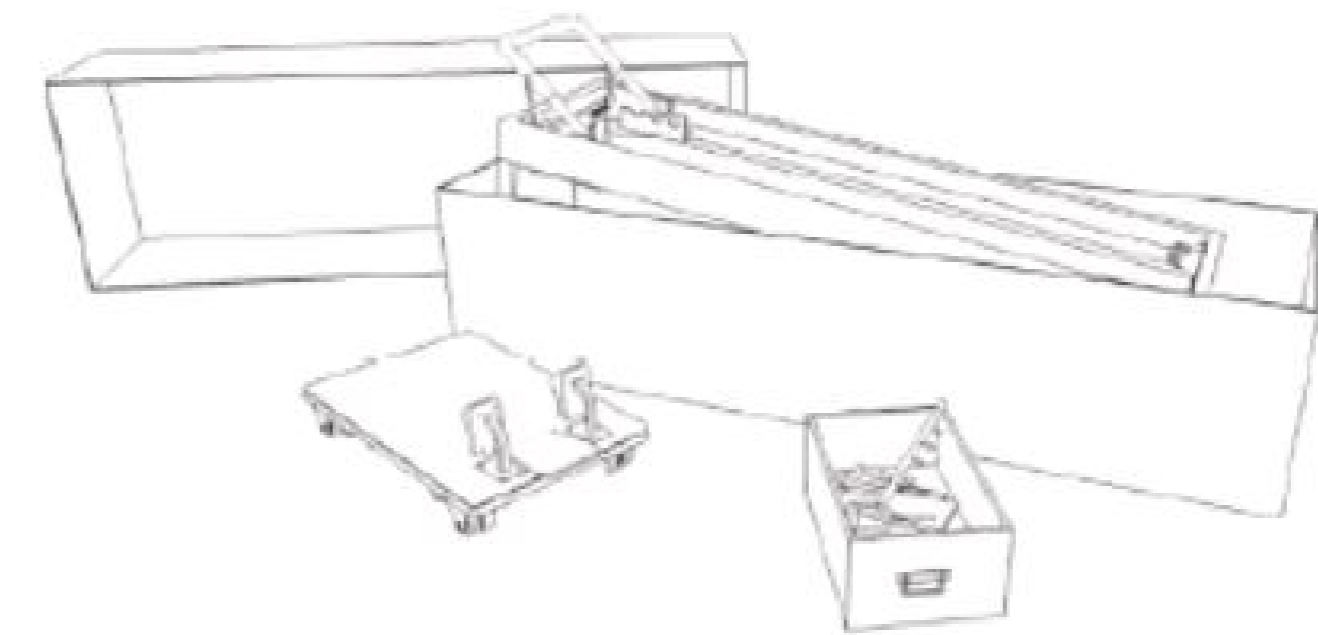
WHAT COMES IN THE BOX

- A- REFORMER FRAME WITH 1 FOOT BAR COVER
- B- CARRIAGE WITH 4 SPRINGS & 2 LEATHER STRAPS
- C- ALUMINUM & WOOD HANDLES (PAIR)
- D- WEIGHTED POLE
- E- UPHOLSTERED REFORMER BOX
- F- GEAR BOX
- G- RUBBER PADS (PAIR)
- H- SANDWICH STOPPERS (PAIR)
- I- FOOT STRAPS (PAIR)
- J- EXTENSION STRAPS (PAIR)



STEP 1 - REMOVE CONTENTS FROM BOX

PLACE THE BOX LONG-SIDE DOWN. USE SCISSORS TO CAREFULLY CUT TIES. THREE PACKED BUNDLES SHOULD BE IN THE BOX WITH EVERYTHING LISTED IN THE "WHAT COMES IN THE BOX".



STEP 2 - PLACE SPRING BAR ON FRAME

LOCATE THE SPRING BAR IN THE BOX AND THE GEARS ON THE REFORMER FRAME. THEN PLACE THE SPRING BAR IN THE PREFERRED GEAR WITH THE HOOKS FACING AWAY FROM THE FOOTBAR.

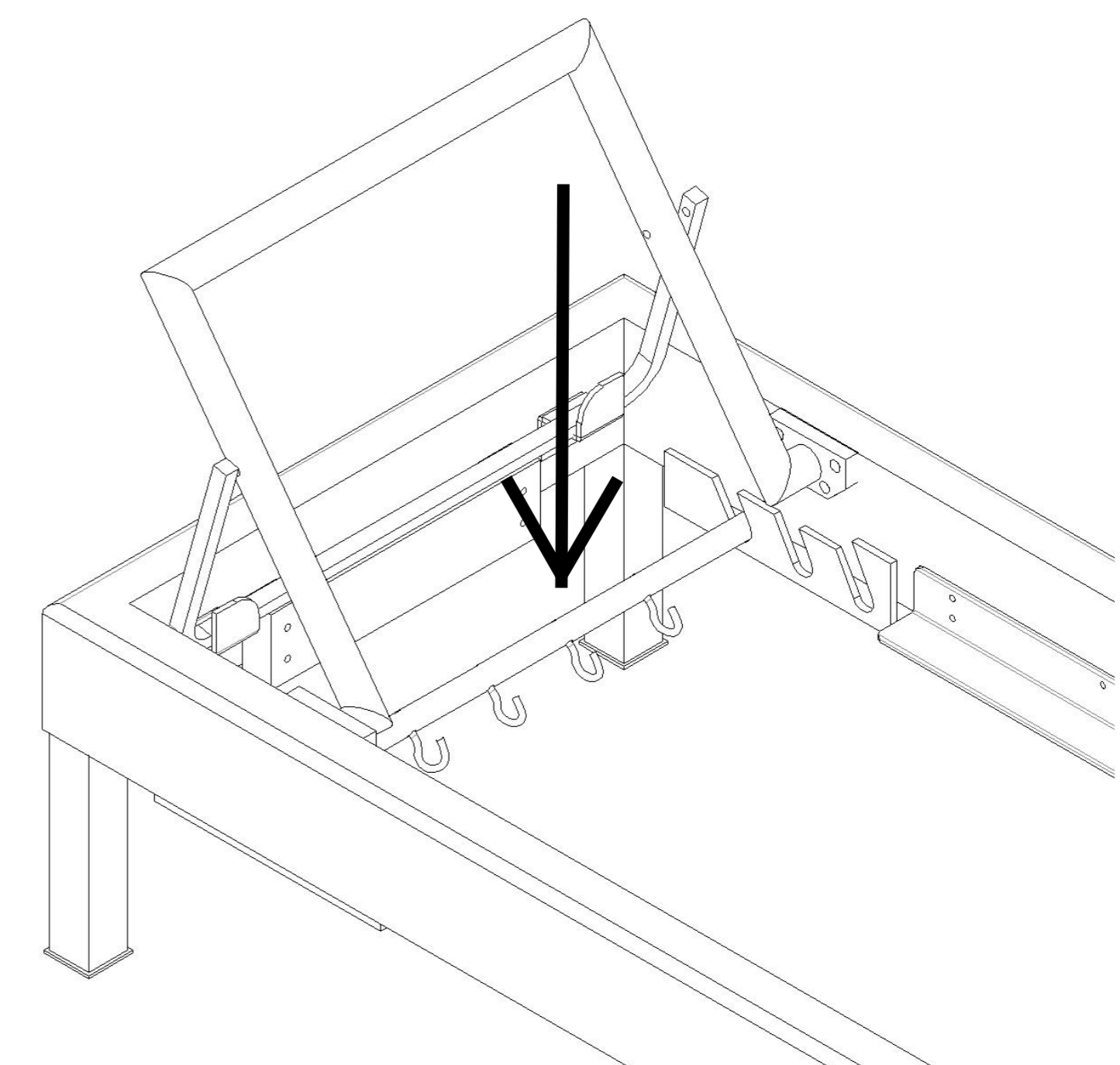
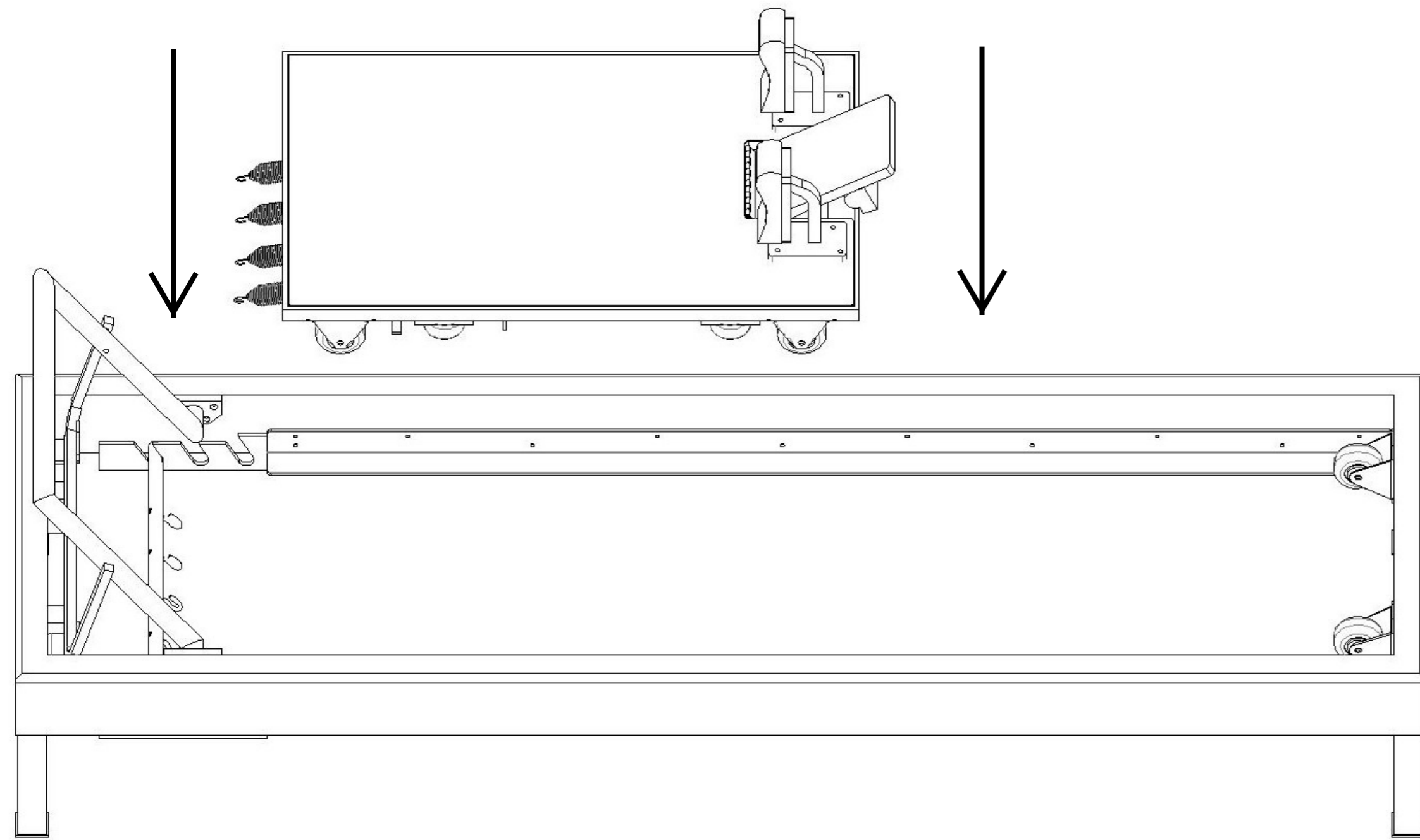


FIGURE A



STEP 3 - PLACE THE CARRIAGE ON THE REFORMER

PLACE THE CARRIAGE ON THE REFORMER RAILS WITH THE CARRIAGE SPRINGS FACING THE SPRING BAR (FIGURE A). THEN HOOK THE CARRIAGE SPRINGS TO THE SPRING BAR (FIGURE B). FEED THE LEATHER STRAPS THROUGH THE BACK WHEELS (FIGURE C). HOOK THE LEATHER HANDLES TO THE STRAP. CLIP ON THE TWO FOOT STRAPS TO THE EYE HOOKS LOCATED UNDER THE FOOTBAR ON THE FRAME.

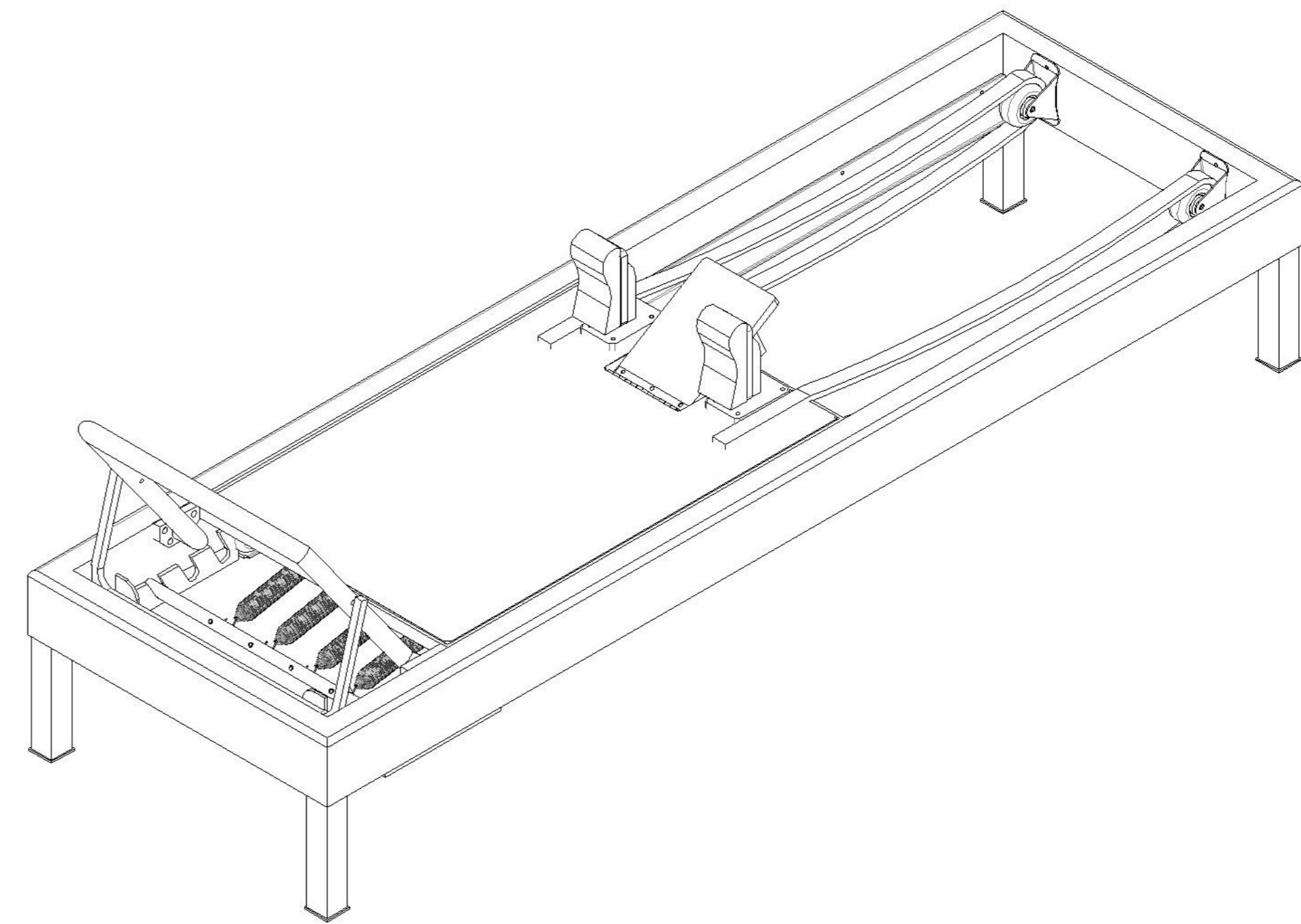
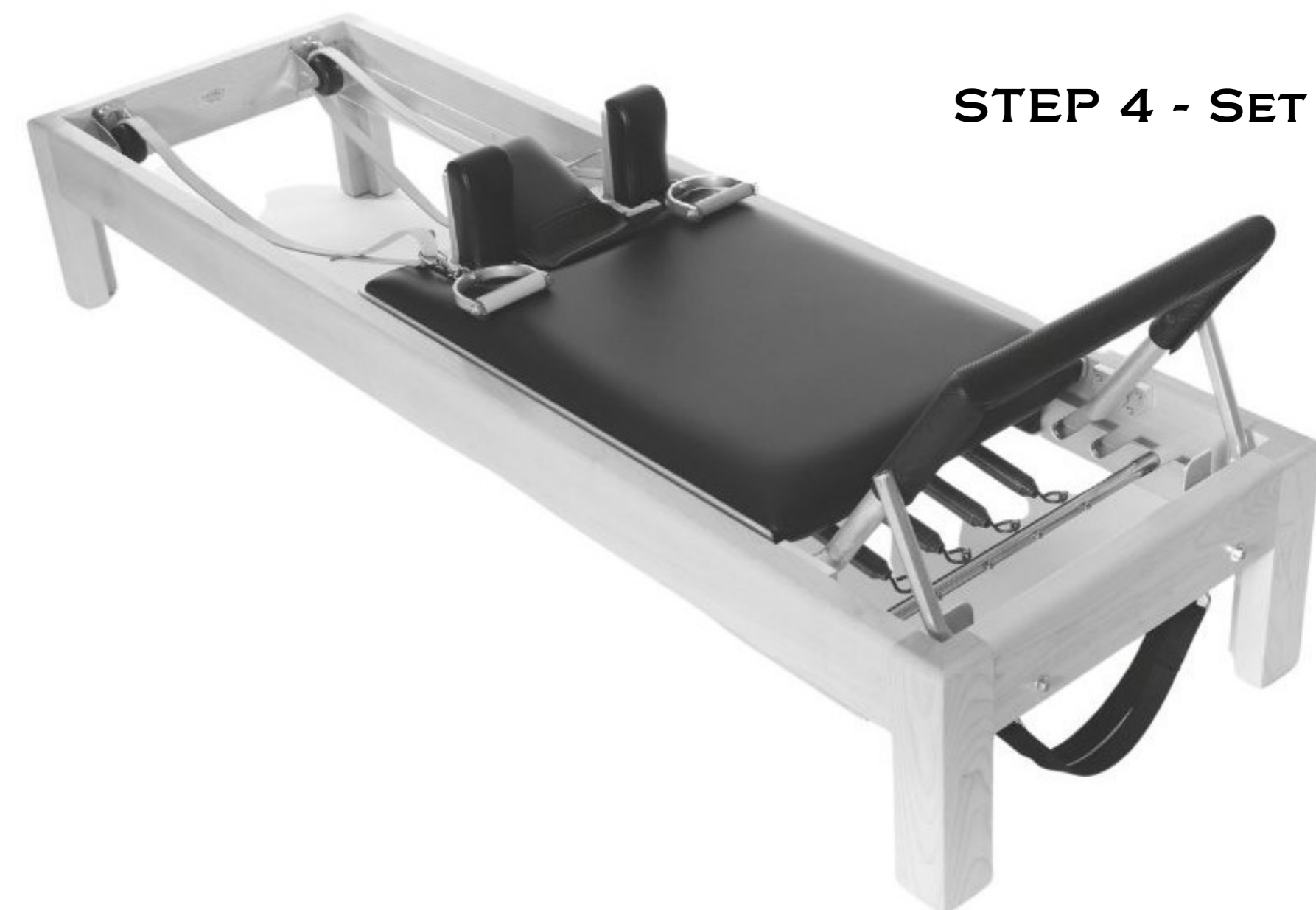
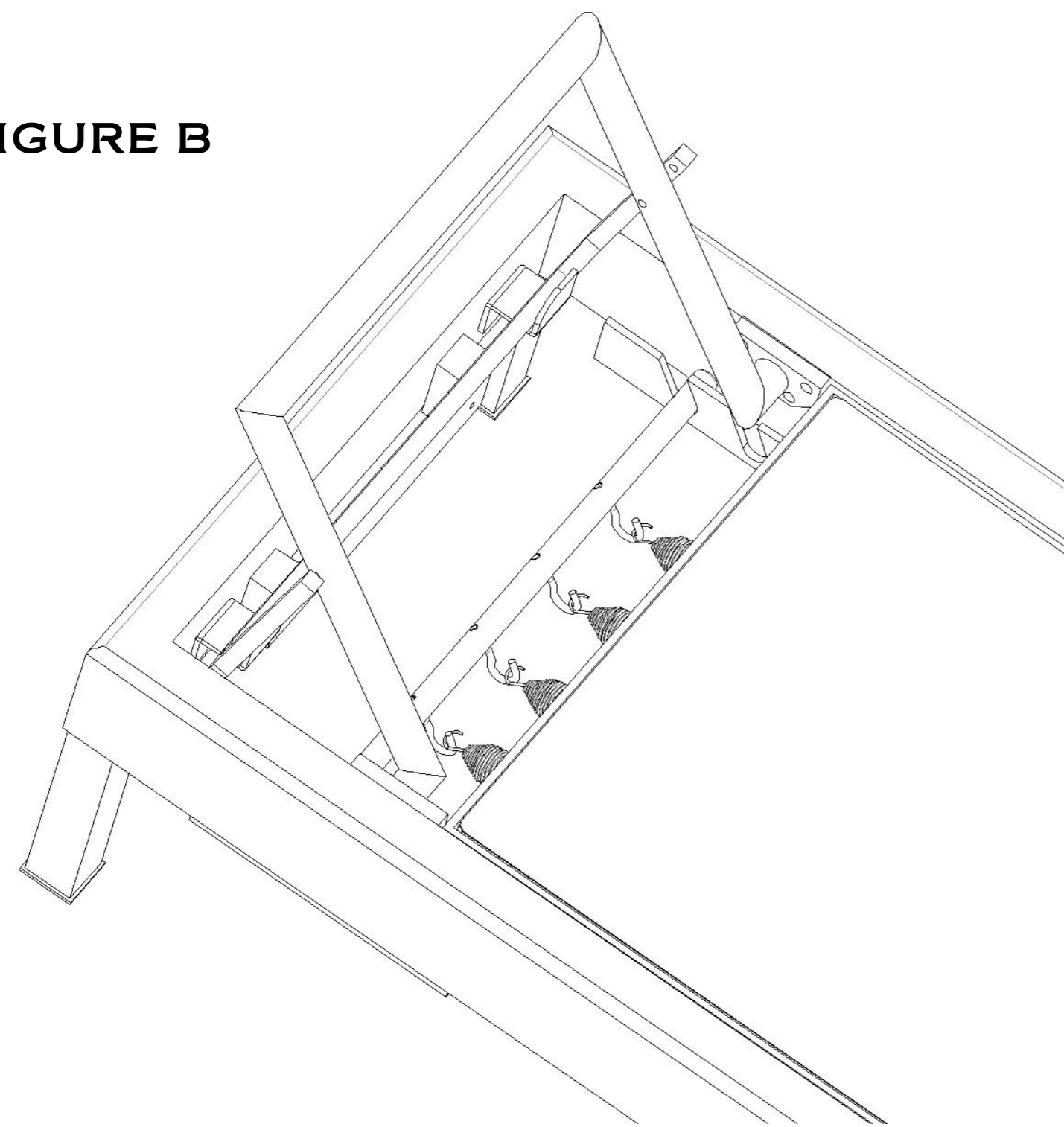


FIGURE B



STEP 4 - SET UP COMPLETE