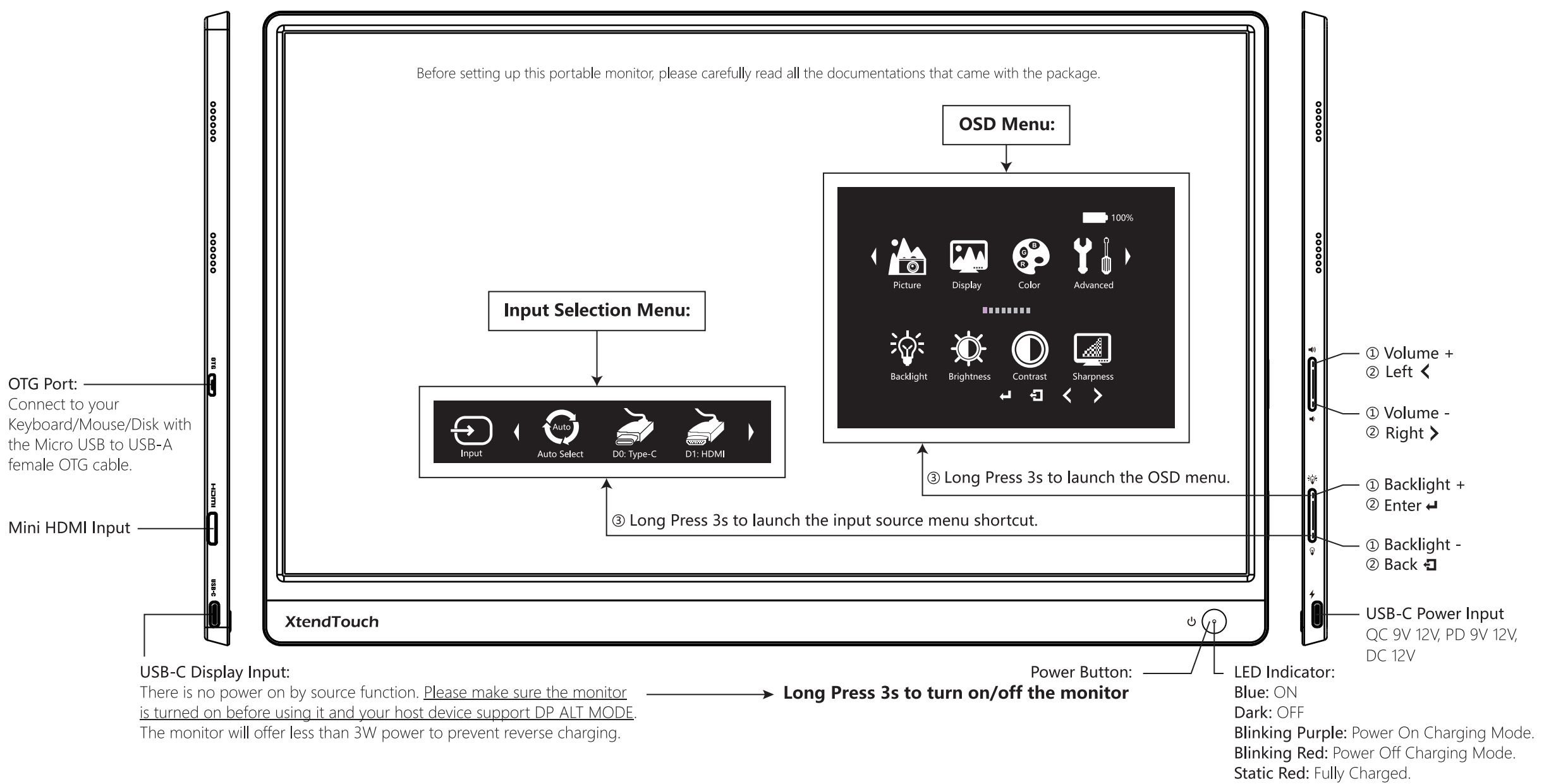
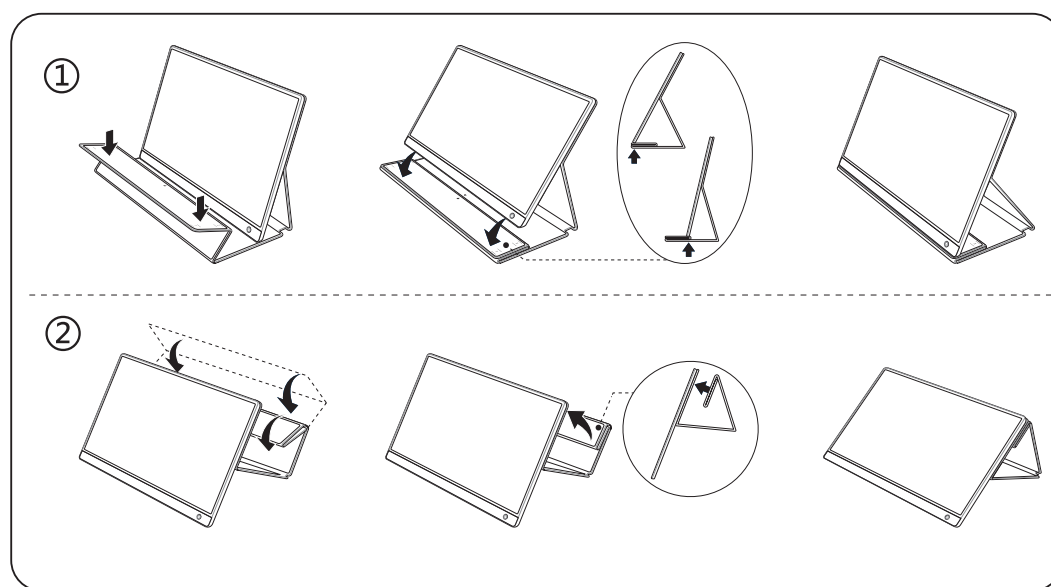


XtendTouch XT1610F Quick Guide



Monitor standing positions

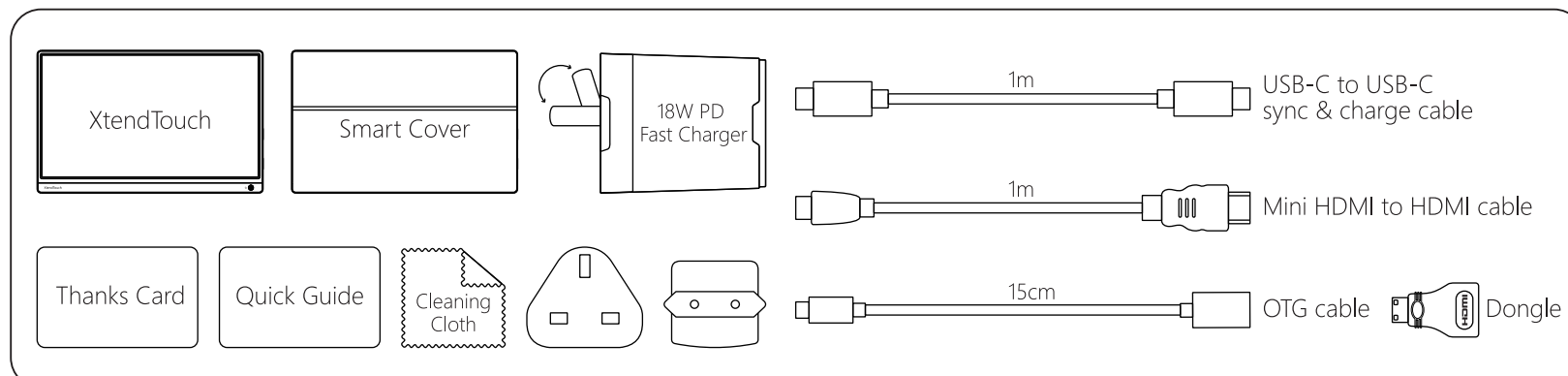
You can stand up the monitor by several positions with the smart cover.



Announcements:

As this product and the attached smart cover includes a magnet in the structure, there could be a potential risk to cause the damage of computer hard disk and objects that are sensitive to the magnet. Please ensure not to stack the product with the computer when the computer is in use (power on or standby mode) otherwise the hard disk could possibly be influenced by the result of permanent data missing or the computer display could be switched off due to computer auto protection mechanism. When placing this product together with a computer in the bag, must have the computer power off to avoid possible hard disk damage problem.

Package Content



Menu Content:

- Picture:
 - Backlight: The adjusting range is from 0 to 100
 - Brightness: The adjusting range is from 0 to 100
 - Contrast: The adjusting range is from 0 to 100
 - Sharpness: The adjusting range is from 0 to 100
 - Display:
 - Rotate screen 0° - Rotate screen 180°
 - Color:
 - PanelUniformity
 - Gamma
 - Temperature
 - ColorEffect
 - HUE
 - SAT
 - Advanced:
 - AspectRatio
 - OverDrive
 - DDC/CI
 - HDR
- Notes:** Please make sure your host device can output the HDR stream and keep XtendTouch HDR in Auto mode. If your host device or video doesn't support HDR, we don't recommend you open the HDR function. That may lead to your picture overexposed.
- Input:
 - AutoSelect
 - USB-C
 - HDMI
 - Audio:
 - Volume
 - Mute
 - Others:
 - Reset
 - Language
 - OSD Rotate
 - Battery
 - Selfish mode:
 - Information:

Specifications:

Model	XT1610F
Panel	15.6 inch IPS-ADS
Device Size	359.7 x 226.4 x 8.8mm
Weight	950g
Resolution	1920 x 1080p@60Hz Max
Luminance	300 cd/m@ (Typ.)
Contrast Ratio	800 : 1 (Typ.) (TM)
Color Gamut	72% NTSC
Digital Input	USB-C(DP ALT MODE), Mini HDMI
Power Capacity *	10800mAh
Power Input	QC 9V 12V, PD 9V 12V, DC 12V
Power Output	5V/0.6A 3W *
Panel Treatment	Antiglare
Screen	Matt
Viewing Angle	85/85/85/85 (Typ.)(CR≥10)
Response	30 (Typ.)(Tr+Td) ms
Touch	Yes, 10-point capacitive touch
Operating Temp	0~50°C
Interface	USB-C x 2, OTG Port x1, Mini HDMI Female x1
Speakers	8Ω 1W x 4
Surface color	Black+Silver
Compatible OS	Microsoft Windows, Linux, Mac OS, Chrome OS, Android.
Certification	RoHS, CE, FCC, CCC

* Note:

- The battery has a lifespan and ages every time when it is charged and discharged. It will gradually lose its charging capability as it ages.
- 5.5 hours@300 nits via DP Alt Mode.

* Note: The main using of power out is not charging but for keeping your host device won't reverse charge for the monitor. And allows you to sustain the working time for longer.

Supported platform:

	Display		Touch		OTG	
	USB-C	HDMI	USB-C	HDMI	Keyboard Mouse	Disk
Microsoft Windows	☺	☺	☺	✗	☺	☺
MacOS	☺	☺	✗	✗	☺	☺
Android *(Dex, EMUI)	☺	☺	☺	✗	☺	☺
Linux (Ubuntu)	☺	☺	☺	✗	☺	☺
Nintendo Switch	☺	☺	✗	✗	✗	✗
Chrome OS	☺	☺	☺	✗	☺	☺
iPad OS	☺	☺	✗	✗	☺	✗

* Note:

Work with devices that support DP ALT MODE. Please kindly make sure your device support DP ALT MODE.

Safety information:

- To prevent fire or shock hazard, never expose this portable monitor to rain or moisture.
- Never try to open this portable monitor cabinet.
- Before using this portable monitor, make sure all cables are correctly connected and the power cables are not damaged. If you detect any damage, contact your dealer immediately.
- Avoid dust, humidity, and temperature extremes. Do not place this portable monitor in any area where it may become wet. Place this portable monitor on a stable surface.
- Never push objects or spill liquid of any kind into the slots on this portable monitor cabinet.
- If you encounter technical problems with this portable monitor, contact a qualified service technician or your retailer.

Care & cleaning:

Cleaning: Turn your monitor off and unplug the cable. Clean the monitor surface with a lint-free, non-abrasive cloth. Stubborn stains may be removed with a cloth dampened with a mild cleaner. Avoid using a cleaner containing alcohol or acetone. Use a cleaner intended for use with the LCD. Never spray cleaner directly on the screen, as it may drip inside the monitor and cause an electric shock.

Where to find more information:

Refer to the following sources for additional information and for product.

1. Pepper Jobs websites

The Pepper Jobs websites worldwide provide updated information on Pepper Jobs hardware and software products. Refer to <http://www.pepper-jobs.com>

2. Optional documentation

Your product package may include optional documentation that may have been added by your dealer. These documents are not part of the standard package.

Warranty:

Pepper Jobs warranty comes from our commitment to the highest standard for protecting our environment. We believe in providing solutions for our customers to be able to responsibly recycle our products. Find out more details, please refer to our website <http://www.pepper-jobs.com>

For FAQs and more information, please visit:

www.pepper-jobs.com



Scan to join our forum Visit our homepage

www.pepper-jobs.com/support

- @Pepper Jobs
- @Pepper Jobs Europe
- @PepperJobs
- @PepperJobs