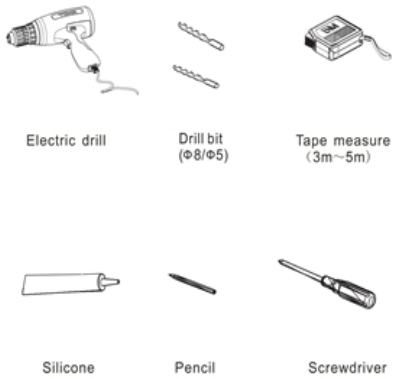
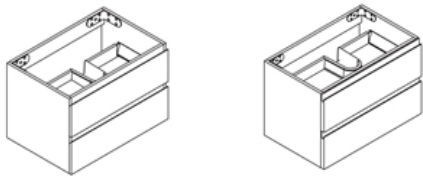
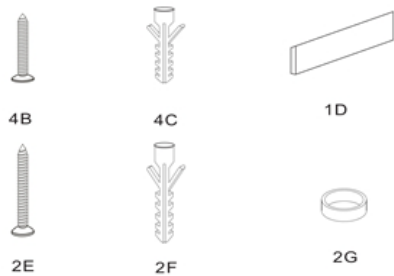


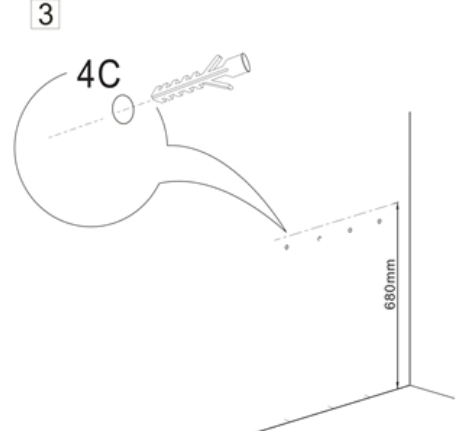
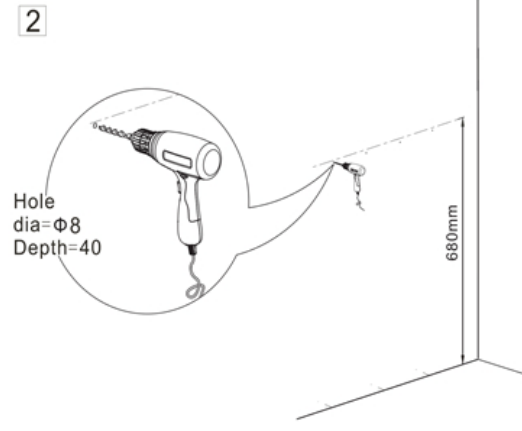
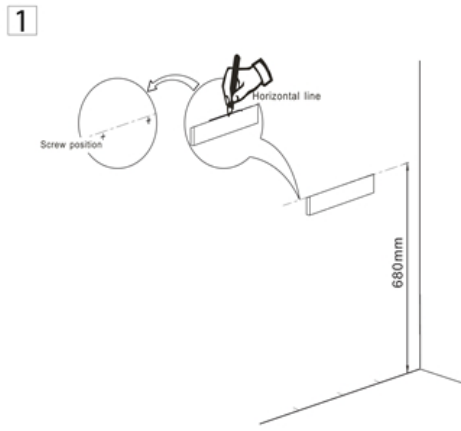
Wall-mounted Vanity Installation Guide



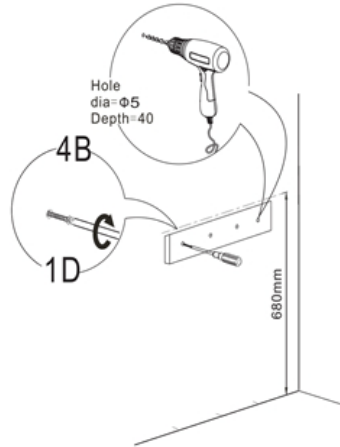
Tools required for installation



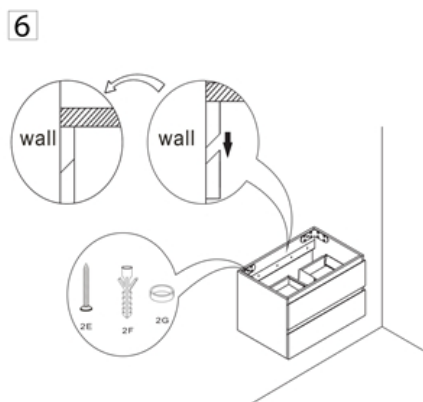
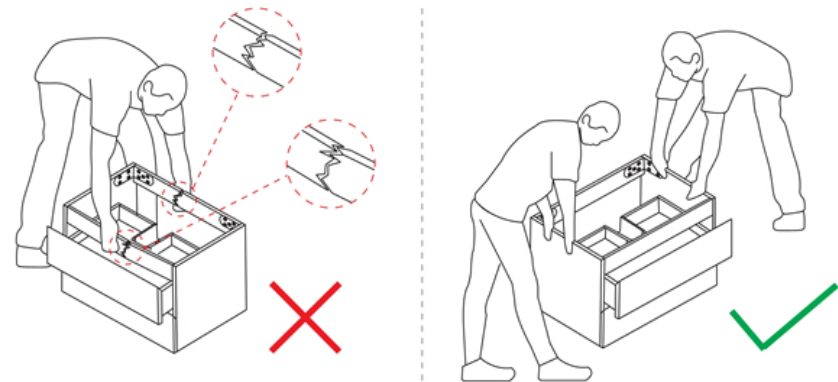
Parts required for installation



4 Please make sure to install screws on the wooden stud of the wall to help stabilize.



5 Please unpack/install the base by holding it on the side of the item, not the front or the back piece.



7 Please fix the cabinet with M6x65 screws which included in the hardware pack, make sure the screw were installed on the wooden stud of the wall.

