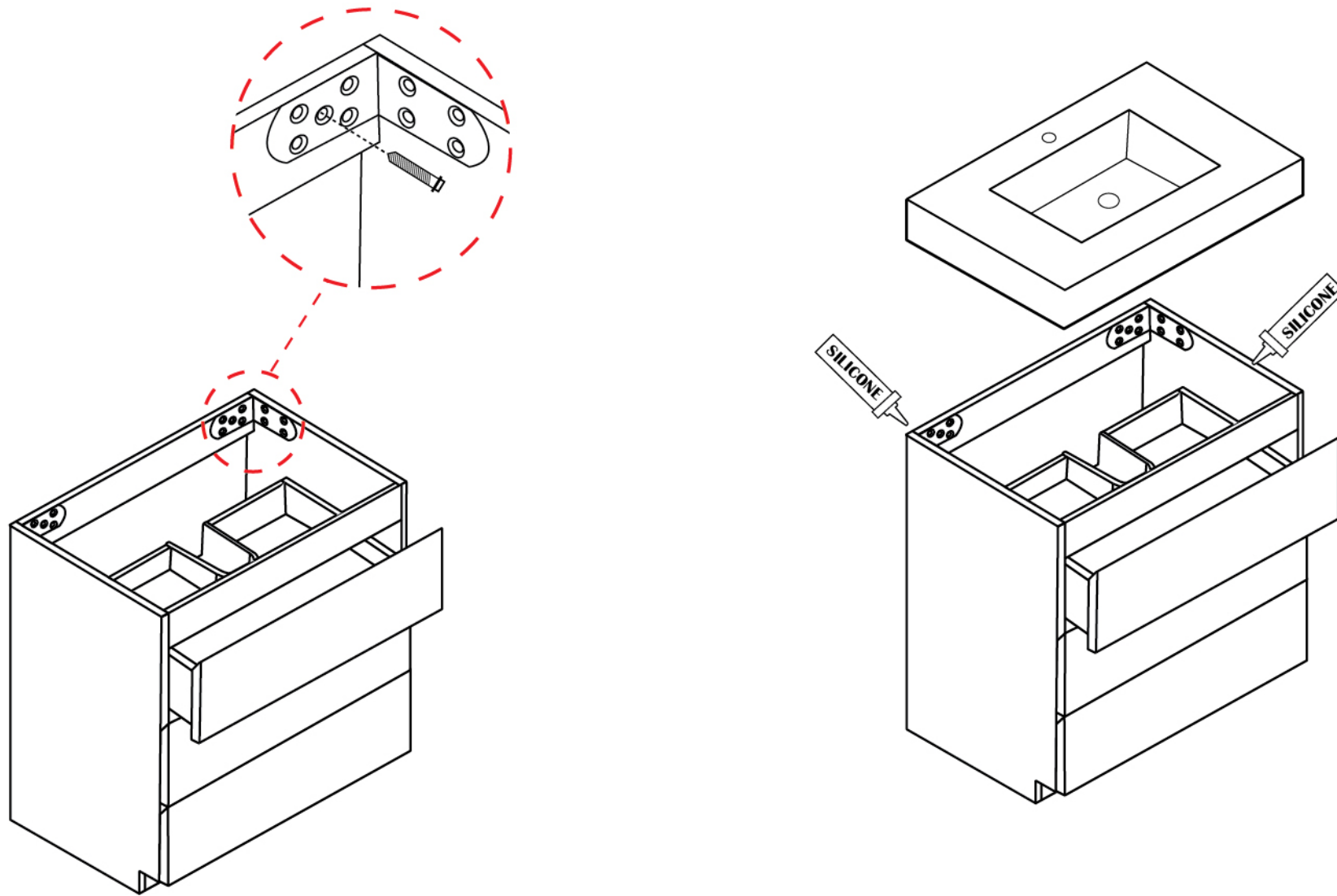


Freestanding Vanity Installation Guide



Please fix the cabinet with M6x65 screws which included in the hardware pack .



Seal the sink onto the base by silicone glue and press firmly into its place. Wipe away any excess silicone sealant with a damp cloth.