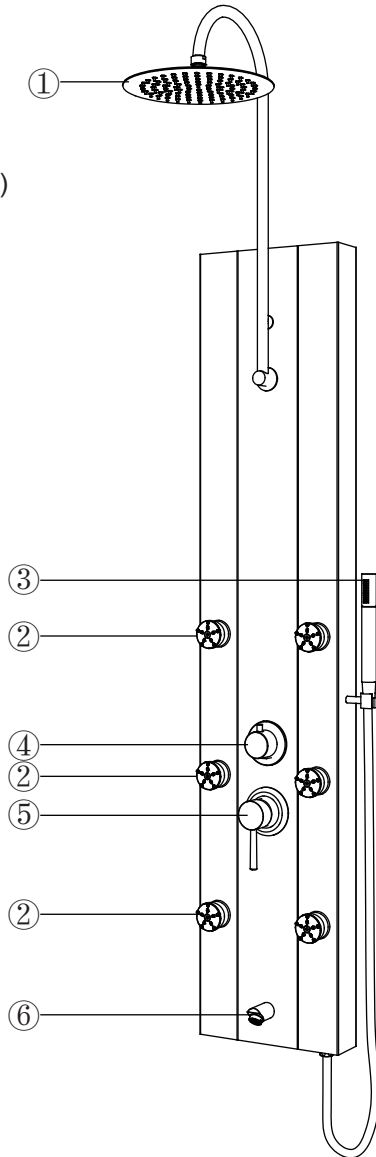


## I . Function

1. Head shower
2. Massage jet
3. Hand shower
4. Diverter: 4-ways
5. Cold/Hot water mixer(balance valve)
6. Spout

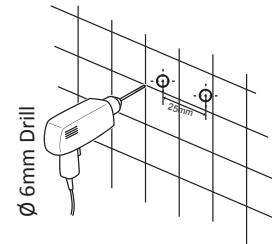
# SHOWER PANEL



## II . Installation

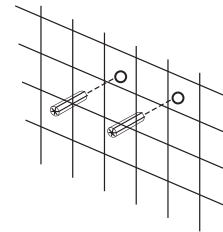
Note! Before drilling any hole for fixing your shower panel esure that there are no hidden cables or pipework within the wall

### I . Drill the holes in the wall



### Wall-mounting

### II . insert the wall plugs inside the holes



### III . Tighten the screws to the wall with wall mounting brackets

