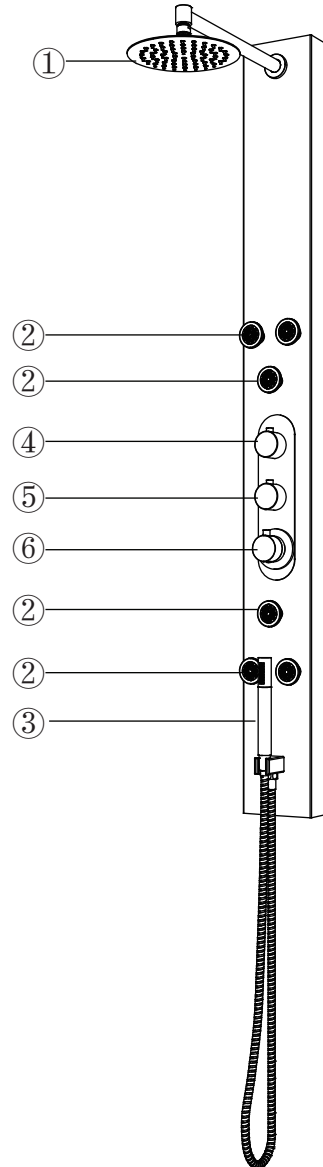


## I . Function

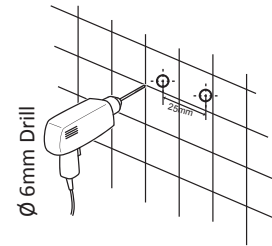
1. Head shower
2. Massage jet
3. Hand shower
4. Diverter: 3-ways
5. Switch: ON/OFF
6. Thermostatic mixer



## II . Installation

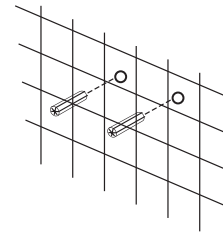
Note! Before drilling any hole for fixing your shower panel ensure that there are no hidden cables or pipework within the wall

### I . Drill the holes in the wall

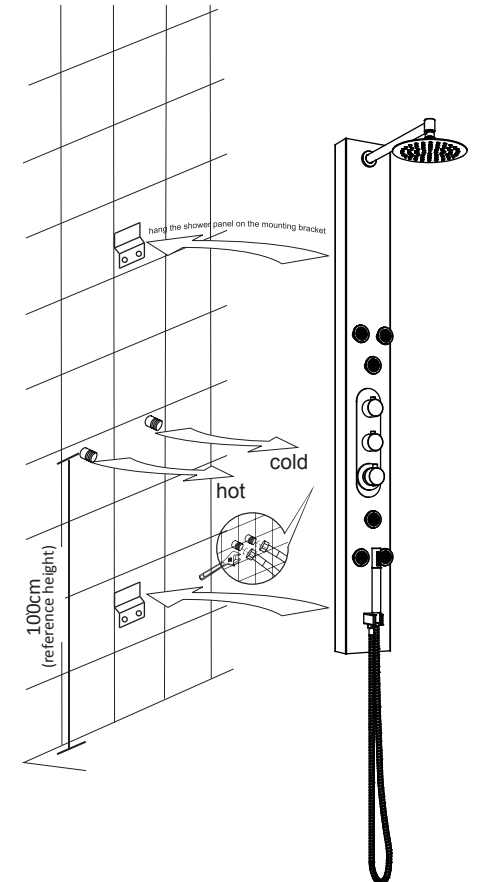
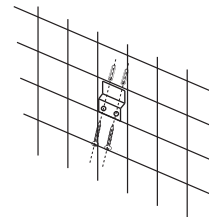


### Wall-mounting

### II . insert the wall plugs inside the holes



### III . Tighten the screws to the wall with wall mounting brackets



SHOWER PANEL