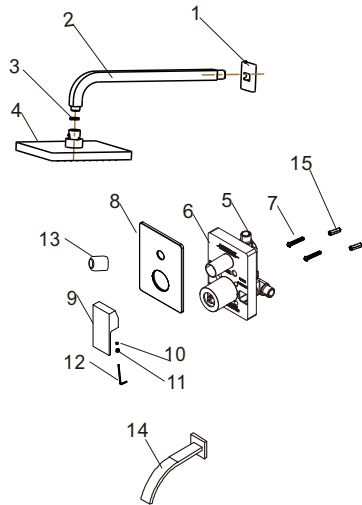


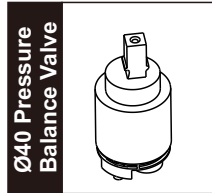
Single Handle Pressure Balance Bath Faucets

Solid Brass Construction
Pressure Balance Valve/Gear Type
Easy Installation

DIAGRAM AND PARTS LIST



- | | |
|----------------------|---------------|
| 1. Trim | 12. Allen key |
| 2. Shower arm | 13. Diverter |
| 3. Gasket | 14. Spout |
| 4. Shower head | 15. Setscrew |
| 5. Valve body | |
| 6. Cover plate | |
| 7. Tapping screw | |
| 8. Panel | |
| 9. Handle | |
| 10. Screw | |
| 11. Red/ blue button | |

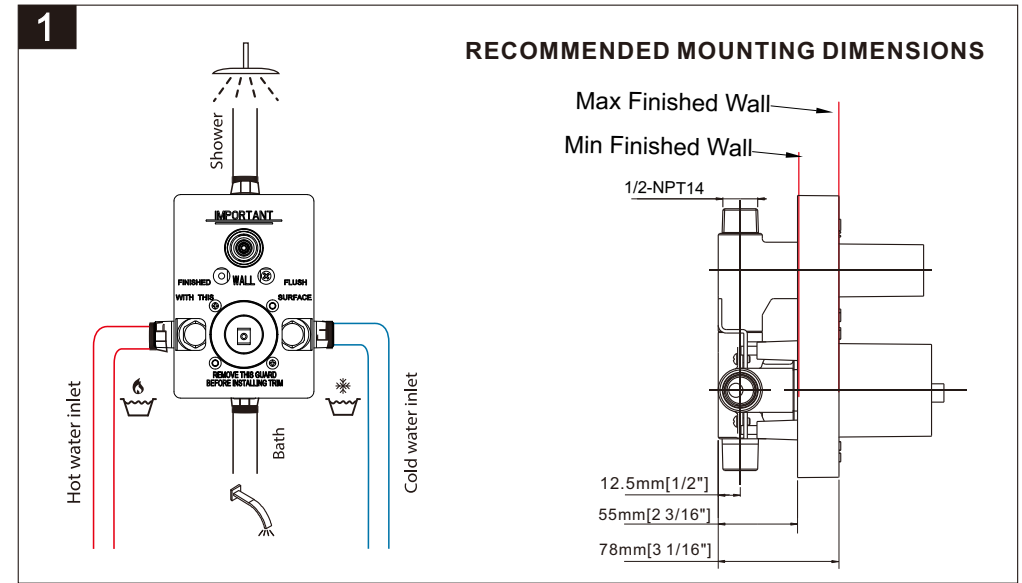


RECOMMENDED TOOLS

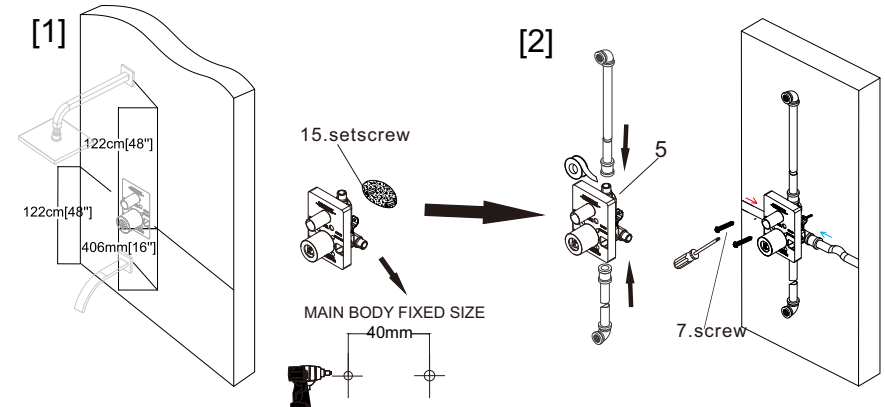


Allen key Philips Screwdriver Electric drill Adjustable wrench Pipe tape Eye protection Flashlight

RECOMMENDED

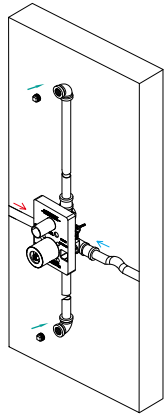


ASSEMBLY INSTRUCTIONS



1. Installation reference size ,main body fixed size(width 40mm) . Knock 2pcs setscrews(15) into holes .
2. Connect the pipes into the valve body(5) ; Put valve body(5) in the hole and fix it by the screw(7) . then connect the water supply hoses .

[3]



3.Plug the water outlets after the valve body is installed.

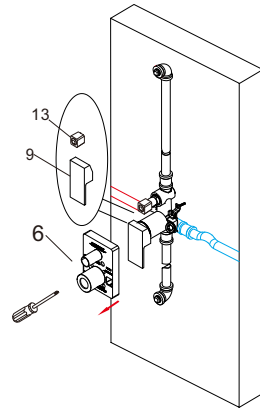
4.Remove the black cover plate(6). Install the handle(9) and diverter(13).Provide water from water inlet.

And then test the water pipes leaking or not as below:

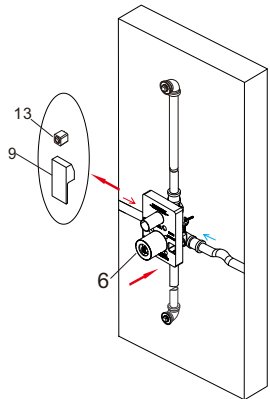
- 1)Test 3 min at normal temperatures and pressures when the ceramic cartridge is closed.
- 2)Test 3 min at normal temperatures and pressures when the ceramic cartridge is open.

Proceed to next step if no leaking after the testing.

[4]



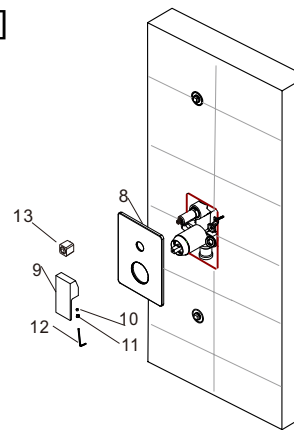
[5]



5.Remove handle(9) and diverter(13), put on cover plate(6) after water test is ok.

6.Backfill the wall in concrete, tile on concrete and then remove the black cover plate(6) when available.

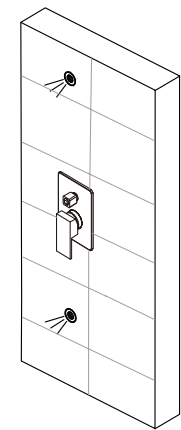
[7]



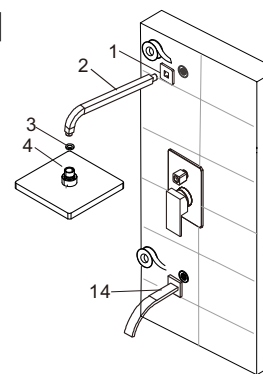
7.Feed the valve body with panel(8) ,handle(9) and diverter(13), then use the allen key(12) and screw(10) to secure handle(9) and diverter(13), put on the red/ blue button(11).

8.Take off hand shower, up and down plugs, turn on the cartridge to wash out the dirt in the water tube.

[8]



[9]



9.Use the tape to install in turn, trim(1),shower arm (2) and spout(14).Then install the shower head(4) with the gasket(3).

10. Testing for leakage after installation. Complete installation.