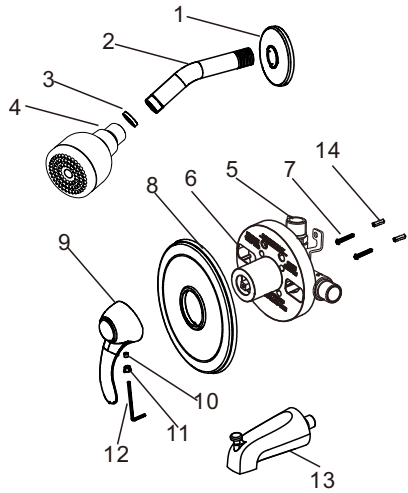


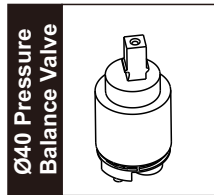
Single Handle Pressure Balance Bath Faucets

Solid Brass Construction
Pressure Balance Valve/Gear Type
Easy Installation

DIAGRAM AND PARTS LIST



1. Trim
2. Shower arm
3. Gasket
4. Shower head
5. Valve body
6. Cover plate
7. Tapping screw
8. Panel
9. Handle
10. Screw
11. Red/ blue button
12. Allen key
13. Tub spout
14. Setscrew

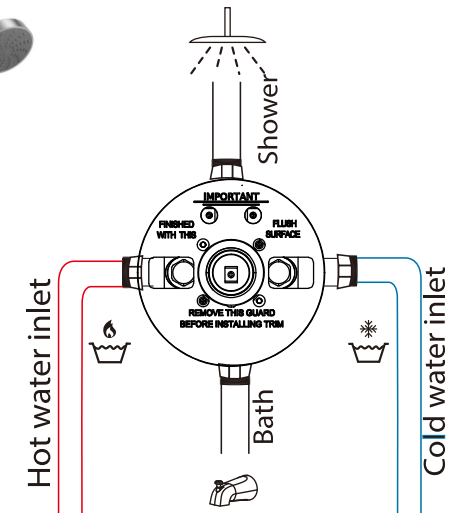


RECOMMENDED TOOLS

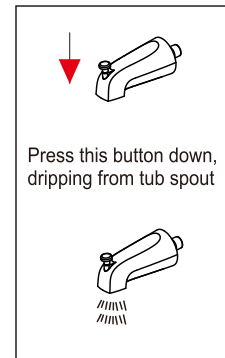


RECOMMENDED

APPLY STYLES

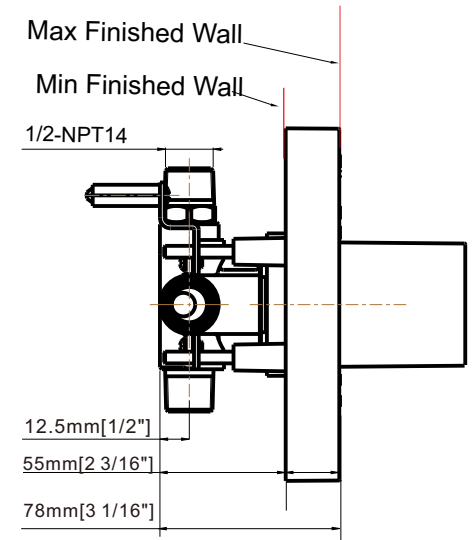


Pull this button upward ,
dripping from shower head

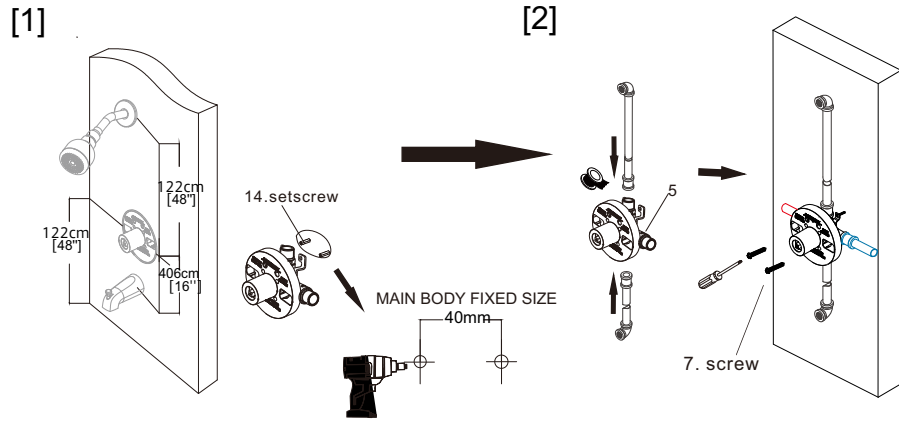


Press this button down,
dripping from tub spout

RECOMMENDED MOUNTING DIMENSIONS

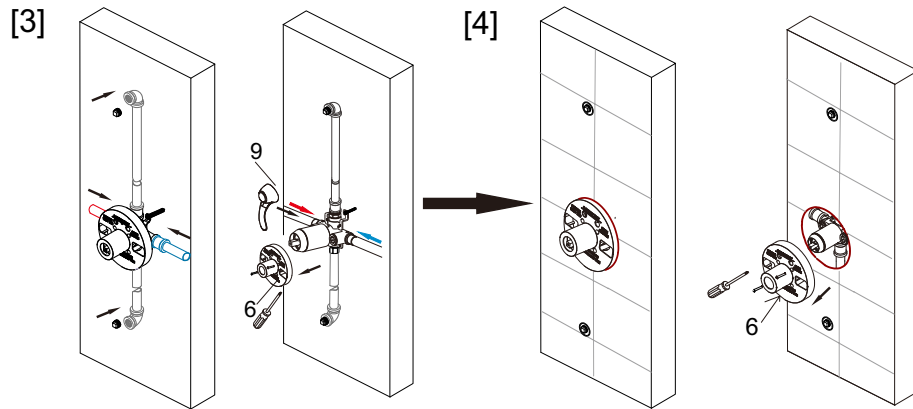


ASSEMBLY INSTRUCTIONS



1. Installation reference size ,main body fixed size(width 40mm) .
Knock 2pcs setscrews(14) into holes .

2. Connect the pipes into the valve body(5) ; Put valve body(5) in the hole and fix it by the screw(7) . then connect the water supply hoses .

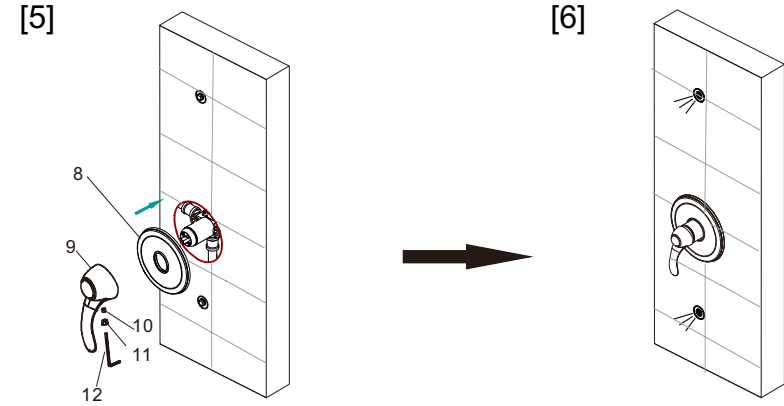


3.Plug the water outlets after the valve body is installed. Then remove the black cover plate(6). Provide water from water inlet.

And then test the water pipes leaking or not as below:

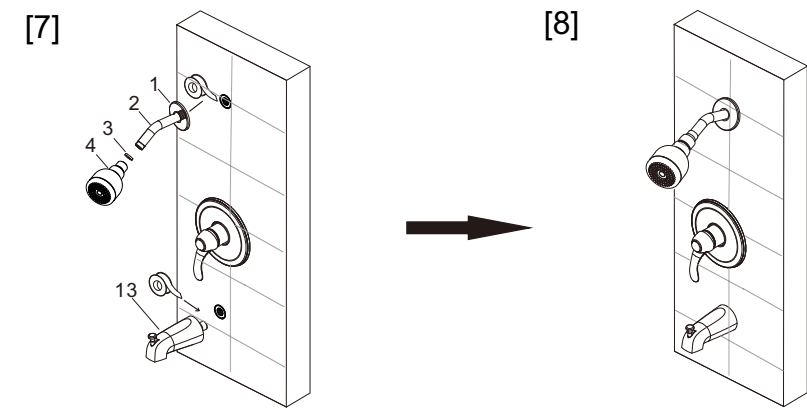
- 1)Test 3 min at normal temperatures and pressures when the ceramic cartridge is closed.
 - 2)Test 3 min at normal temperatures and pressures when the ceramic cartridge is open.
- Proceed to next step if no leaking after the testing.

4.Backfill the wall in concrete, put backthe black cover plate (6),tile on concrete and then remove the black cover plate(6) when available.



5.Feed the valve body with panel(8) and handle(9), then use the allen key and screw(10) to secure handle(9), put on the red/ blue button(11).

6.Take off up and down plug, turn on the cartridge to wash out the dirt in the water tube.



7. Use the tape to install in turn, Trim(1), shower arm(2), Gasket(3), shower head(4), tub spout(13).

Testing for leakage after installation.

8.Complete installation.