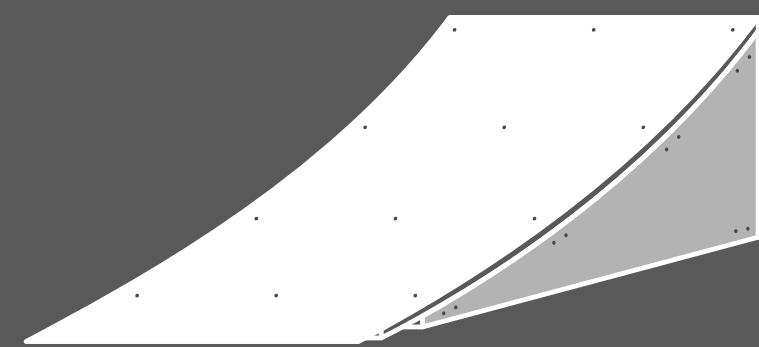
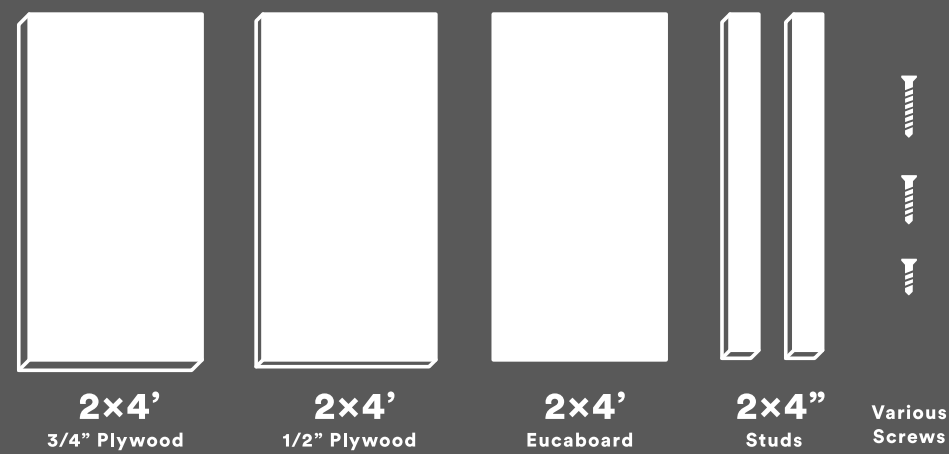


# HOW TO MAKE A KICKER RAMP



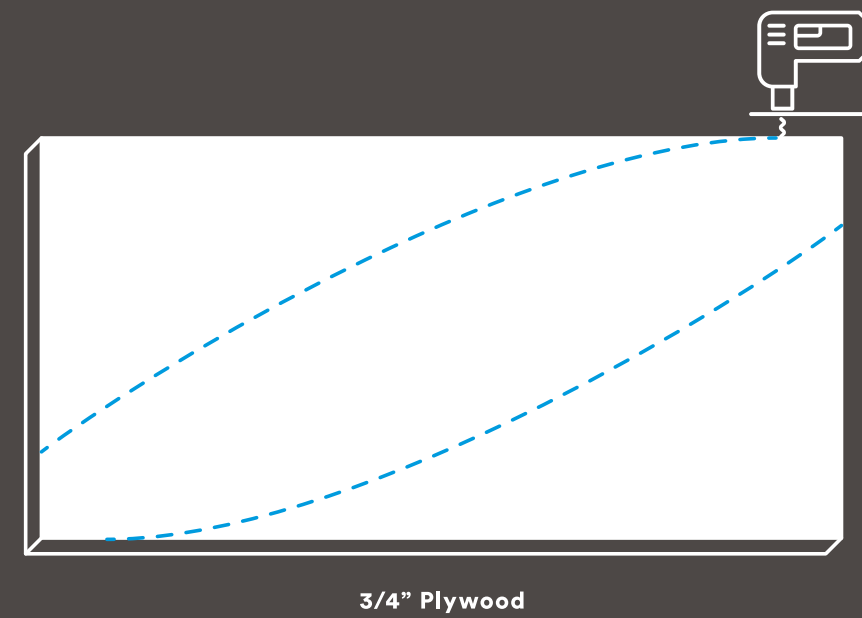
## MATERIALS



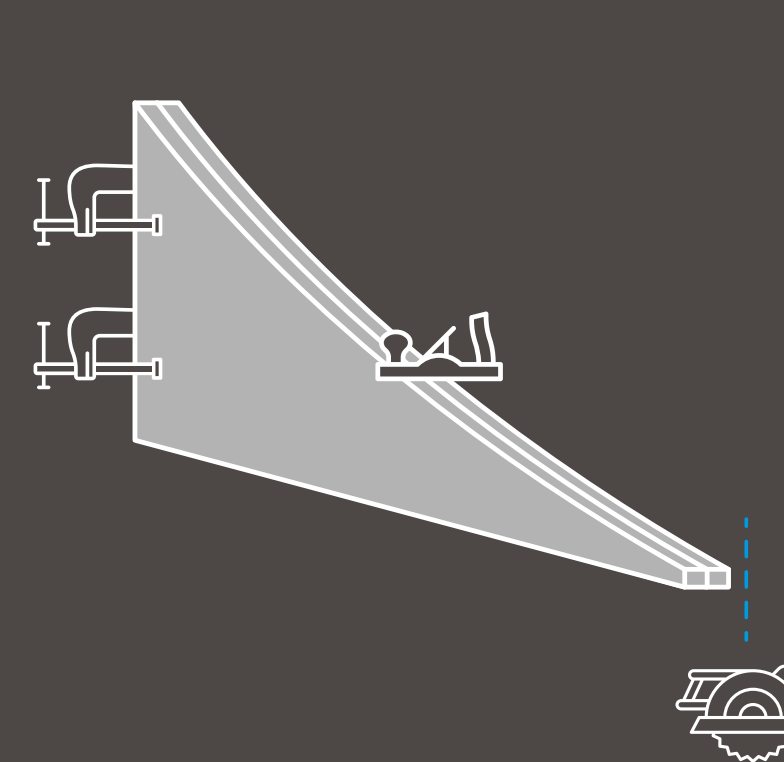
## TOOLS



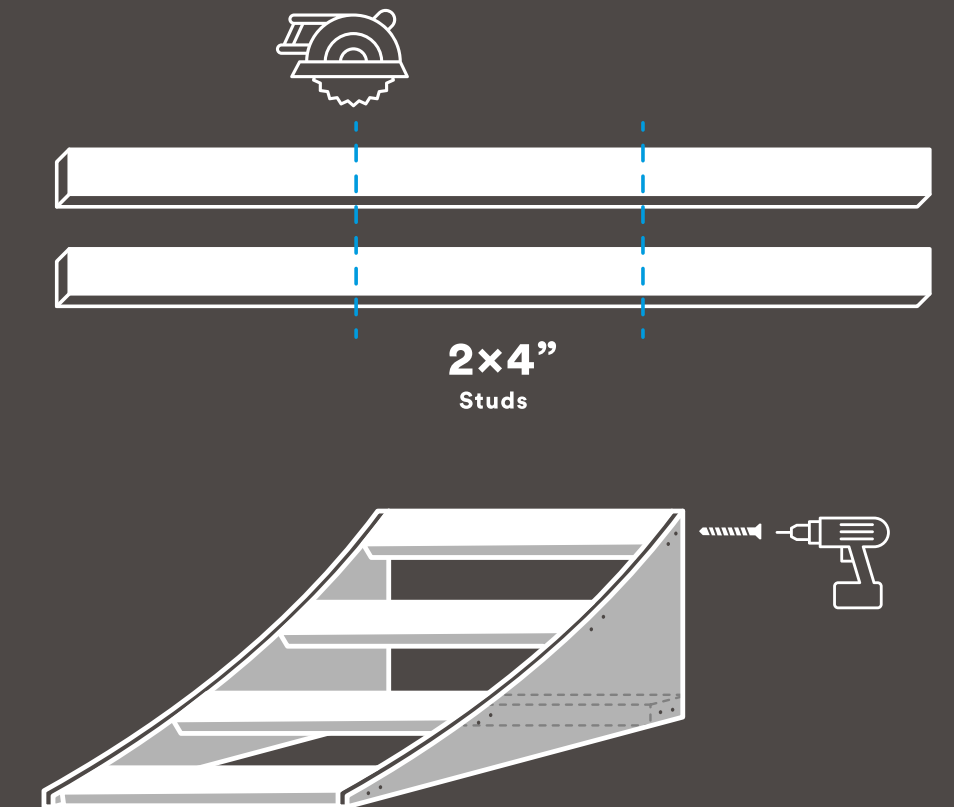
### STEP ONE CUT SIDE PANELS



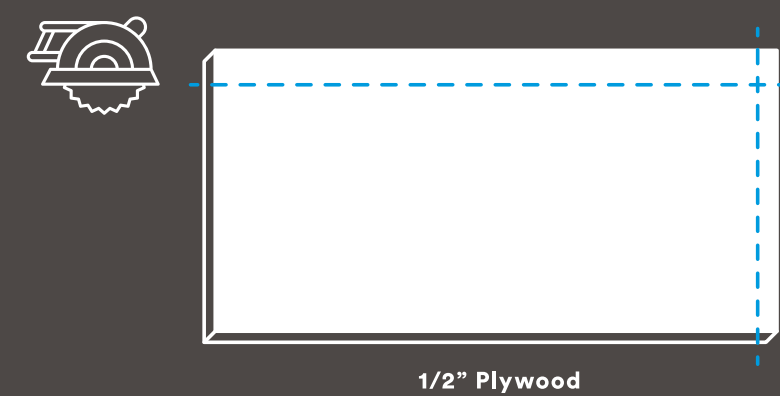
### STEP TWO TRIM & PLANE SIDE PANELS



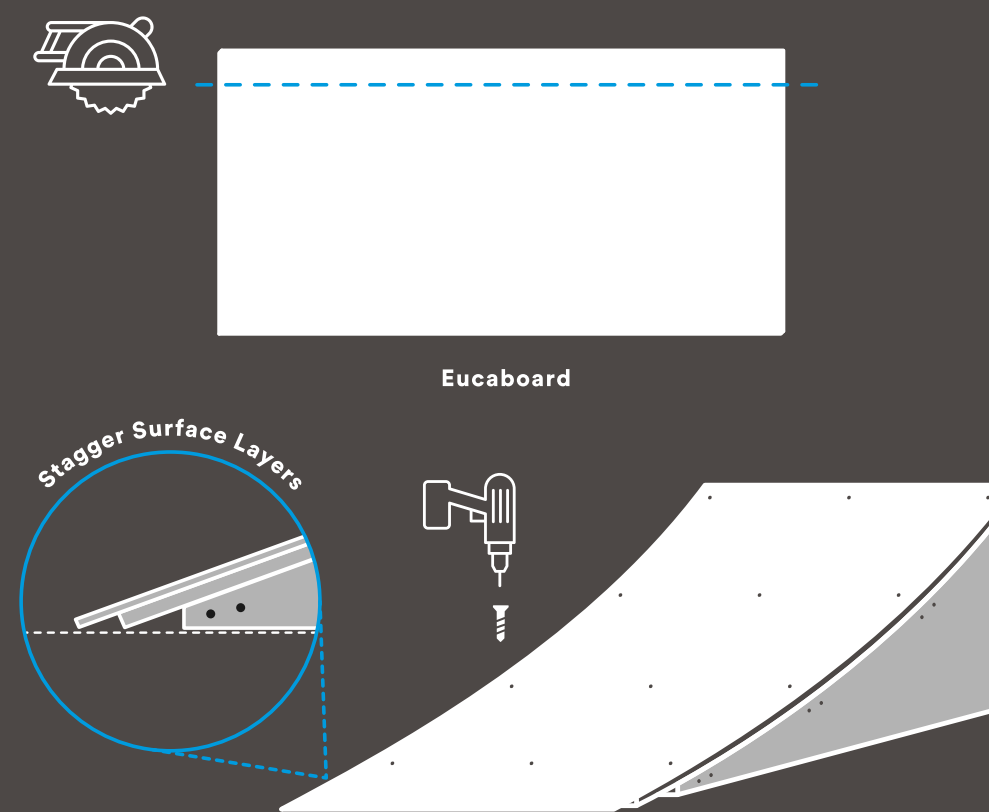
### STEP THREE CUT & ATTACH SUPPORTS



### STEP FOUR CUT & ATTACH TOP PANEL



### STEP FIVE CUT & ATTACH SURFACE LAYER



### STEP SIX

## SEND IT

