



Vixen Co., Ltd. 5-17-3 Higashitokorozawa, Tokorozawa, Saitama 359-0021, Japan
 Phone +81-4-2944-4141(International)
 F a x +81-4-2944-9722(International)
<https://www.vixen.co.jp>

Introduction

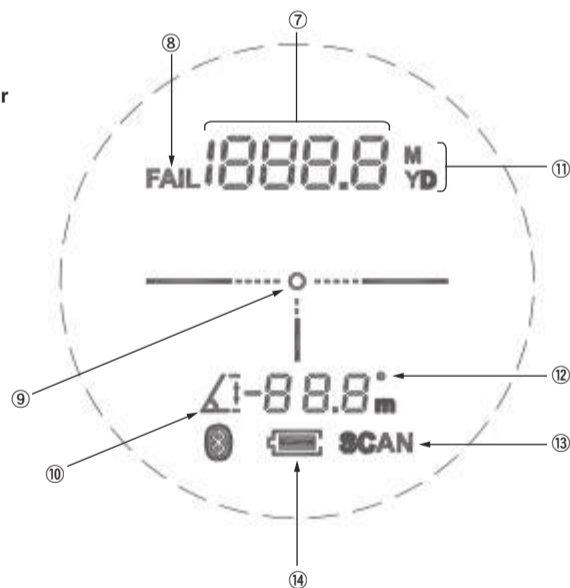
Congratulations on the purchase of your new Vixen FORESTA VX1200 Rangefinder

Caution

- Never look with the at the sun or other intense light sources, through the rangefinder You will risk eye damage or even blindness!
- Do not look into the laser/objective of the rangefinder while it is turned on! You will risk eye damage or even blindness!
- Never use any lens cone or magnifiers on the lens, this will increase the danger of the laser! You will risk eye damage or even blindness!
- Keep out of children's reach!
- Never let children use the rangefinder unsupervised! You will risk eye damage or even blindness!
- If the rangefinder makes strange noises after dropping it, remove the battery immediately and stop using it!
- Keep the rangefinder out of direct sun light, away from heat and UV sources (heater, storing in car, ...), this all might damage the rangefinder!
- Don't use the rangefinder when the lenses are covered with fog. Wait for the fog to evaporate.
- Remove the battery, if you are not using the Rangefinder for a longer time. Battery leakage might damage the rangefinder.

Display-Appearance

- ⑦ Distance
- ⑧ FAIL = Measurement failure
- ⑨ Reticle with measurement center
- ⑩ Angle and height symbols
- ⑪ Units: M = Meter // YD = Yards
- ⑫ Angle (°) // Height (m)
- ⑬ Scanning Mode
- ⑭ Battery state



Set measurement units

1. Start rangefinder by pushing the measure-button
2. Hold down Mode-button. (M = Meter, YD = Yards)

Measure

1. Start rangefinder by pushing the measure-button
2. Target Object
3. Push Measure-Button
4. Display shows range

Change Modes

Push the Mode-Button to change between the following measure modes:

1. SCAN displayed: Range and angle will be updated as long as you push the Measure-Button. Keeps showing the last values after releasing the Measure-Button.
2. Angle- and °-Symbol displayed: Pushing the Measure-Button takes a single measurement of range and angle.
3. Height- and m-Symbol displayed: Measures range and height of an object. First aim at the bottom of your object and push the Measure-Button, then aim on the high part of the object and push the Measure-Button. Range and height are displayed.

Measuring distance

The Vixen FORESTA VX1200 Rangefinder can measure distances between 1m and 1200m (+/- 1m). The maximum measuring distance may vary due to the objects size, surface character and environmental conditions. Reflective surfaces are easier to measure than matt ones. Rain, snow, fog or intense sun shine, can also reduce the maximum range.

Rangefinder-Appearance

- ① Mode-Button
- ② Measure-Button
- ③ Objective
- ④ Laser-Detector
- ⑤ Eyepiece/Diopter adjustment
- ⑥ Battery compartment/lid



Specifications

Technical data	Vixen FORESTA VX1200 Rangefinder
Measurement range	: 1m-1200m
Accuracy	: ±1m
Laser-wavelength	: 905nm (Laser Class 1)
Magnification	: 6x
Eyepiece lens Ø	: 16mm
Objective lens Ø	: 26mm
Field of view	: 5°
Battery	: CR2 Lithium (3V) lasts about 1000 measurements
Water resistance / IP-code	: IP54
Operation temperature	: -10°C to +50°C
Dimensions	: 115 x 75 x 35mm
Weight	: 210g
Included	: Soft case, Strap, Lens cloth

