



LN-G2-M44 / LN-G2-M50

GEN-2 HD DIGITAL TECHNOLOGY

DAY & NIGHT MONOCULAR

INSTRUCTION MANUAL

**IMPORTANT: Please read this manual in its entirety
prior to using this device!**

DIGITAL NIGHT VISION:

1. Your night vision viewer operates with batteries. Unlike a daylight binocular, where you see the image due to light traveling through the glass and the prisms, the digital night vision device works by projecting the image onto an LCD screen. While the CMOS sensor and the LCD display are the crucial components of your viewer, the optical parts of the unit are also very important, as they gather the light into the CMOS sensor and then bring the projected image from LCD screen to your eye. Since the image is projected on the screen, just like any TV, it has certain limited resolution, so your digital night viewer cannot provide the same crystal clear image, as you see through your daylight binoculars.

2. **Another important point** – your digital night vision viewer has full color image during the day and option of color / night vision green / black & white images when operating IR illuminator – why? Because full color image sometimes washes out the details in the dark and will not be as effective as monochrome image during nighttime conditions. The night vision green color was chosen because green color shows more details than any other color in the palette and black & white image is especially useful when reading text or building signs or car plates.

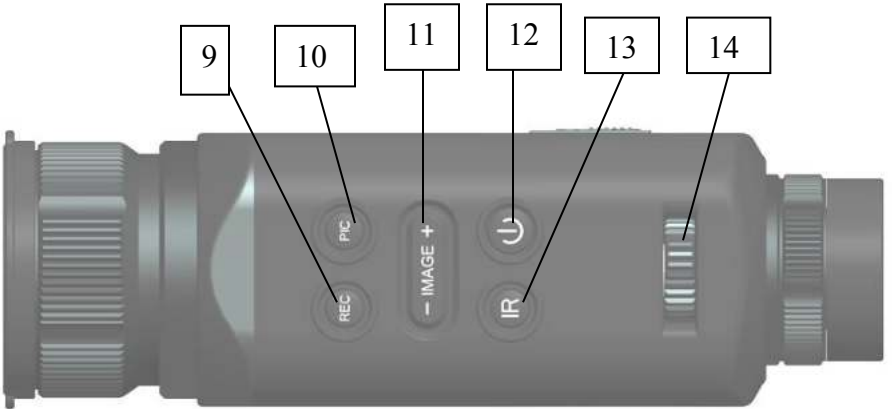
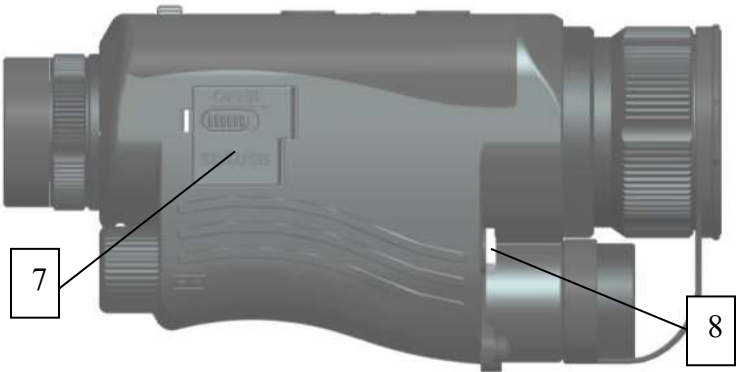
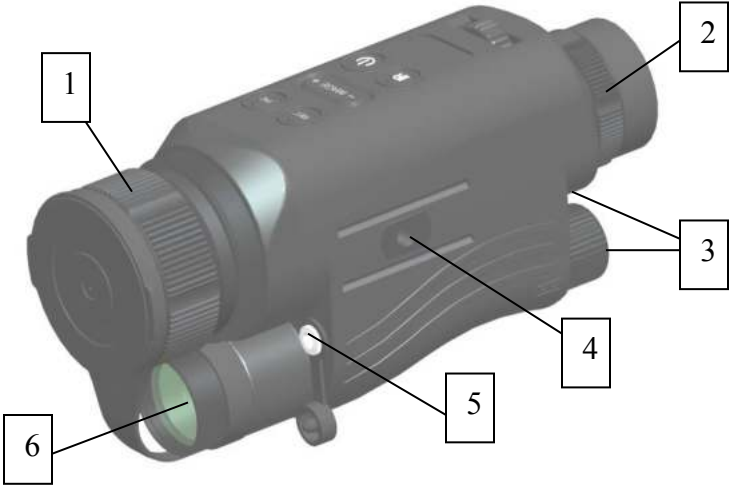
3. Your digital viewer is intended for operation during daylight and nighttime hours. Please note that during daylight you will have to reduce the brightness level of the unit to prevent the image from becoming totally washed out. You should also utilize Color Enhancing Filter, supplied with the unit for daylight operation in order to view more vibrant colors.

4. For more details on how to operate your viewer, please read this manual completely to ensure proper operation.

YOUR PACKAGE INCLUDES THE FOLLOWING:

1. LN-G2-M44 or LN-G2-M50 Digital Monocular
2. 8GB Micro SD-card (installed into the SD-card slot)
3. Color Enhancing Filter (Daylight use only for vivid colors)
4. Carry case with shoulder strap
5. DC adapter with US plug (EU plug adapter included for International customers) (110V/240V compatible)
6. Video Cable, USB Cable, USB flash drive adapter
7. RCR123 Battery charger (LN-G2-M50 only)
8. 2xCR123A batteries (optional – NON-RECHARGEABLE!)

Please identify and remember all the parts of the monocular (LN-G2-M44 shown).



GLOSSARY:

1 – Objective Lens Focusing Wheel
2 – Ocular Focusing Wheel
3 – Battery Compartments
4 – Accessory / Tripod Mount
5 – Video Output
6 – Infrared Illuminator
7 – SD-Card / USB Compartment
8 – DC Output

9 – Video Recorder Button
10 – Still Image Button
11 – Image / Zoom Button
12 – Power ON/OFF Button
13 – Infrared / Menu Button
14 – Brightness Toggle Wheel
15 – SD-Card Slot
16 – USB Output

INSTALLING THE BATTERIES:

Your night vision unit operates on two 3V Lithium type batteries, known as CR123A type commonly available in Electronics/Camera/Convenience stores.

NOTE: it is possible to use rechargeable batteries, but please make sure each battery peak voltage is equal or less than 4.2V. You can charge the rechargeable batteries via any common RCR123 battery charger.

WARNING: batteries supplied with the unit are not rechargeable – do not charge or recharge these batteries!

WARNING: it is prohibited to charge any batteries inside the unit or have batteries inside the monocular while operating it from wall outlet or car adapter!

To install the batteries, unscrew the battery compartment covers (3), located on the back of the unit (one on each side below the ocular (2) and install one battery into each compartment inserting the positive (+) end first. Once the batteries are inside, replace the covers by rotating them all the way to the end (do not over-tighten!).

TURNING THE UNIT ON AND OFF:

Your night vision unit has one-touch push-buttons. To turn the unit ON, first remove the objective lens cover and press the power button (12) once and immediately release it. The green light indicator located on the back of the unit should light up. Look through the ocular – you should see the Welcome screen for a few seconds, followed by image. Even if the image is not yet sharp, the unit is operating. To turn the unit OFF, press and hold the power button for 2 seconds. The image will disappear if you turn the unit off correctly. Always

replace the objective lens cover after the unit is turned off and no longer is in use to protect the lens.

IMPORTANT: When turning the unit ON it is normal to see some image flickering, as the components warm up to display the image. This is normal and does not affect the unit. If the flickering continues after 5-10seconds, please try to decrease the brightness of the image by gently pushing the Brightness Wheel (14) to the left.

OPERATING FROM EXTERNAL POWER SOURCE:

DC ADAPTER: Your digital viewer can also operate from a common wall outlet with the use of the plug adapter (included). Insert the adapter cord into the DC Output (8) and connect adapter to the wall outlet. **IMPORTANT: Always remove the batteries prior to operating the unit from wall/car outlet!**

5V/2A POWER BANK: Your digital viewer can also operate from a common charging 5V Power Bank. Please make sure each output on the Power Bank is rated at a minimum of 2A. Connect the Power Bank to Micro-USB input (16).

SETTING UP DATE AND TIME:

As your viewer has capability to take images and record video, time and date is automatically stamped onto each image and video recording. To set the correct date and time, please follow this procedure:

Turn the unit ON. After image appears, press IR Button (13) and hold it for 2 seconds to activate the menu. Scroll until Date/Time function with Image button (11) and select it by momentarily pressing IR button (13). Default date format is DD/MM/YYYY. To adjust the numbers, press Image Button (11) either in + or – direction. To switch between date/month/year, press IR button momentarily. After Date is set, adjust the time. Time is in 24hr format, so 13:00 is 1pm; 17:30 is 5:30pm and so on. As with the date, changing hours and minutes is done with Image button (11) either + or – and moving between hours and minutes is done via IR button (13). Once the time is adjusted you may choose to change the date format to MM/DD/YYYY or YYYY/MM/DD according to your preference. Once you are finished setting date and time, you must confirm your setting by pressing REC button (9).

IMPORTANT: in order to preserve the set date/time do not remove the dead batteries from the unit until you are ready to replace them with the new set, then replace the old batteries with new set as quickly as possible and the date/time will be preserved.

FOCUSING THE UNIT:

To obtain the sharp image, you must first rotate the objective lens (1) in either direction, until you notice in which position the image is at its best. After that, rotate the ocular (2) also until the image is at its best. You may have to repeat the process again, until the image is sharp and clear. Once the clear image is obtained, you no longer need to adjust the ocular, just rotate the front objective lens to adjust the distance to the object you are viewing.

BRIGHTNESS ADJUSTMENT:

Your digital viewer is equipped with dual brightness control. An automatic brightness control sensor adjusts the image brightness according to the available ambient light. In addition a toggle brightness adjustment wheel (14) allows you to fine-tune the image brightness depending on the ambient light conditions. Please note that during daylight you will need to tone the brightness down to avoid image flickering and to preserve the battery life. During nighttime you could increase the brightness all the way up, however when utilizing built-in or external IR illuminator, you may need to tone the brightness down a bit. Each rotation of the wheel in either direction will decrease or increase brightness by one level.

ELECTRONIC IMAGE MAGNIFICATION ZOOM:

Your unit is also equipped with electronic zoom function, which allows you to change image magnification from 5x to 25x on model LN-G2-M44 or 6x to 30x on model LN-G2-M50. To increase the image magnification press the IMAGE button (11) on the + side and look into the ocular – you will see the image magnification increase. At the minimum level (1.00) the image magnification is 5x (6x for model LN-G2-M50); at the maximum level (5.00) the image magnification is 25x (30x for model LN-G2-M50). You can see the zoom level either in the left or right lower corner of the image screen (depending on the software version) once you start pressing the IMAGE button on the + side. To decrease the image magnification, press the IMAGE button on the – side.

USING INFRARED ILLUMINATOR / IMAGE COLOR OPTIONS:

Your digital viewer is equipped with a built-in powerful Infrared illuminator light (10). This light operates in a spectrum, which is normally invisible to a human eye, however with the help of the CCD sensor, located inside the unit, you will see a beam of light when looking through the ocular lens. Since the CCD does not actively amplify the available light, you will need to utilize the IR illuminator often in the nighttime conditions.

To turn the Infrared illuminator ON, press the Infrared illuminator button (13) momentarily – the illuminator will turn on and red LED light indicator located

next to the eyepiece will light on, indicating the IR illuminator is operating. The image will remain full color. To switch image to night vision green – press IR button again. To switch image to B&W press the IR button again. To turn the IR illuminator OFF press the same IR button again once. The red light indicator will disappear when the IR illuminator is properly turned off.

It is also possible to utilize different color image options without the use of IR illuminator by selecting either Black & White or Sephia (NV green) option in the main menu. Selection is done with the long IMAGE button (11) and confirmation is done by short-pressing the IR button (13). Please note – after selecting either B&W or Sephia option this way, once you activate the IR illuminator, this option will be disconnected automatically.

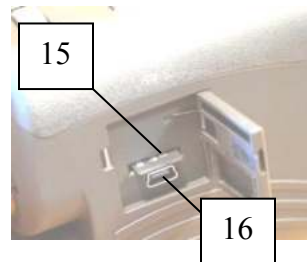
When using the infrared illuminator it is important to remove the red daylight color enhancing filter and also remember that like a flashlight, the IR illuminator is brightest when used in short distances. As the distance increases, the intensity of the infrared light fades away.

Extended range IR illuminators are available (model LN-EIR-2, or LN-ELIR-2), which can be mounted into the side accessory mount socket (4). The thread is a standard ¼” type and will accept any accessory with mounting screw of that size.

TAKING PICTURES AND RECORDING HD VIDEOS:

WE STRONGLY RECOMMEND MOUNTING YOUR DEVICE ONTO A STEADY TRIPOD WHEN RECORDING VIDEO OR TAKING STILL IMAGES – PARTICULARLY WHEN WATCHING DISTANT OBJECTS AND/OR UTILIZING ZOOM FUNCTION

Your digital viewer has the ability to take pictures and record HD videos onto the external Micro-SD card. 8GB card is included with your unit and it is already installed into the SD-card slot. The Micro-SD card can be upgraded up to 128GB, which is especially useful if you plan to record a lot of videos. To change the SD-card, open the SD-card/USB compartment (7) by carefully sliding the latch to the right. The door will pop open as you see on the image on the previous page. Remove the included 8GB card by pressing onto its end. It will pop out of its slot (15) as shown on the image. Gently remove the card and replace it with the new one by pressing it straight forward until it is securely locked in the slot. Close the compartment door and lock it by sliding the latch to the left.



To take a picture, focus the unit onto the object you are viewing and with a steady hand firmly press the PIC button (10) once. The display will give a countdown (2-1) and then image is taken and is automatically stored onto the SD card.

To record a video, focus the unit onto the object and press REC button (9) once. The system will start recording. Please note that the video is being recorded in Full-High Definition (1080p) and in the Widescreen format (16x9). To pause video recording press PIC button (10) once. To resume video recording press PIC button again. To stop recording, press Power button (12) once. During recording it is still necessary to re-adjust the focus if you wish to record different objects, located at different distances. Please be aware that actual video recording quality is significantly higher than what you will see through the viewfinder – to see recording in widescreen HD format please remove the micro-SD card and play it on your Blu-Ray player or computer.

NOTE: during daylight video-recording is 60fps, during nighttime it is 30fps.

DATA VIEWING AND DATA TRANSFER OPTIONS:

It is possible to view the images and videos directly on the unit's micro-display. To do so, while the unit is operating press the Power button (5) momentarily just once. You will be able to switch between images and videos by pressing IMAGE button (4) in either + or – direction. To play the recorded video, press PIC button (3) once. To stop playing video press PIC button again. To exit picture/video viewing mode and to come back to the active image mode, press Power button (5) briefly just once. Please note – if you press and hold Power button, your unit will shut down and would need to be reactivated again by pressing Power button once.

You can connect the unit directly to the computer via USB connection by utilizing the micro-USB connector (16). To do so, first connect the micro-USB part to the unit, then connect the standard USB part to the computer. Look through the eyepiece – choose MASS STORAGE option via the IMAGE button and confirm your selection with either PIC or REC button (depending on the software version). Once connected to the computer, the software will download automatically and you will be able to open and transfer all of your SD-card files onto your computer.

Alternatively, you can remove the micro-SD card from the monocular and use it in the included USB flash drive adapter to transfer data to your computer. If your computer has a direct micro-SD slot, you can insert the card directly to the slot bypassing the above options. It is also possible to utilize the full-size SD card adapter (not included with monocular).

CHOOSING CORRECT ISO (SENSITIVITY) SETTING:

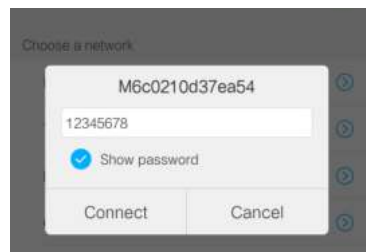
Your digital monocular comes with 5 user-selectable ISO (sensitivity) settings, plus an AUTO mode. All units come with AUTO mode as a default setting and in most conditions this mode is the best choice for viewing and recording. In certain conditions where extra sensitivity is desired (such as Sky Watching where small light objects need to be constantly seen) it is better to select one of the highest ISO settings (between 1600 and 6400) for constant sensitivity, which prevents any sudden bright light source to lower the overall system sensitivity. To choose the ISO setting, access the menu by long pressing the IR button (13) and selecting desired mode with IMAGE button (11) and confirming with IR button (13)

CONNECTING TO EXTERNAL VIDEO SOURCE:

You can connect your device to the TV/VCR/DVR via the RCA-type video cord (included with your device). Connect the small end of the Video cable to the Video Output (5) and then connect to the TV/Recorder. . NOTE – if you live outside of the USA, you may need to switch the Video Output from NTSC to PAL by accessing the menu (Press IR Button for 2 seconds and when Menu appears select Video Format with Image button (11) and activate it with IR button (13). Switch between NTSC and PAL formats by pressing the Image Button and confirm your setting by pressing IR or REC button (depending on the software version).

WI-FI LINK INSTRUCTIONS:

1. Download “**ROADCAM**” app on your Android phone/tablet or on iPhone/iPad
2. Press **PIC** button for 3 seconds to activate your monocular WI-FI setup. Look through the eyepiece and observe the WI-FI link name and Password. The Wi-Fi link is the first line of the screen and the password is on the second line.
3. Find the Wi-Fi link (same as first line shown on the unit’s LCD display) on your smartphone or tablet and connect to it.
4. Enter password (second line of the unit’s LCD display) – NOTE: only numbers after “.” are needed to be entered – typical default password is 12345678



5. **IMPORTANT:** make sure your smartphone or tablet does not automatically disconnect from this signal due to no internet availability – most smart devices do that by default – they automatically switch to the better/saved signal which has internet. Go to your smart device settings and allow it to keep connected to this signal.
6. Now open the app and it will display the device name below the orange cam symbol – simply touch the cam symbol and app will connect to the device.
7. Follow on screen menu on your smart device to utilize the available features of the app. NOTE: during Wi-Fi streaming the ZOOM function is disabled and cannot be utilized!

RE-FORMATting 64GB & 128GB MICRO-SD CARDS TO FAT32

FORMAT:

Any micro-SD card above 32GB needs to be re-formatted from EXFAT format to FAT32 format, which is the format of the night vision monocular (and many other consumer electronics). Please note that FAT32 is the most widely used format and is also considered the most reliable format.

In order to re-format the card you must run it through a 3rd party provider. We suggest using Disk Partition. While nearly all of the providers would want you to buy their upgraded versions, you can just download their basic free version and it would be sufficient to re-format the card. Disk Partition seems to be the most simple and hassle-free provider we could find:

<https://www.disk-partition.com/download.html>

- Download the “Standard Free” version and follow all the download instructions.
- Once downloaded, open the program and insert the micro-SD card into the computer.
- Highlight the correct disc by single-click and then choose on the bottom left side of the menu to “Format Partition” (alternatively right-click on the highlighted disc and choose the same function). A pop-up window will appear. You can label your partition (such as “Luna Optics Monocular” or any other name you desire (it’s optional) and then make sure to select “FAT32” as the File System. Then click “OK”.
- Once the format is finished, click on “Apply” located in the most upper left corner. You must select “Apply” otherwise the formatting is not finished.
- Your card is now formatted, but before you can use your 64GB+ card in our digital night vision product you must also format the card inside

the product. To do so, insert the card into its slot, turn the night vision on and through the menu find and select “Format”, then select “OK”. Once the card is formatted inside the night vision device it is now ready to use.

TROUBLESHOOTING:

1. Unit does not turn on and the light indicator is off:
 - a) please check if the batteries are inserted correctly
 - b) please make sure the batteries are fresh
2. The light indicator is working, but you cannot see the image:
 - a) you may be turning the unit on in a dark area with the lens cover still on the unit
 - b) You may need to turn on the infrared light
3. Unable to obtain sharp and clear image:
 - a) you may need to repeat the process of rotating the ocular and objective lens several times until you get a good feel of it
 - b) You may be viewing an object that is too close – the minimum focusing distance is approximately 80cm or 2.6ft
4. I switch from active image to photo/video review and the unit shuts off:
 - a) You are holding the Power button too long. You must only press the Power button momentarily to activate this function.
5. Image freezes during operation or during initial turn on:
 - a) Open at least one battery compartment and then re-activate the unit.
6. I'm trying to turn the IR illuminator on and instead I see the menu:
 - a) You are holding the IR button for more than 1 sec. In order to turn the IR illuminator on, you must press the IR button only momentarily.

WARNING! NEVER ATTEMPT THE FOLLOWING:

- **Try to disassemble the unit by yourself or by anyone who is not our authorized technician. Doing so may result in injury and will void any warranty claims**
- **Charge batteries included with the unit – they are not rechargeable!**
- **Charge ANY batteries inside the unit – it can only be done in the correct battery charger!**

- Leave the batteries inside the unit while operating it from the AC/DC source! You must remove the batteries prior to connecting the cord!
- Submerge the unit into water or use it during heavy rain.

TECHNICAL SPECIFICATIONS:

Image Sensor Resolution / Sensitivity:	_____ 1920x1080 / 0.002lux (night)
Image Display _____	0.26" Micro-flat HR 800x600
Still Image resolution _____	1440x1080, JPEG
Video resolution (signal) _____	Full-HD 1080p, AVI (NTSC / PAL)
Video recording daytime _____	60fps
Video recording nighttime _____	30fps
Image Magnification _____	5x-25x (6x-30x)
Focusing Distance _____	80cm (2.6ft) - ∞
Viewing Distance (clear skies, full moon) _____	600m (656yds)
Viewing Distance (1/4 Moon) _____	400m (437yds)
Viewing Distance (IR complete darkness) _____	200m (219yds)
Field Of View _____	9° (7°)
Memory _____	Micro SD card (up to 128GB)
Wi-Fi streaming _____	iOS/Android
Power _____	2 x 3V Lithium (CR123A) / or 5V/2A Power Bank
Operating Time _____	2.5-3hrs (CR123A)
Dimensions (50mm lens) _____	195mm x 84mm x 60mm (7.6"x3.3"x2.3")
Weight _____	490g - 510g (1-1.1 lbs.)
Warranty _____	1yr