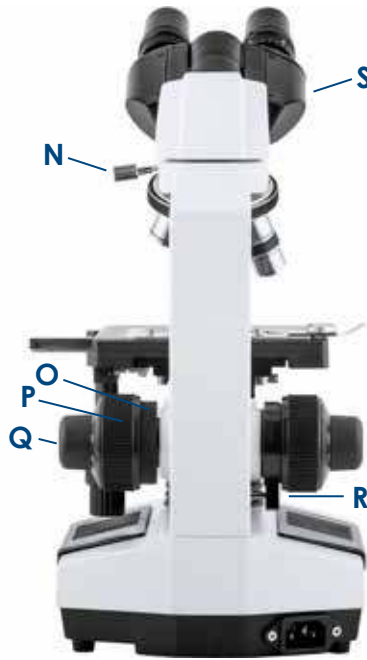
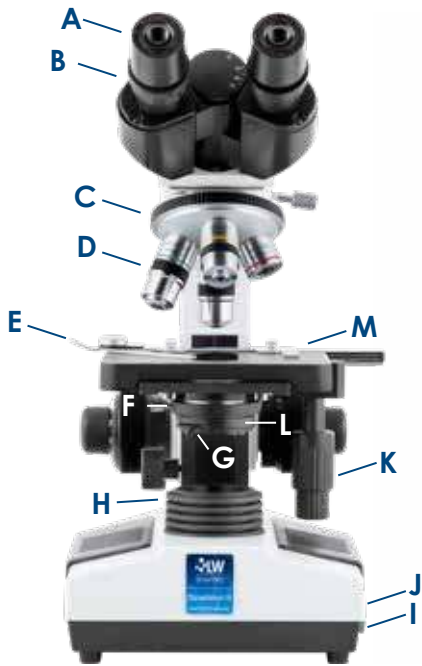




Model pictured:

Revelation III LED

Not all features available on all models - see back page for model specifications.



- A** Eyepieces
- B** Single Diopter Adjustment
- C** Nose Piece
- D** Objectives
- E** Slide Holder & Slide Finger
- F** Substage Abbe Condenser
- G** Flip-out Filter Holder
- H** Base Condenser
- I** On/Off Switch
- J** Brightness Control
- K** X/Y Axis Stage Controls
- L** Substage Iris Diaphragm
- M** Stage
- N** Head Retention Screw
- O** Friction Adjustment Ring
- P** Coarse Focus
- Q** Fine Focus
- R** Stage Stop Lever
- S** Microscope Head (Binocular model shown)

Introduction

The LW Scientific Revelation III Microscope is our best-selling medical-grade compound microscope, popular in physician and veterinary offices as well as universities and medical schools. Its crisp optics, sturdy design and proven track record make the Revelation III the best choice for superior performance at an economical price. The Revelation III Microscope is intended for use as a biological microscope in a professional environment in accordance with the guidelines set forth in this operations manual.

Portable, Rechargeable Model Available



Powered by USB Power Adapter



Powered by Laptop USB Port



Powered by Rechargeable Battery

R3M-BN4A-DALP: Portable Revelation III, Binoc with 5V DC Base, USB Cord, & Battery

R3M-TN4A-DALP: Portable Revelation III, Trinoc with 5V DC Base, USB Cord, & Battery

Unpacking and Setup

distributor from whom you purchased the microscope. Please retain all packaging material for future use. Carefully unpack** your Revelation III Microscope using the following checklist for all the parts and accessories:

- | | |
|---|--|
| 1 - Microscope body with Abbe condenser | 1 - Immersion oil |
| 2 - 10x eyepieces | 1 - Dust cover |
| 1 - Binocular or Trinocular head (Seidentopf style) | 1 - Spare Fuse |
| 1 - Mirror and attachment device for field use | **Note: Some parts may be packed in the outer recesses of the Styrofoam blocks |
| 2 - Filters (blue & green) | |
| 4 - Objectives 4X, 10X, 40XR, 100XR (oil) | |
| 1 - 3-Prong power cord (For portable model: USB cord with powerblock, plus rechargeable battery) | |

When purchased from LW Scientific or from an authorized distributor, LW Scientific Professional Stereoscopes and Laboratory Microscopes have a life time warranty against defects in materials and workmanship and one (1) year warranty on electronic components. This warranty is not valid on normal wear and tear, cosmetic damages caused by chemicals, solvents, and/or cleaning solutions, as well as acts of God.

Please register your product online at: www.lwscientific.com/warranty_form.

Important: Warranty information must be completed within 30 days of purchase.

Assembly

- 1 Remove the body of the microscope and place it on a sturdy, dust-free surface. Remove the plastic caps in the nose piece. Install the **Objectives** in such a way that when you turn the **Nose Piece** clockwise, you are moving from the 4x, to 10x to 40x and finally to the 100x objective.
- 2 Remove the **Microscope Head** from the Styrofoam carton and pull off the protective covers from the **Eyepieces** and head mount. Insert the head mount into the upper arm of the body. Using the **Head Retention Screw**, secure the **Microscope Head** in place. **Note:** Do not over-tighten.
- 3 Insert the 10x eyepieces.
- 4 For protection during shipping your Revelation III is shipped with the stage locked in low position. To disengage the lock, pull the **Stage Lock Lever** towards the rear and downward. The **Stage** should now move upward freely.



- 5 Attach the power cord.

Power

If you suspect faulty electronics, call LW Scientific's technical service department at 800-726-7345.

Input: Auto-switching 100V-240V AC / 50-60Hz **(For portable model: 5 volt DC power from USB port or battery)**

Bulb: 3w LED

Fuse: T1A

Operation

- 1 Once you have assembled all the parts and allowed your microscope to come to room temperature, then plug in the power cord. **Note:** Excess cold can fog lenses and cause lamp to fail.
- 2 Turn the light on using the green **On/Off Switch** on the right side of the base. Next, adjust the light intensity using the **Brightness Control** located on the right side just behind the **On/Off Switch**.
- 3 In order to become acquainted with the controls, choose a specimen slide with which you are familiar. For example, an old hematology slide or a commercially prepared slide. Place the slide into the **Slide Holder** by pushing back on the thumb guard to open the **Slide Finger**. The **Slide Finger** closes slowly to eliminate the possibility of chipping the corner of your slide when it closes.
- 4 Move the slide to the center of the **Stage**, by turning the **X/Y Axis Stage Control**, located just below the **Stage**. The **X/Y Axis Stage Control** allows you to move the slide on the X-Y axis (forward/backward and left/right).
- 5 The **Substage Iris Diaphragm** should be set to match the aperture of the objective for maximum resolution under each objective power. You should begin with the 4x or 10x objective.

4x objective	1.0 N.A. (nearly closed)	40x objective	- 0.65 N.A. (halfway closed)
10x objective	- 0.25 N.A. (1/4 closed)	100x objective	- 1.25 N.A. (wide open)
- 6 Once you are comfortably seated, look into the oculars and move the eyepiece tubes together or apart until you see only one complete circle of light. You have now adjusted your interpupillary distance.
- 7 Using the 4x or 10x objectives and the **Coarse** and **Fine Focus Adjustment** knobs, bring the specimen into focus. Now, move the 40x objective into place. You will feel a "clicking" action when the **Objective** is seated properly. Again, adjust focus for best image. You should also adjust the **Substage Iris Diaphragm** (as listed above) for the best contrast and resolution.
- 8 **Diopter Adjustment:** If you are using a binocular microscope, it is necessary to adjust the normal difference in vision between your two eyes. This is a simple, but critical adjustment! Close your left eye and look into the right ocular with your right eye. Adjust the focus to give you the best image. Now look at the ocular tube on the left. You will see the left ocular tube has a built-in **Single Diopter Adjustment**. Now close your right eye and look with your left eye into the left ocular. Using the **Single Diopter Adjustment** on the left ocular tube, adjust the focus until you see a clear, focused field.
- 9 **Friction Adjustment:** With repeated use and wear, the **Stage** may drift out of focus. If this happens, tighten the **Friction Adjustment Ring** (located on the right side of the microscope between the **Coarse Focus** and the body of the microscope). If the **Coarse Focus** is hard to turn, you may choose to loosen the **Friction Adjustment Ring**.
- 10 **Stage Stop Lever:** To help prevent the **Stage** from making contact with the **Objectives**, the Revelation III Microscope is equipped with an adjustable **Stage Stop Lever**. Rotate the 100x oil objective into place and put a slide into the **Slide Holder**. Slowly raise the **Stage**, stopping when the slide makes contact with the **Objective**. Now, turn the **Stage Stop Lever** in a clockwise direction toward you. The **Stage Stop Lever** is located on the left side of the microscope between the **Coarse Adjustment** and the body of the microscope.

Maintenance

- 1 Always cover your microscope with the dust cover when not in use.
- 2 When cleaning the lenses, use lens paper or a cotton swab dipped in lens cleaning solution.
- 3 Excess oil should be cleaned off your 100x objective and stage at once. An alcohol pad is best for removing oil from the stage and on the other metal parts, but is not recommended for use on the lenses. Use lens cleaning solution and lens paper to clean off your objectives.
- 4 Dust in the nosepiece or ocular tubes should be blown out using filtered air. Canned air dusters work well for this job.
- 5 Whenever you remove an objective, we recommend that you place it back into the original plastic shipping vial until ready to be placed back on the microscope. **SCREW THE OBJECTIVE SECURELY INTO THE CAP OF THE HOLDER - DO NOT DROP OBJECTIVE LOOSELY INTO CONTAINER.**
- 6 To keep your microscope in top condition for years, LW Scientific recommends that you have the microscope professionally serviced once a year. **Warning: The 40x objective is not sealed for oil immersion. Damage to the 40x objective due to oil immersion is not covered under warranty.**

Specifications

Nosepiece

Quadruple hole multiple ball bearing

Head

Binocular (Seidentopf)
Inclined 30°, rotates 360°
Single diopter adjustment
10X/18 wide-field eyepieces
Monocular or Trinocular available

Illumination

Moveable Abbe Condenser (NA 1.25)
Iris Diaphragm
Swing-out filter holder with blue and green filters
LED light

Operating Environment

Indoor Use Only
Ambient temperature: 5° to 40°C (41° to 104°F)

Stage

Mechanical stage
(140 mm x 130 mm) – coaxial drive controls
Range of traverse is 78 mm x 50 mm
Acid and reagent resistant finish

Dimensions and Weight

Weight: 14 lbs / 6.4 kg
Height: 15" / 380 mm
Length: 9" / 230 mm
Width: 7" / 178 mm
Shipping weight: 17 lbs/ 8kg

Objectives

DIN Achromatic or DIN Plan
4X N.A. 0.10
10X N.A. 0.25
40XR N.A. 0.65
100XR N.A. 1.25 (oil immersion)
20X, 50X oil Plan, and 60XR available

Adjustment Controls

Eyepiece: Interpupillary distance adjustment
Binocular: 48-75mm
Trinocular: 55-75 mm
Stage Controls: Knobs allow movement of slide on X-Y axis
Etched vernier scales
Coarse Adjustment: Range of 30 mm
Fine Adjustment: Graduation of 2µm
Variable Light Adjustment

Construction

Rugged alloy

Objectives: The following numbers are based on use with 10x/18 eyepieces.

Size	N.A.	Mag.	Field of View
4X	0.10	40X	4.5 mm
10X	0.25	100X	1.8 mm
20X	0.40	200X	0.9 mm
40XR	0.65	400X	0.45 mm
50XR	0.95	500X	0.36 mm
60XR	0.85	600X	0.3 mm
100XR	1.25	1000X	0.18 mm