

EXPLORE[®]
SCIENTIFIC



BT Series

Giant Binoculars

BT-70SF - BT-82SF - BT-100SF - BT-120SF

Art. No. 0114200 / 0114210 / 0114220 / 0114230

U-Mount with tripod

Art. No. 0114300

INSTRUCTION MANUAL

DANGER! Never look directly at or near the sun with this device without solar filter! Direct sunlight will cause serious damage of your eyes or even blindness within a few seconds.

GEFAHR! Blicken Sie niemals mit diesem Geräte ohne Sonnenfilter direkt in oder in die Nähe der Sonne! Direkte Sonneneinstrahlung führt bereits nach wenigen Sekunden zu schweren Augenschäden oder sogar zu einer Erblindung.

DANGER! Ne regardez jamais directement ou près du soleil avec cet appareil sans filtre solaire! La lumière directe du soleil causera de graves dommages aux yeux ou même la cécité en quelques secondes.

¡PELIGRO! Nunca mire directamente o cerca del sol con este dispositivo sin filtro solar! La luz solar directa causará daños graves en los ojos o incluso ceguera en unos pocos segundos.

PERICOLO! Non guardare mai direttamente o vicino al sole con questo dispositivo senza filtro solare! La luce solare diretta causerà gravi danni agli occhi o addirittura la cecità in pochi secondi.

GEVAAR! Kijk nooit direct of in de buurt van de zon met dit apparaat zonder zonnfilter! Direct zonlicht zal binnen enkele seconden ernstige schade aan uw ogen of zelfs blindheid veroorzaken.

- DE** Besuchen Sie unsere Website über den folgenden QR Code oder Weblink um weitere Informationen zu diesem Produkt oder die verfügbaren Übersetzungen dieser Anleitung zu finden.
- GB** Visit our website via the following QR Code or web link to find further information on this product or the available translations of these instructions.
- FR** Vous souhaitez un mode d'emploi détaillé pour ce produit dans une langue spécifique ? Alors consultez notre site Internet à l'aide du lien suivant (code QR) pour voir les versions disponibles.
- ES** ¿Desearía recibir unas instrucciones de uso completas sobre este producto en un idioma determinado? Entonces visite nuestra página web utilizando el siguiente enlace (código QR) para ver las versiones disponibles.
- NL** Bezoek onze internetpagina via de volgende QR-code of weblink, voor meer informatie over dit product of de beschikbare vertalingen van deze gebruiksaanwijzing.
- IT** Desidera ricevere informazioni esaustive su questo prodotto in una lingua specifica? Venga a visitare il nostro sito Web al seguente link (codice QR Code) per conoscere le versioni disponibili.



www.bresser.de/P0114200



www.bresser.de/P0114300

Set content



Giant binoculars



**U-Mount
with mounting plate
and tripod head adapter**



**Tripod
with spacing plate
and central screw**

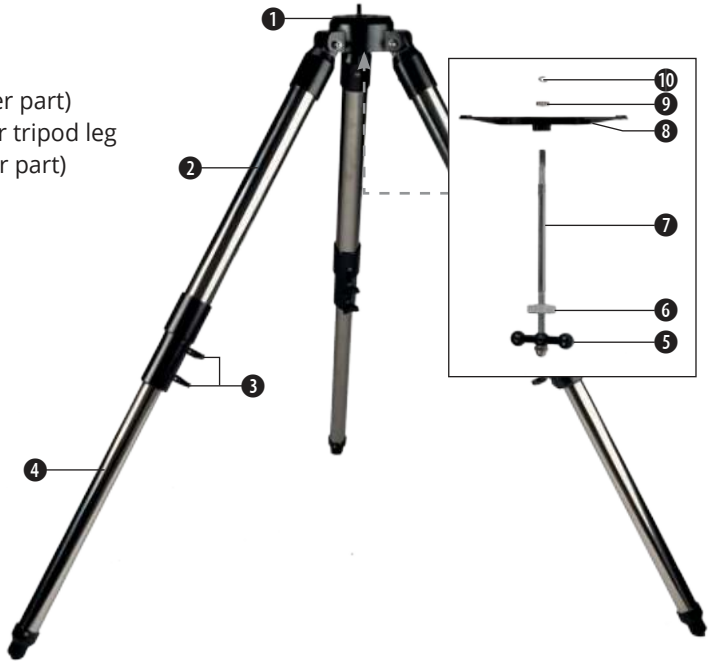


**2x 62° LER eyepiece
20mm Ar**

Parts overview

Tripod

1. Tripod head
2. Tripod leg (upper part)
3. Fixing screws for tripod leg
4. Tripod leg (lower part)
5. Spindle crank
6. Knurled screw
7. Central screw
8. Spacing plate
9. Washer
10. C-Clip



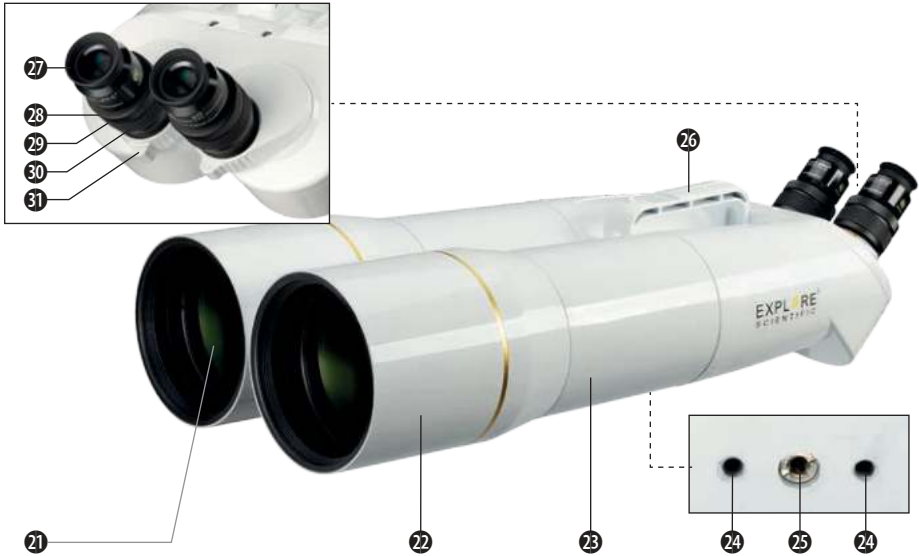
U-Mount

11. Friction wheels
for height adjustment
12. Movable height cradle
13. Fork arm
14. Adapter plate for 15.
15. 1/4" threaded screws
16. Dovetail rail
17. Fixing screws for 16.
18. Turnable azimuthal axis
19. Fixing screw for 18.
20. Mounting head
21. Tripod head adapter



Parts overview

Giant binoculars



- 21. Objective Lens
- 22. Dew/sun protection cap, extendable
- 23. Tube
- 24. 1/4" Connection thread
- 25. 3/8"-Connection thread* with unscrewable 1/4" Connection thread adapter
- 26. Transport handle
- 27. Eyepiece, exchangeable
- 28. Eyepiece holder
- 29. Eyepiece clamping ring
- 30. Focusing
- 31. Interpupillary distance adjustment

* for mounting on photo tripods with corresponding mounting head. 1/4" connection thread can be unscrewed using a slotted screwdriver, thus exposing a 3/8" connection thread.



When mounting the binoculars on a photo tripod with appropriate mounting head, make sure that the photo tripod and the mounting head have sufficient load-bearing capacity!

Assembly



1. Spread the tripod legs, extend and clamp them.



2. Assemble spacing plate and central screw.



3. Insert the central screw with the spacing plate in the tripod head and fix it.



4. Insert the tripod head adapter into the tripod head. Place the U-Mount on the tripod head adapter.



5. Screw the U-Mount with the tripod head adapter and the tripod. Tighten the tripod legs with the knurled screw.



6. Friction adjustment of the coupling for the height axis.

Assembly



7. Friction adjustment of the coupling for the azimuth axis.



8. 2 x 1/4" connection thread on the bottom side of the binoculars



9. Mounting the adapter plate on the bottom side of the binoculars.



10. Insert the binoculars in the dovetail guide of the U-Mount.



11. Hold the binoculars by the carrying handle and tighten the fixing screws.



12. Balance the binoculars at the centre of gravity.

Observation



13. Align the binoculars to the object of observation. Possibly pull out the protection caps.



14. Remove the dust caps from the objective lenses.



15. Remove the dust caps from eyepiece holder.



16. Insert and clamp the eyepieces.

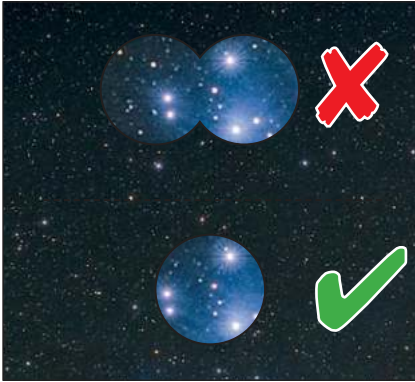


17. Focusing by means of helical single focusing.

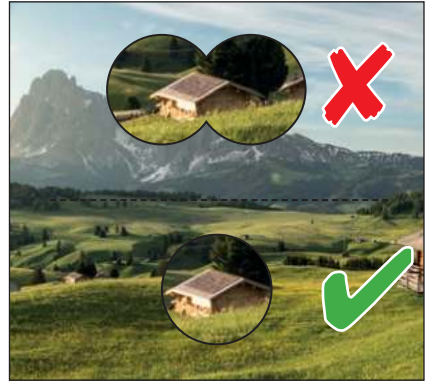


18. Adjusting the eye relief.

Observation



Astronomical observations



Land observations

Tips on observation



Moon*



Star cluster M45 Pleiades*



Orion nebula M42*



Landscape*



Birds*



Ships*

* Sample images for illustration purposes. The actual image size and image quality depends on the selected eyepieces. Astronomical motifs are usually not visible in colour due to the long observation distance.

Optionally available accessories



When using optional accessories, read separate instruction manual!
Only use accessories authorized by the manufacturer!



EXPLORE SCIENTIFIC Eyepiece series



EXPLORE SCIENTIFIC Nebula filters



EXPLORE SCIENTIFIC TELRAD
Projection viewfinder with base



EXPLORE SCIENTIFIC Filter Set 2

Cleaning & Maintenance

Giant binoculars

- Clean the lenses (eyepieces and/or objective lenses) only with a soft and lint-free cloth (e.g. microfibre cloth). To avoid scratching the lenses, use only gentle pressure with the cleaning cloth.
- To remove more stubborn dirt, moisten the cleaning cloth with an eyeglass-cleaning solution and wipe the lenses gently.
- Protect the device from dust and moisture! After use, particularly in high humidity, let the device acclimatise at room temperature for a short period of time, so that the residual moisture can dissipate. Put the dust caps on and store it in a dry and heated place.

U-Mount and tripod

- Clean the device only on the outside with a dry cloth.

Technical data

Giant binoculars

Product (Art. No.)	Objective lens type	Aperture (mm)	Focal length (mm)	Dimensions (LxWxH) (mm)	Weight (kg)
BT-70SF (0114200)	achromatic (2 elem./1 gr.)	70	400	370x213x122	3.4
BT-82SF (0114210)	achromatic (2 elem./1 gr.)	82	470	445x226x122	4.3
BT-100SF (0114220)	achromatic (2 elem./1 gr.)	100	550	520x270x155	6.8
BT-120SF (0114230)	achromatic (2 elem./1 gr.)	120	660	654x290x156	8.3

U-Mount and tripod

Product (Art. No.)	Type	Loading capacity (kg)	Dimensions (LxWxH) (extended, mm)	Weight (kg)
U-Mount with tripod (0114300)	Fork arm mount on steel tripod	12.0	1000x1000x1400	11.3

EXPLORE[®]
S C I E N T I F I C

Bresser GmbH

Gutenbergstr. 2 · DE-46414 Rhede
Germany

www.bresser.de · service@bresser.de