

CARSON®

The Rock Tripod

with 3-Way Fluid Panhead

TR-200

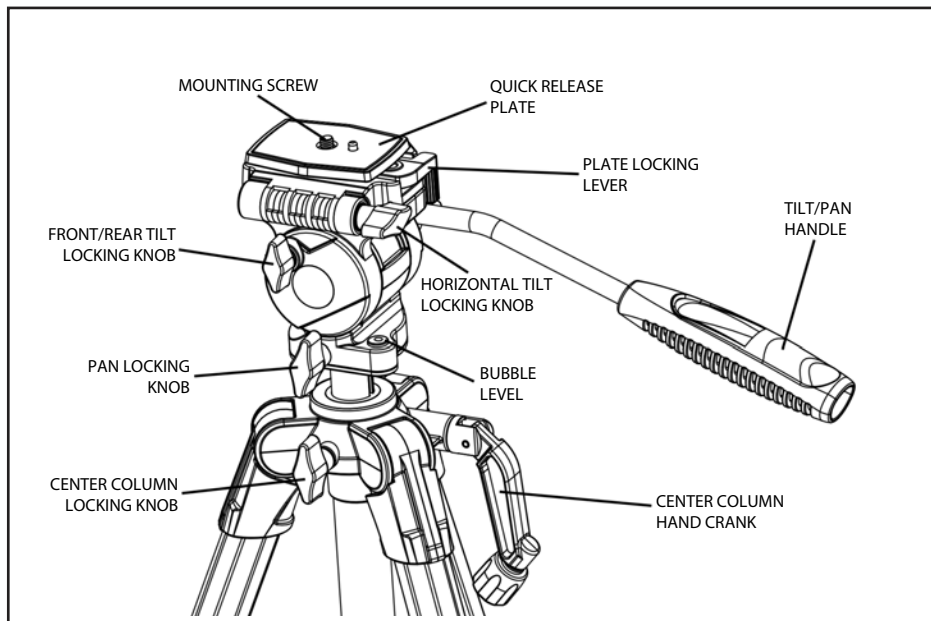


Congratulations on selecting your new Tripod! In order to achieve optimum performance, please follow instructions for proper use and care.

PRODUCT SPECIFICATION:

Head Type:	3-Way Fluid Panhead
Leg Sections:	4
Maximum Height:	57.6"
Maximum Tube Diameter:	23mm
Maximum Load:	7.7 lbs.
Features:	Bubble Level, Quick Release Shoe, Non-Slip Pivoting Rubber Feet, Carrying Case, Geared Elevator, Accessory Hook

TR-200 PANHEAD DIAGRAM:



IMPORTANT:

- Do not exceed maximum load capacity of the tripod.
- Do not mount optic to tripod until all legs are securely locked, level and stabilized.
- Make sure all panhead locks are tightened securely before mounting any optic.
- Do not overtighten locks as this may damage the locking mechanisms.
- Make sure optic is securely fastened to quick release plate before mounting to tripod.
- Do not carry the tripod by the panhead.
- Remove optic before taking down, adjusting or transporting your tripod.
- Always store tripod in carrying case when not in use.

Customer Service:

If you experience any difficulties, please contact us and we will be happy to help you.



✉ info@carson.com



✉ uksupport@carson.com



✉ eusupport@carson.com

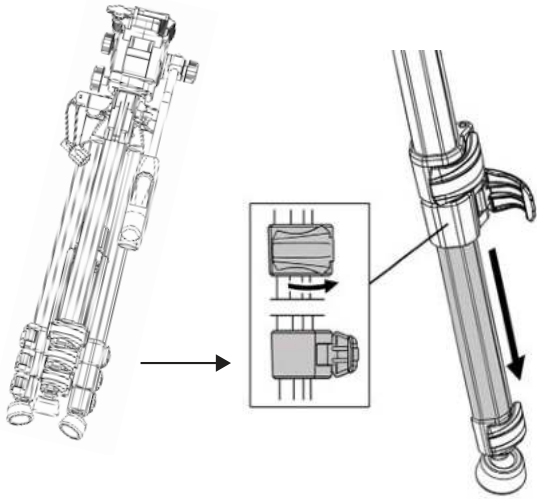
For warranty information, visit www.carson.com/warrant

www.carson.com

Carson Optical 2070 5th Avenue, Ronkonkoma, NY 11779 | Tel: 631-963-5000

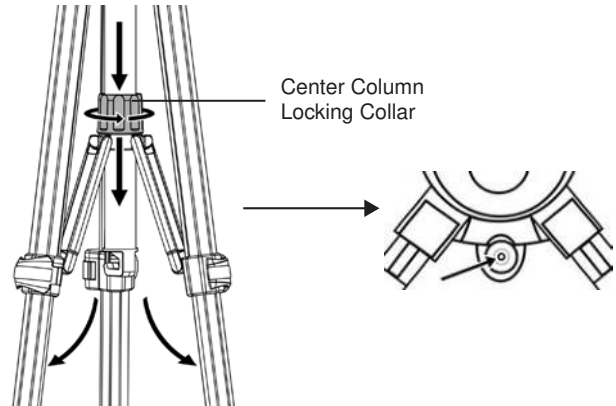
SETTING UP TRIPOD:

1. Flip open leg locks and extend legs to desired height. Close leg locks to lock in place.



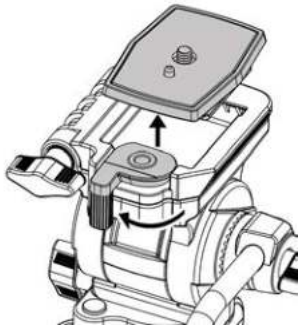
2. Loosen center column locking collar. Spread tripod legs to desired width. Tighten collar to lock in place.

Note: To make sure tripod is level, the bubble level (located on panhead) should appear centered inside red circle when level. Adjust leg height as needed to level tripod.

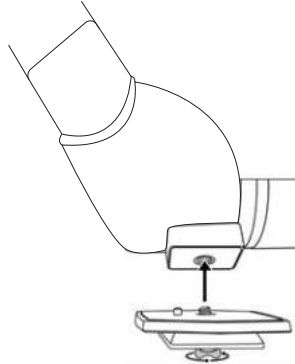


ATTACHING OPTIC:

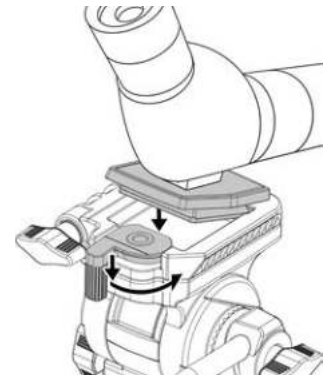
1. Pull back plate locking lever to remove quick release plate.



2. Insert mounting screw into thread on optic and turn wingnut (located on underside of quick release plate) clockwise until tight. This will secure optic to plate.

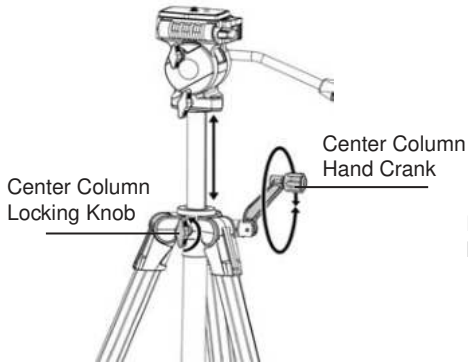


3. Reattach quick release plate to tripod head. Press down plate and lever will shift into place and lock.

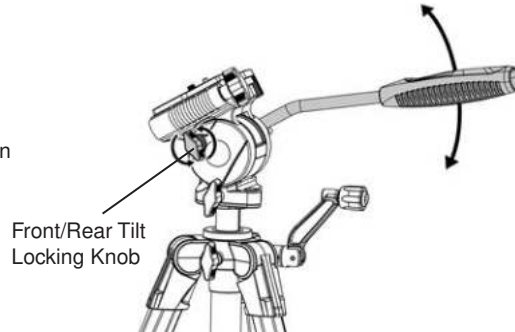


USING TRIPOD:

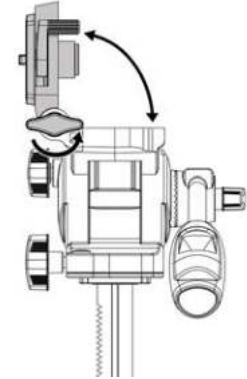
1. To adjust center column height, turn locking knob counter clockwise to unlock. Use hand crank to raise/lower the head. Turn locking knob clockwise to lock in place.



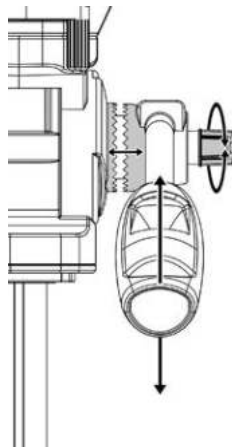
2. To adjust front/rear tilt, loosen front/rear tilt locking knob by turning counter clockwise. Raise or lower tilt/pan handle to desired angle. Tighten knob to lock in place.



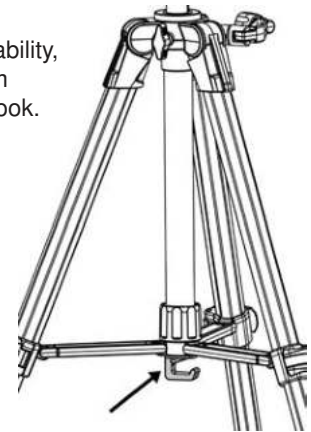
3. To switch between landscape and portrait mode, loosen horizontal tilt locking knob by turning counter clockwise. Tilt optic to desired angle. Tighten knob to lock in place.



4. To adjust pan/tilt handle angle, loosen locking knob by turning counter clockwise until interlocking teeth disengage. Position handle as desired and tighten knob to lock.

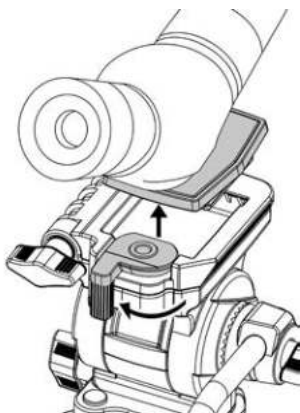


5. For additional stability, hang weight from center column hook.



REMOVING OPTIC & STORING TRIPOD:

1. While holding optic securely, pull out plate locking lever and lift optic upward to remove from tripod. Unscrew quick release plate from optic and replace plate on tripod.



2. To store tripod, loosen tripod center column collar. Fold legs inward and unlock leg locks to retract legs. Tilt head back so handle is parallel to legs. Secure all locks and place in carrying bag.

