

CARSON®

The Rock Tripod

with 3-Way Fluid Panhead

Congratulations on selecting your new Tripod! In order to achieve optimum performance, please follow instructions for proper use and care.

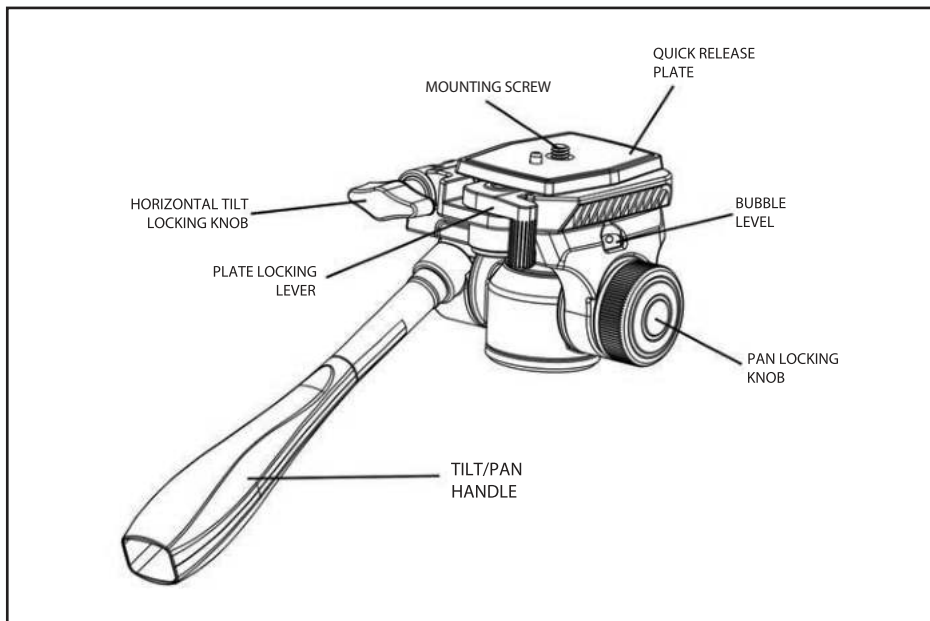


TR-100

PRODUCT SPECIFICATION:

Head Type:	3-Way Fluid Panhead
Leg Sections:	3
Maximum Height:	20.8"
Maximum Tube Diameter:	20.5mm
Maximum Load:	5.5 lbs.
Features:	Bubble Level, Quick Release Plate, Non-Slip Rubber Feet, and Carrying Case

TR-100 PANHEAD DIAGRAM:



IMPORTANT:

- Do not exceed maximum load capacity of the tripod.
- Do not mount optic to tripod until all legs are securely locked, level and stabilized.
- Make sure all panhead locks are tightened securely before mounting any optic.
- Do not overtighten locks as this may damage the locking mechanisms.
- Make sure optic is securely fastened to quick release plate before mounting to tripod.
- Do not carry the tripod by the panhead.
- Remove optic before adjusting or transporting your tripod.
- Always store tripod in carrying case when not in use.

Customer Service:

If you experience any difficulties please contact us and we will be happy to help you.



✉ info@carson.com



✉ uksupport@carson.com



✉ eusupport@carson.com

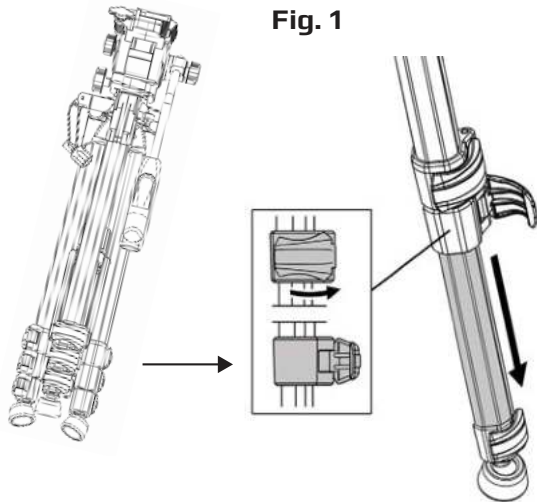
For warranty information, visit www.carson.com/warrant

www.carson.com

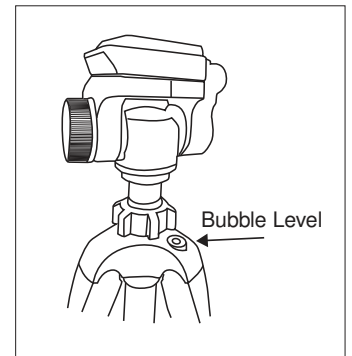
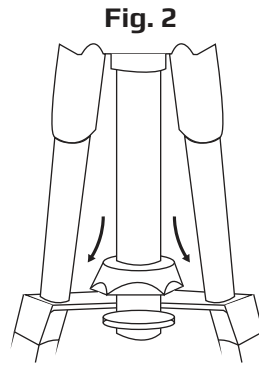
Carson Optical 2070 5th Avenue, Ronkonkoma, NY 11779 | Tel: 631-963-5000

SETTING UP TRIPOD:

1. Flip open leg locks and extend legs to desired height. Close leg locks to lock in place (Fig. 1).

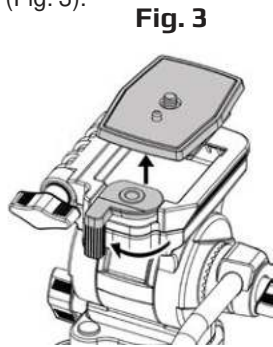


2. To make sure tripod is level, the bubble level should appear centered inside red circle. Adjust leg height as needed to level tripod (Fig. 2).

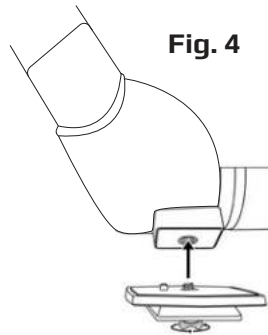


ATTACHING CAMERA OR SPOTTING SCOPE:

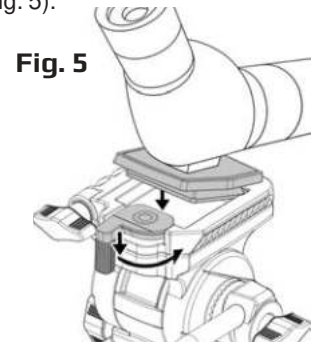
1. Pull back plate locking lever to remove quick release plate (Fig. 3).



2. Insert mounting screw into thread on optic and turn wingnut (located on underside of quick release plate) clockwise until tight. This will secure optic to plate (Fig. 4).



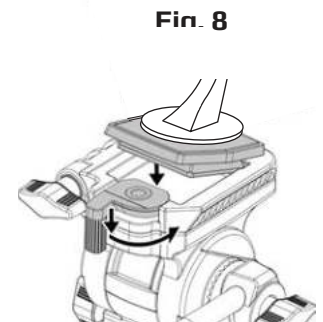
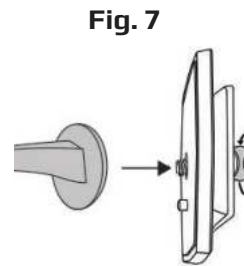
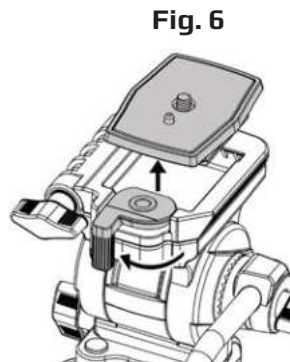
3. Reattach quick release plate to tripod head. Press down plate and lever will shift into place and lock (Fig. 5).



ATTACHING BINOCULARS:

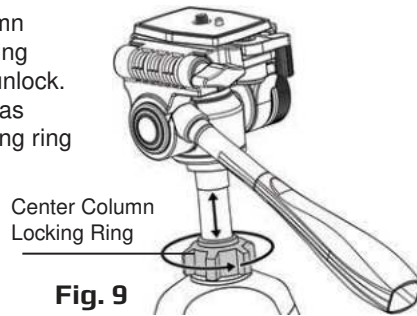
PLEASE NOTE: To attach your full sized binoculars to a tripod, you will need a tripod binocular adapter (not included).

1. Pull back plate locking lever to remove quick release plate (Fig. 6).
2. Insert mounting screw into thread on adapter and turn wingnut (located on underside of quick release plate) clockwise until tight. This will secure adapter to plate (Fig. 7).
3. Reattach quick release plate to tripod head. Press down plate and lever will shift into place and lock (Fig. 8).
4. Attach binocular to adapter.



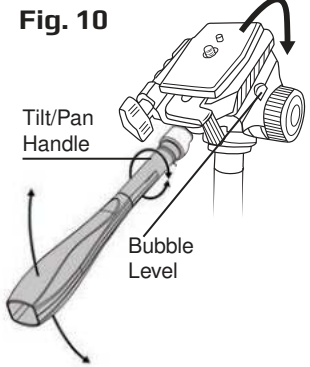
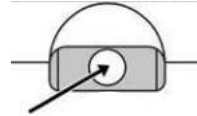
USING TRIPOD:

1. To adjust center column height, twist locking ring counterclockwise to unlock. Raise center column as needed. Tighten locking ring to secure (Fig. 9).

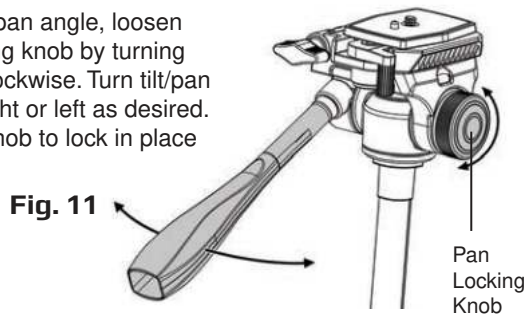


2. To tilt panhead up or down, twist tilt/pan handle counterclockwise to loosen. Raise or lower tilt/pan handle to desired angle. Tighten handle to lock in place (Fig. 10).

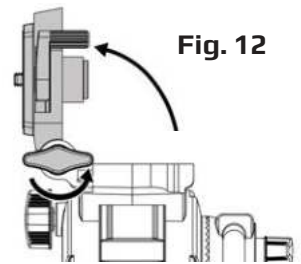
Note: To keep level, raise or lower Tilt/Pan Handle until the bubble inside the bubble level is in middle of tube.



3. To adjust pan angle, loosen pan locking knob by turning counterclockwise. Turn tilt/pan handle right or left as desired. Tighten knob to lock in place (Fig. 11).

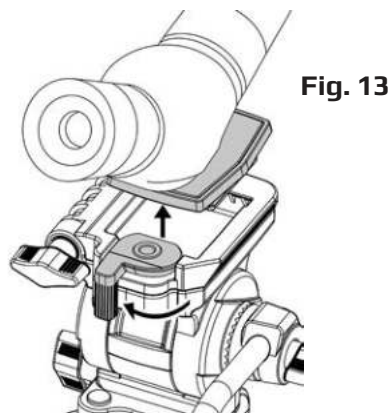


4. To switch between landscape and portrait mode, loosen horizontal tilt locking knob by turning counterclockwise. Tilt optic to desired angle. Tighten knob to lock in place (Fig. 12).



REMOVING OPTIC & STORING TRIPOD:

1. While holding optic securely, pull out plate locking lever and lift optic upward to remove from tripod. Unscrew quick release plate from optic and replace plate on tripod (Fig. 13).



2. To put tripod away, loosen tripod center column collar. Fold legs inward and unlock leg locks to retract. Tilt head back so handle is parallel to legs. Secure all locks and place in carrying bag (Fig. 14).

