

## Sky Chaser

### 70mm Refractor Telescope

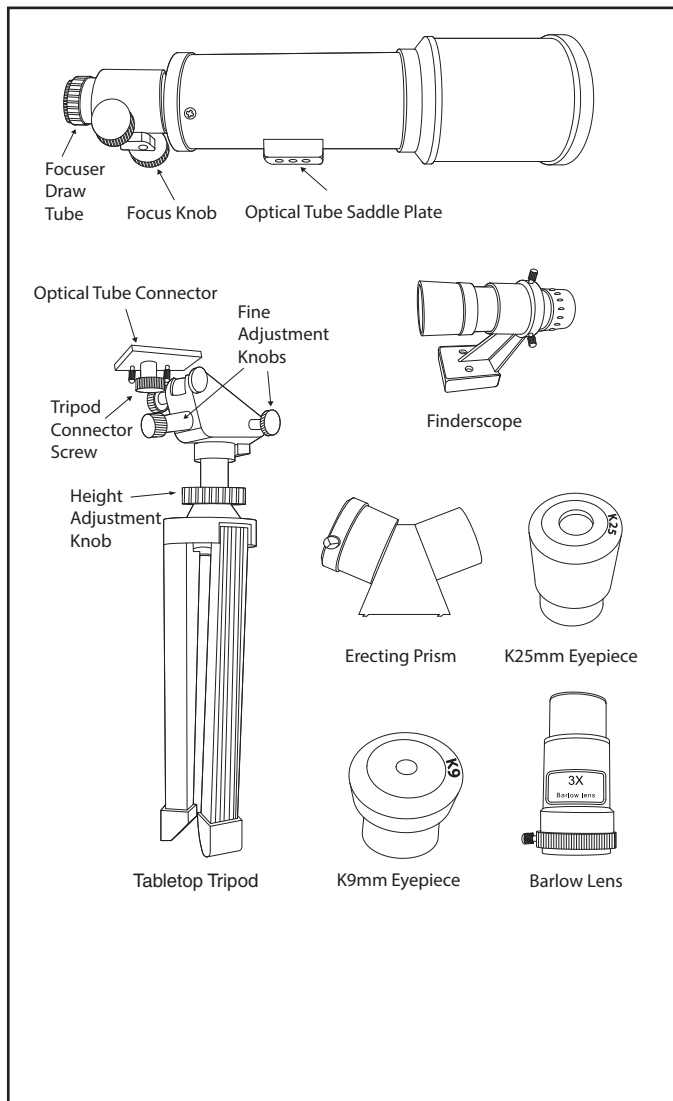
Congratulations on selecting your new Refractor Telescope! In order to achieve optimum performance, please follow instructions for proper use and care.

#### PRODUCT SPECIFICATION

Magnification:	Up to 133.5x
Eyepieces:	K25mm (16x) and K9mm (44.5x) Kellner Eyepieces
Aperture:	70mm
Focal Length:	400mm
Finderscope:	8 x 21mm
Weight:	1.16 lbs
Dimensions:	14.7" x 16.7" x 22.3"
Accessories:	3x Barlow Lens, Erecting Prism, Tabletop Tripod and Case

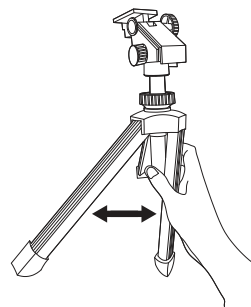


#### SKY CHASER OPTICAL TUBE ASSEMBLY

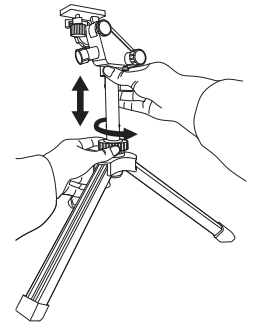


#### SETTING UP TRIPOD & ATTACHING OPTICAL TUBE

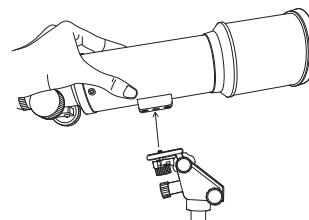
1. Separate tripod legs and place on a flat surface.



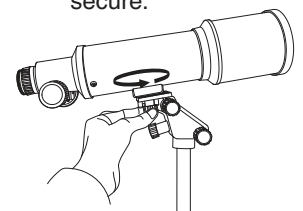
2. Loosen Height Adjustment Knob on tripod and raise Optical Tube Connector. Tighten Height Adjustment Knob to secure.



3. Align and attach the Optical Tube Saddle Plate with Tripod Connector Screw.

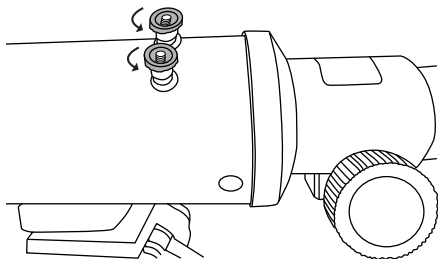


4. Tighten screw to secure.

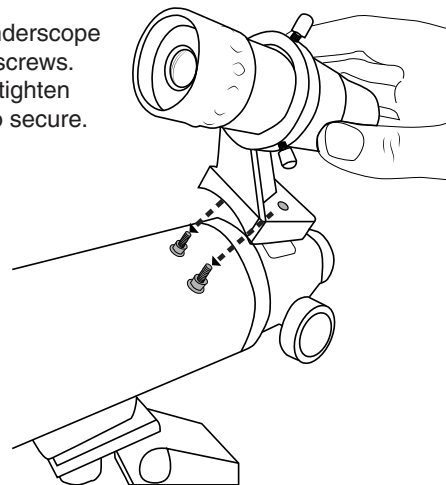


## ATTACHING FINDERSCOPE

1. Remove Finderscope plastic mounting nuts from mounting screws on Optical Tube.

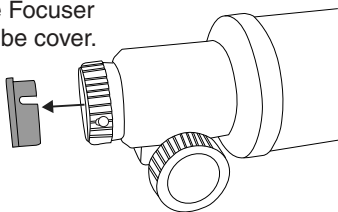


2. Mount the Finderscope onto the two screws. Replace and tighten plastic nuts to secure.



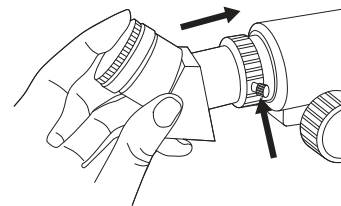
## ATTACHING ERECTING PRISM

1. Remove Focuser Draw Tube cover.



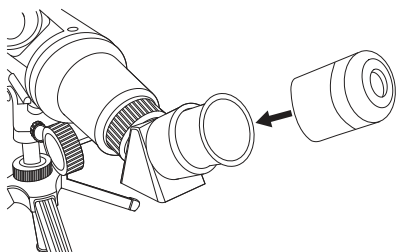
2. Loosen Thumbscrew and place Erecting Prism (orients image to an upright view) into Focuser Draw Tube. Tighten Thumbscrew on Focuser Draw Tube to secure.

**Note:** Erecting Prism must be used or you will not be able to focus.

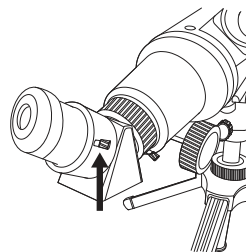


## ATTACHING EYEPIECE

1. Remove cover from Erecting Prism and insert eyepiece. Start with lower power K25 so finding objects is easier.



2. Tighten Thumbscrew on Erecting Prism to secure in place.

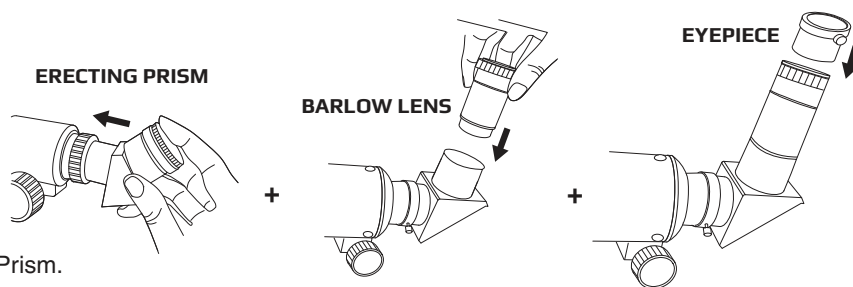


## ATTACHING BARLOW LENS

To increase magnification, the Barlow Lens may be inserted into the Erecting Prism before either of the eyepieces. An eyepiece would then be inserted into the Barlow Lens.

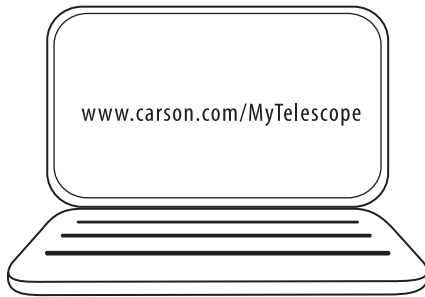
**Important:** First bring object into focus by using just the eyepiece and the Erecting Prism. Once you have found and focused on the object, then insert the Barlow Lens before the eyepiece and view again to get that extra close image.

**Note:** Barlow Lens will not work without Erecting Prism.



## HOW TO USE AND ALIGN TELESCOPE

Please visit [www.carson.com/mytelescope](http://www.carson.com/mytelescope) for step by step details on how to use and align telescope



## WARNINGS

- Never use this telescope (or its viewfinder) to look directly at or near the sun. Viewing the sun can cause instant and permanent eye damage.
- Do not point the telescope at the sun even when you are not looking through it. This will cause internal damage to the telescope.
- Handle this telescope with care. Rough handling may knock the internal optical components out of alignment.
- Do not leave telescope unattended at any time. Untrained adults or children may not be familiar with the correct operating procedures.

## CLEANING AND CARE

Cleaning must be done carefully to avoid scratching the lenses and permanently damaging your telescope.

- Do not attempt to take apart your telescope to clean it.
- If dust has built up on the optics, use a soft lens brush or pressurized air to gently remove it.
- If dew collects on the optics, remove all accessories and place the telescope in a dry, dust free environment and point the telescope downward. This should help eliminate the moisture.
- Avoid touching the surface of the mirror.
- Always replace lens caps when not in use and store telescope in case.

### Customer Service:

If you experience any difficulties, please contact us and we will be happy to help you.



✉ [info@carson.com](mailto:info@carson.com)



✉ [uksupport@carson.com](mailto:uksupport@carson.com)



✉ [eusupport@carson.com](mailto:eusupport@carson.com)

For warranty information, visit [www.carson.com/warrant](http://www.carson.com/warrant)

[www.carson.com](http://www.carson.com)