

CARSON®

Red Planet™

Refractor Telescope with Equatorial Mount

Congratulations on selecting your new telescope! In order to achieve optimum performance, please follow instructions for proper use and care.



RP-400

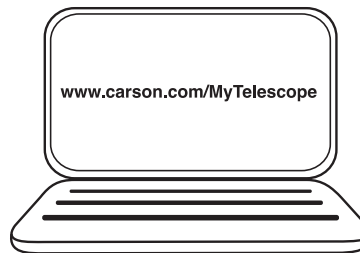
PRODUCT SPECIFICATION:

Aperture:	90mm (3.5")	Focal Length / Ratio:	1000mm, f/11.1
Optical Design:	Refractor	Erecting Diagonal:	Orients to Upright View like a Spotting Scope
Mount Type:	Equatorial (Tripod included)	Finderscope:	Erecting 6x30mm
Eyepieces:	K20mm (50x), K9mm (111x), 1.25" Size	Lens Coatings:	Fully Coated

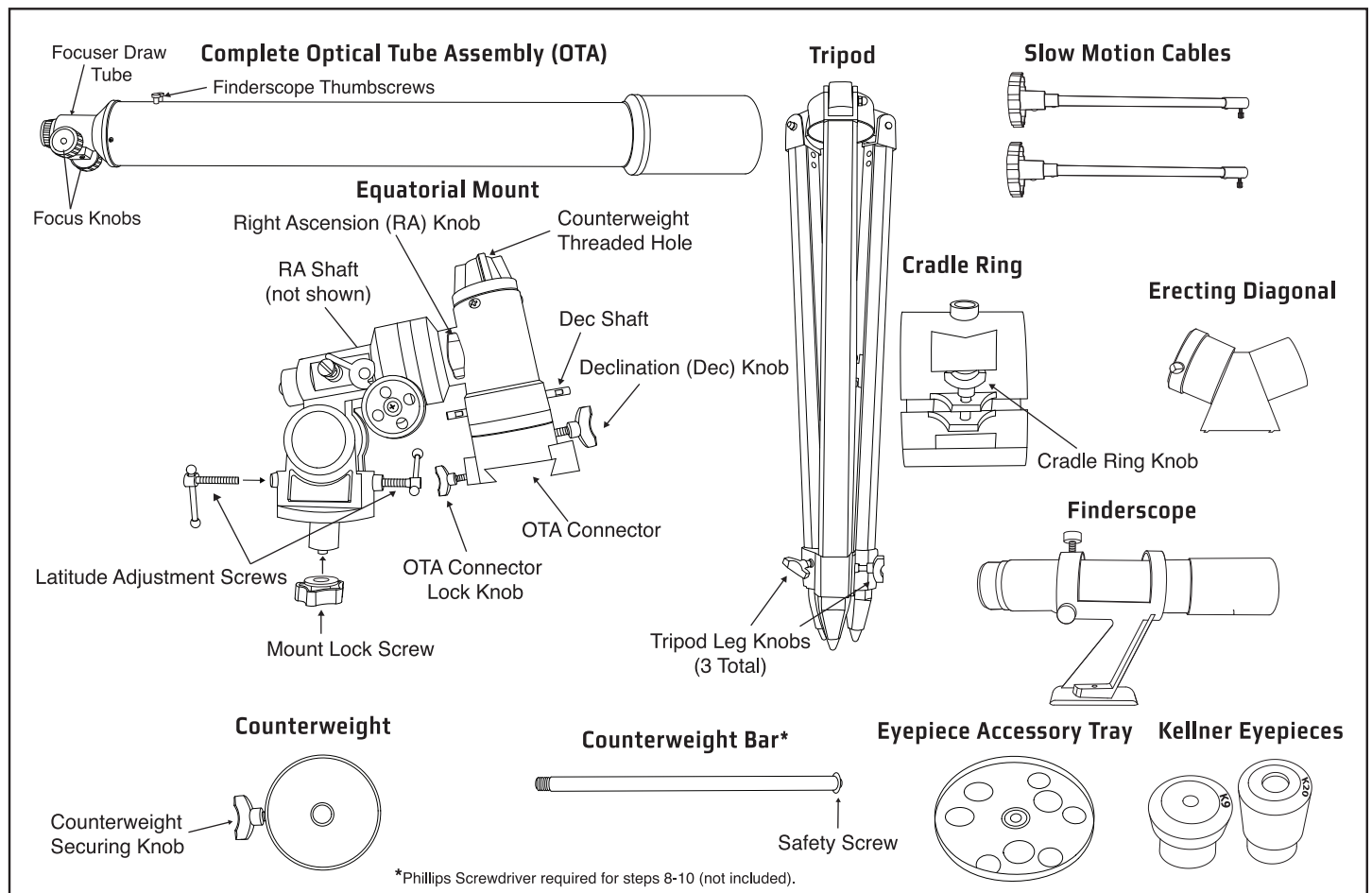
▶ VIDEO TUTORIAL

For details on how to use and align your telescope, please visit:

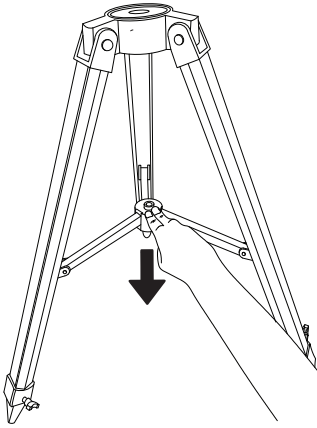
www.carson.com/MyTelescope



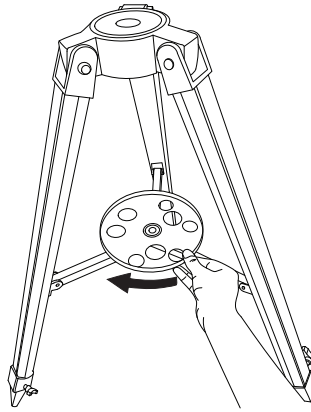
COMPLETE OPTICAL TUBE ASSEMBLY (OTA)



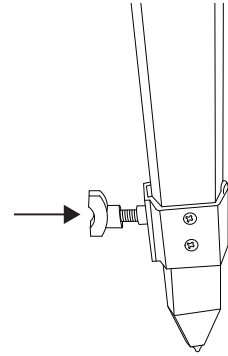
ASSEMBLING TELESCOPE



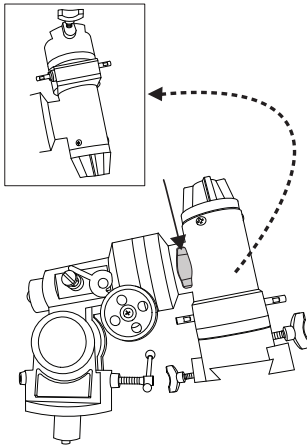
1. Extend **Tripod** legs to widest position. Gently push down tripod braces until legs are locked in place.



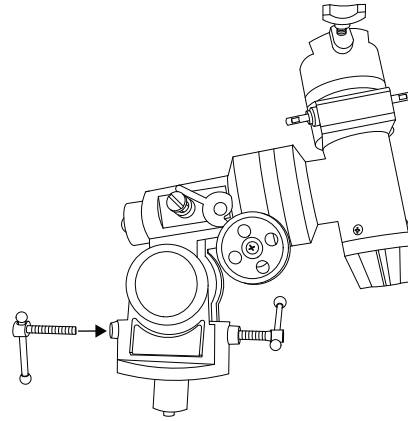
2. Screw **Eyepiece Accessory Tray** (screw attached to bottom of tray) into threaded hole on tripod braces. Twist to tighten.



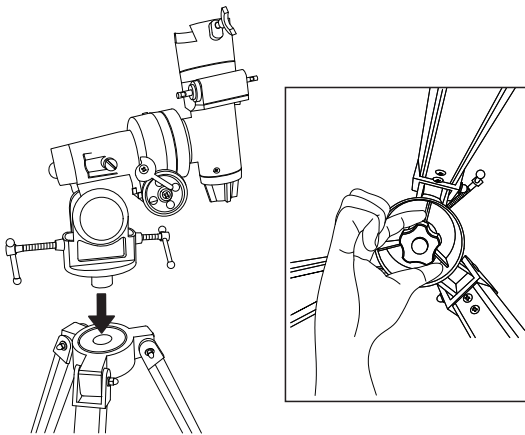
3. Loosen each **Tripod Leg Knob**. Pull legs to desired height, then tighten knobs.



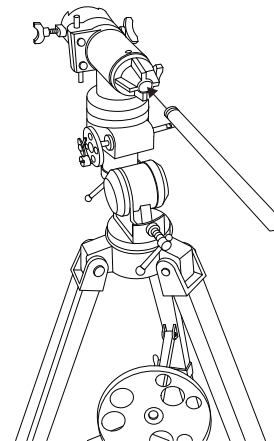
4. Loosen the **Right Ascension Knob** on **Equatorial Mount** to flip mount upright. Tighten **Knob** to secure.



5. Screw in **Latitude Adjustment Screw**.

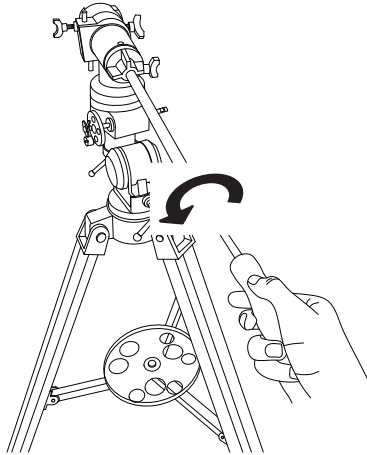


6. Attach **Equatorial Mount** to **Tripod**. Screw the **Mount Lock Screw** in from underneath the **Tripod**.

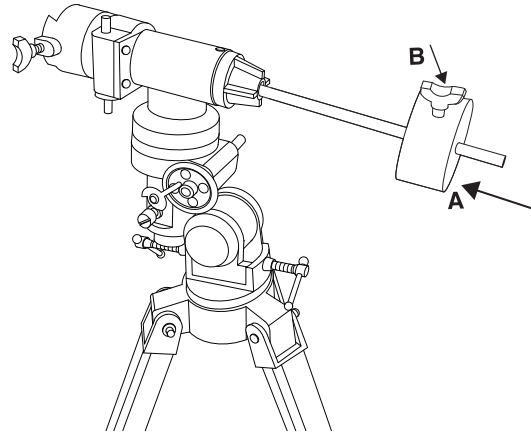


7. Screw **Counterweight Bar** into the **Counterweight Threaded Hole** on **Equatorial Mount**.

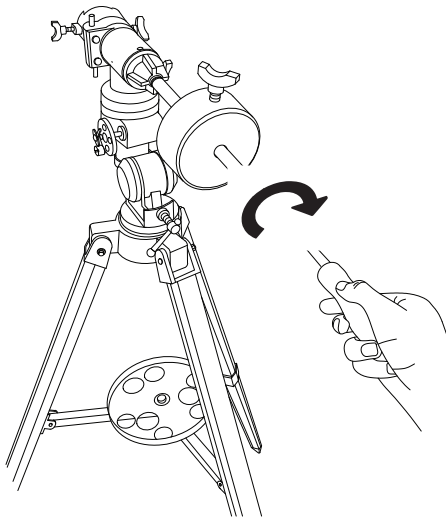
ASSEMBLING TELESCOPE CONTINUED



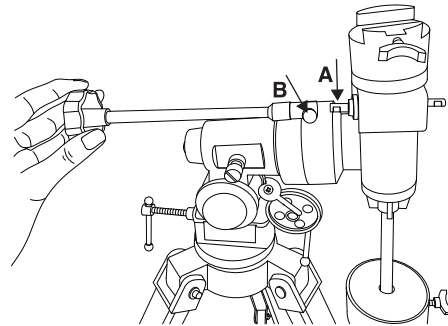
8. Use a Phillips Screwdriver to remove the **Safety Screw** and **Washer** on the **Counterweight Bar**.



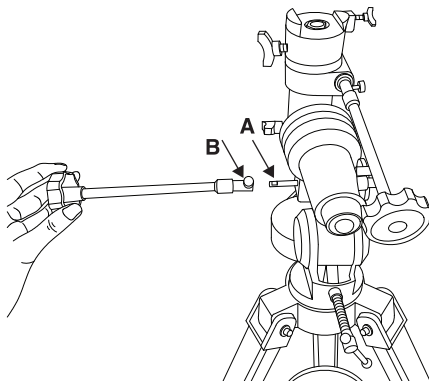
9. Slide the **Counterweight (A)** a quarter of the way up to **Counterweight Bar**. Tighten **Counterweight Securing Knob (B)** securely. See video tutorial for proper balancing at www.carson.com/mytelescope
Warning: If counterweight is not secured (fully tightened with counterweight knob and at balance point), the telescope can become unstable and tip over.



10. Replace **Safety Screw** and **Washer**. Tighten with Phillips Screwdriver.

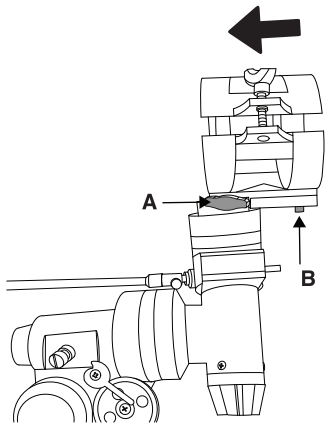


11. Remove rubber cap on **Dec Shaft (A)**. Loosen thumbscrew (**B**) on **Slow Motion Cable** and slide onto **Dec Shaft**. Tighten thumbscrew (**B**) to flat notch on Dec Shaft.
Note: Cable can be placed on either side of mount.

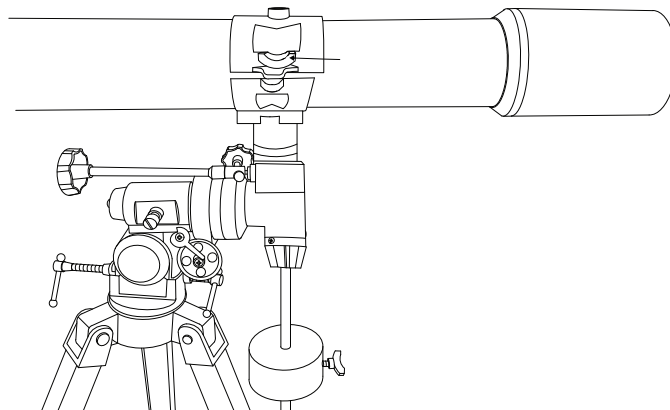


12. Remove rubber cap on **RA Shaft (A)**. Loosen thumbscrew (**B**) on **Slow Motion Cable** and slide onto **RA Shaft**. Tighten thumbscrew (**B**) to flat notch on RA shaft.

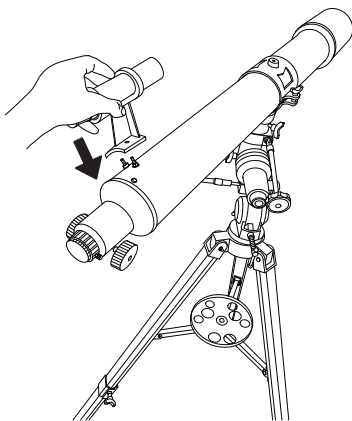
ASSEMBLING TELESCOPE CONTINUED



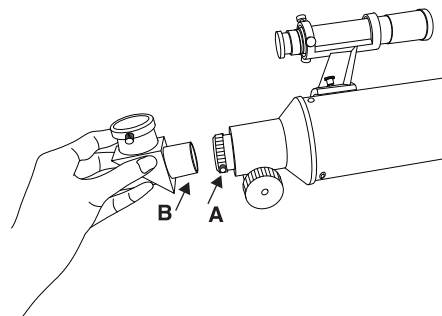
13. Loosen **OTA Connector Lock Knob (A)**. Slide **Cradle Ring** into **OTA Connector** on Mount. Circle notch (**B**) must be flush to equatorial mount to keep cradle ring level. Tighten OTA Connector Lock Knob (**A**) to secure Cradle Ring in place.



14. Loosen **Cradle Ring Knob** to open **Cradle Ring**. Cradle Ring should be in the center of OTA. Close the **Cradle Ring** and tighten with **Cradle Ring Knob**. For proper balancing, the Counterweight and back of **OTA** should be on same side as tripod. See video tutorial for proper balancing at www.carson.com/mytelescope

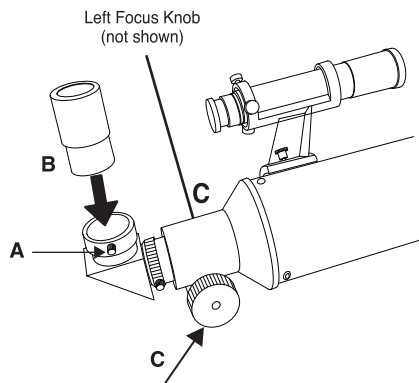


15. To attach **Finderscope**, remove **Thumbscrews** on OTA and place Finderscope onto mounting screws. Reattach thumbscrews and tighten to secure.

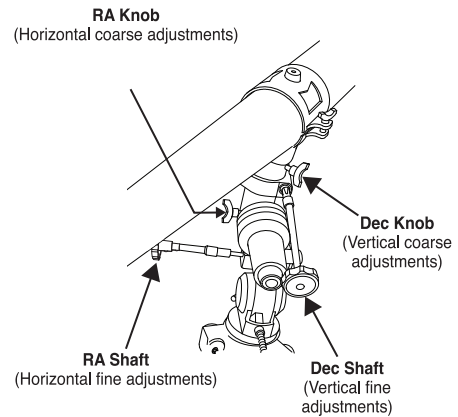


16. Loosen thumb screw (**A**) on **Focuser Draw Tube**. After removing dust covers from **Erecting Diagonal (B)**, slide into draw tube and tighten thumb screw (**A**) to secure.

ASSEMBLING TELESCOPE CONTINUED



17. Loosen thumbscrew on **Erecting Diagonal (A)**, and slide **Eyepiece (B)** into Erecting Diagonal. Tighten thumbscrew **(A)** to secure. Finding targets will be easier if you start with K20 eyepiece. Adjust **R/L Focus Knobs (C)** on OTA until image is clear.



18. To position Optical Tube to desired angle, adjust **RA/Dec Knobs**. Use **RA/Dec Shafts** to fine-tune OTA if necessary.

Warnings:

- Never use telescope to look directly at or near the sun. Viewing the sun can cause irreversible eye damage.
- Do not point the telescope at the sun even when you are not looking through it. This can cause internal damage to the telescope.
- Do not leave telescope unattended at any time. Untrained adults or children may not be familiar with the correct operating procedures.
- To maintain internal optical alignment, handle telescope with care.

Customer service: If you experience any difficulties, please contact us and we will be happy to help you.



✉ info@carson.com



✉ uksupport@carson.com



✉ eusupport@carson.com

For warranty information, visit www.carson.com/warranty