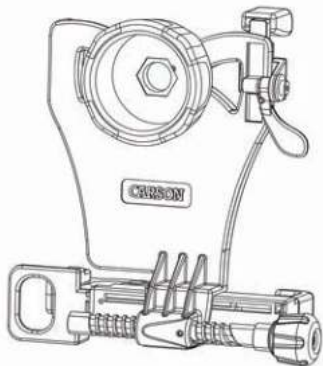


CARSON[®]

Smartphone Telescope Adapter

Included with:

- RP-100SP Telescope
- RP-200SP Telescope
- RP-300SP Telescope
- RP-400SP Telescope



Instructions for Use

↓ PDF / ▶ VIDEO : www.carson.com/telescopic

English / Français / Español / Deutsch / 日本語

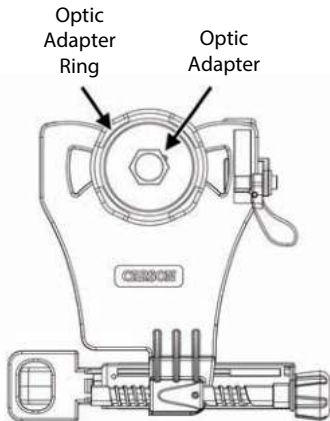
HookUpz[™]

Table of Contents

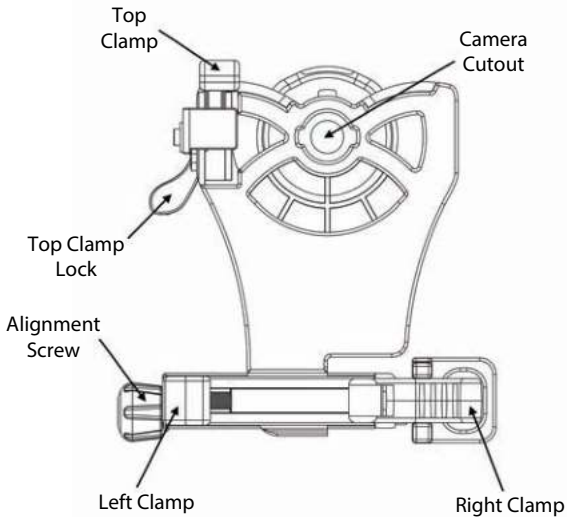
Optic Side Diagram.....	2
Phone Side Diagram.....	3
Inserting Phone.....	4-5
Align & Lock.....	6-7
Attaching to Optic.....	8-9
Frequently Asked Questions.....	10-13
Tips and Tricks.....	14
Storage/Cleaning Information....	15
Customer Service.....	15

Carson Optical
2070 5th Avenue
Ronkonkoma, NY 11779

www.carson.com info@carson.com
Tel: 631-963-5000 Fax: 631-427-6749



Optic Side



Phone Side

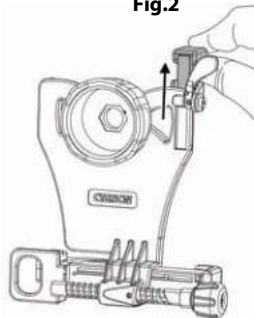
Inserting Phone

Fig.1



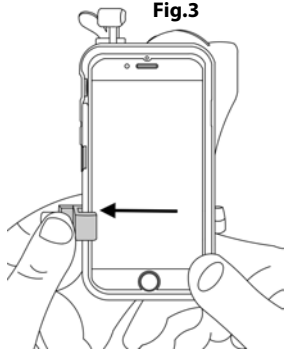
Rotate to unlock top clamp.

Fig.2



Slide top clamp into uppermost position.

Fig.3



Insert phone into left clamp.

Inserting Phone (cont.)

Fig.4



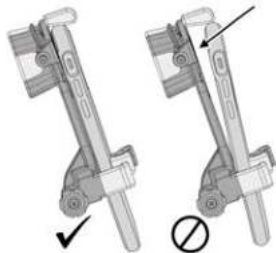
Squeeze and pull right clamp past edge of phone.

Fig.5



Release right clamp to secure phone.

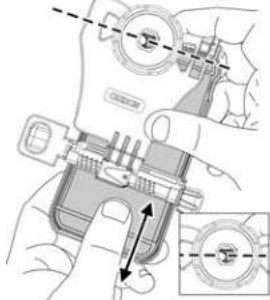
Fig.6



Ensure phone is flat as possible to adapter.

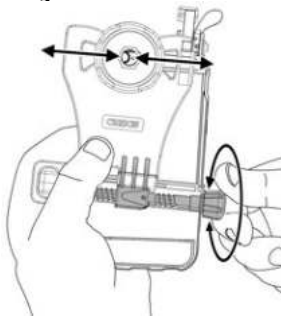
Align & Lock

Fig.7



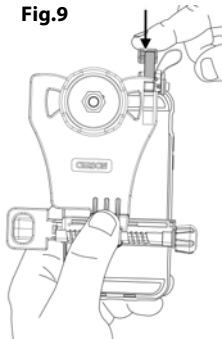
Slide phone vertically until camera is roughly aligned with camera cutout.

Fig.8



Turn alignment screw until camera is centered in camera cutout.

Fig.9



Slide top clamp down against phone edge.

MULTIPLE-LENS CAMERA PHONE:

If there is more than one rear-facing camera, use the primary one. Typically, the primary is a 1x wide-angle color camera, and the other camera(s) are secondary.

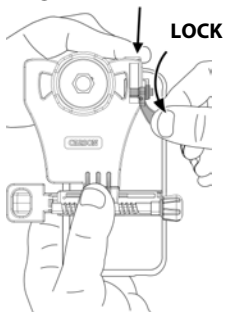
For Apple dual camera phones, the primary camera is the one closest to the corner. Use photo or video mode only.

For Android, the primary camera can be determined by which does not show an image in your app while blocking the individual camera.

For the latest instructions on multiple camera phones, please visit www.carson.com/multicam.

Align & Lock (cont.)

Fig.10



While holding top clamp tight to phone, rotate to lock.

Fig.11

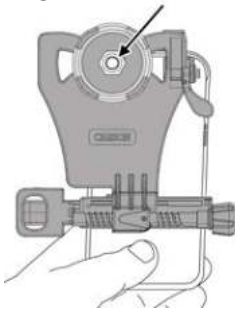
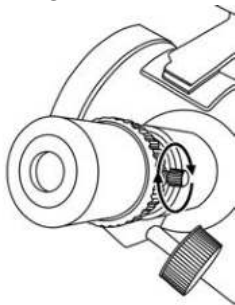


Figure 11 shows a properly aligned camera. If needed, use alignment screw and top clamp to make further adjustments.

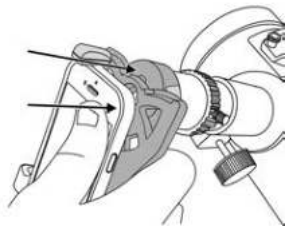
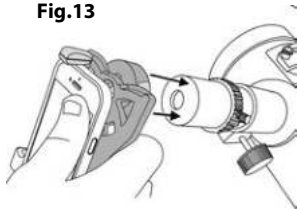
Fig.12



To prevent eyepiece from rotating, tighten set screw to lock in place.

Attaching to Optic

Fig.13



Align optic adapter over eyepiece and press down firmly. Be careful not to move your camera out of alignment.

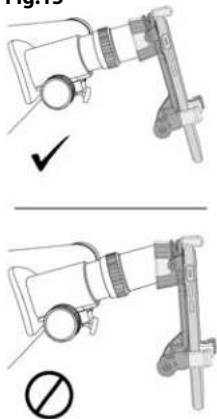
Fig.14



Phone can be positioned in either portrait or landscape mode.

Attaching to Optic (cont.)

Fig.15



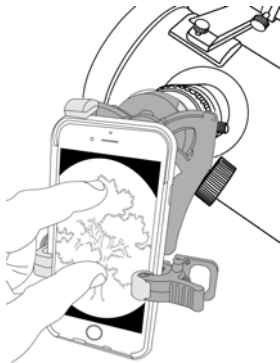
Ensure that optic adapter is flush to the eyepiece of your telescope.

Fig.16



Turn on camera. If image is not centered, repeat alignment steps.

Fig.17



To maximize your image, pinch to enlarge image. For best results, use in video mode.

TO REMOVE PHONE FROM ADAPTER:

To save your alignment, make no further adjustments to the top clamp and alignment knob. Simply remove phone using right clamp only as shown in Fig. 4.

USING ADAPTER AGAIN:

The alignment of your phone to the adapter should be saved from the initial setup, so many steps can be skipped (FIG 1-2, 7-10) and only a quick fine adjustment of the alignment may be needed.

Frequently Asked Questions:

Q1: Why does the top clamp touch the round corner of my phone, instead of the top flat edge?

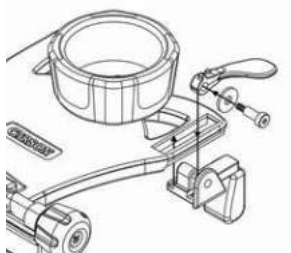
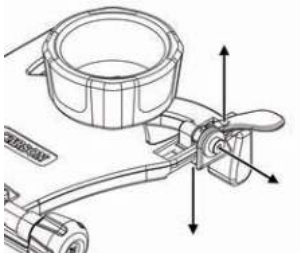
A1: This is normal for some models of phones. Just fit as close to rounded edge as possible and lock top clamp as normal.

Q2: Why am I getting reflections and/or glare in my image?

A2: This may occur with indoor lighting. Please avoid overhead lighting or change the angle of the lighting relative to phone. Also, please use without flash to avoid reflections and/or glare in photos. If there's glare on your phone screen that makes image hard to view, increase brightness setting on phone and view from a position with less overhead light.

Q3: I can't align my phone vertically with the top clamp; it won't fit. What should I do?

A3: If you go through the alignment process and there is no way to achieve vertical alignment, because it's restricted by the top clamp, try removing your phone case. Alternatively, you can remove top clamp assembly using screw as shown below in left figure. For this configuration, you will not be able to save your vertical alignment between uses. Your phone will have to be adjusted for vertical positioning each time it's placed within the adapter. We recommend you save these four parts for use with other phones, and you can reassemble the top clamp as shown below in right figure.



Q4: How do I know which phones will work with the adapter?

A4: Please see the smartphone sizing guide below.

SMARTPHONE SIZING GUIDE

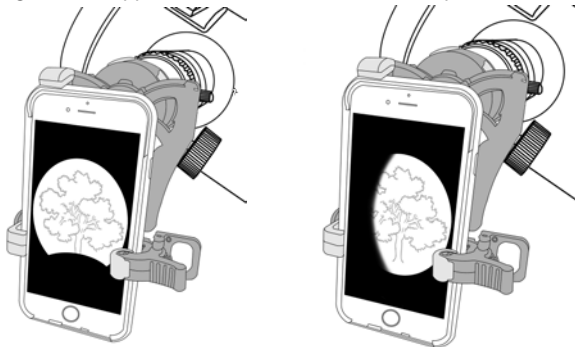


If your phone (in its case) fits in "portrait" orientation between the 2 arrows, it will fit the smartphone telescope adapter.

Q5: Why does my phone rotate on the eyepiece when used in landscape (horizontal) mode?

A5: If the eyepiece can rotate on your telescope, lock it in place by tightening the set screw (Fig 12).

Q6: My image doesn't appear to be centered or is not a complete round image; what's wrong?



A6: The phone alignment needs to be adjusted in vertical direction using top clamp (FIG 7) and in horizontal direction by using alignment screw (FIG 8). Check that phone is flat on adapter (FIG 6), and adapter is flush with optic (FIG 15).

Q7: My other phone camera or flash is covered by adapter. Why is that?

A7: First, we recommend using the device with only the primary rear camera. If problems persist, please contact customer support. Second, the flash can be covered, and is not needed for use with optic. We recommend flash setting is turned off at all times when using adapter.

Tips & Tricks:

PHOTOGRAPHY

- Tap object of interest on your phone screen to autofocus.
- For videos, tap and hold object of interest on phone screen for a second to lock focus. Tap again to release the focus lock.
- In low light conditions, turn your phone screen brightness to its lowest level.
- For long sessions, try using battery cases or phone chargers to prevent your battery from draining.

APPS

- Share photos and videos through various apps (e.g. FaceTime, Messages, Facebook, Instagram, etc.).
- Apps that allow you to set exposure and focus manually can expand the potential of the adapter. This is especially helpful for telescopes to set longer exposure times to get the best images of sky objects.

STABILIZATION

- Place telescope on a stable surface to prevent external vibrations from shaking image.
- To prevent shaking while capturing photos, attach headphones to smartphone and use the volume buttons to activate shutter.
- Many phones have image stabilization features. Check your phone and turn on this feature if available. If not, there are camera apps with stabilization features.

Storage/Cleaning Information:

- For longest life of springs/plastic, store in dry area at room temperature.
- Adapter should be cleaned with soft, damp cloth only. Do not use any chemicals or abrasives.

Customer Service:

We will be happy to help you with any problems you may experience with your HookUpz™ Smartphone Telescope Adapter. Email us at info@carson.com or call toll-free at 1-800-967-8427.

CARSON®

**Carson Optical
2070 5th Avenue
Ronkonkoma, NY 11779**

**www.carson.com info@carson.com
Tel: 631-963-5000 Fax: 631-427-6749**