

CARSON®

Red Planet™

Reflector Telescope with Equatorial Mount

Congratulations on selecting your new telescope! In order to achieve optimum performance, please follow instructions for proper use and care.



RP-300

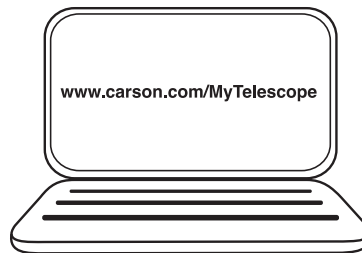
PRODUCT SPECIFICATION:

Aperture:	114mm (4.5")	Focal Length / Ratio:	900mm, f/7.9
Optical Design:	Reflector	Finderscope:	Erecting 6x30mm
Mount Type:	Equatorial (Tripod included)	Mirror Coatings:	Aluminum
Eyepieces:	K20mm (45x), K9mm (100x), 1.25" Size		

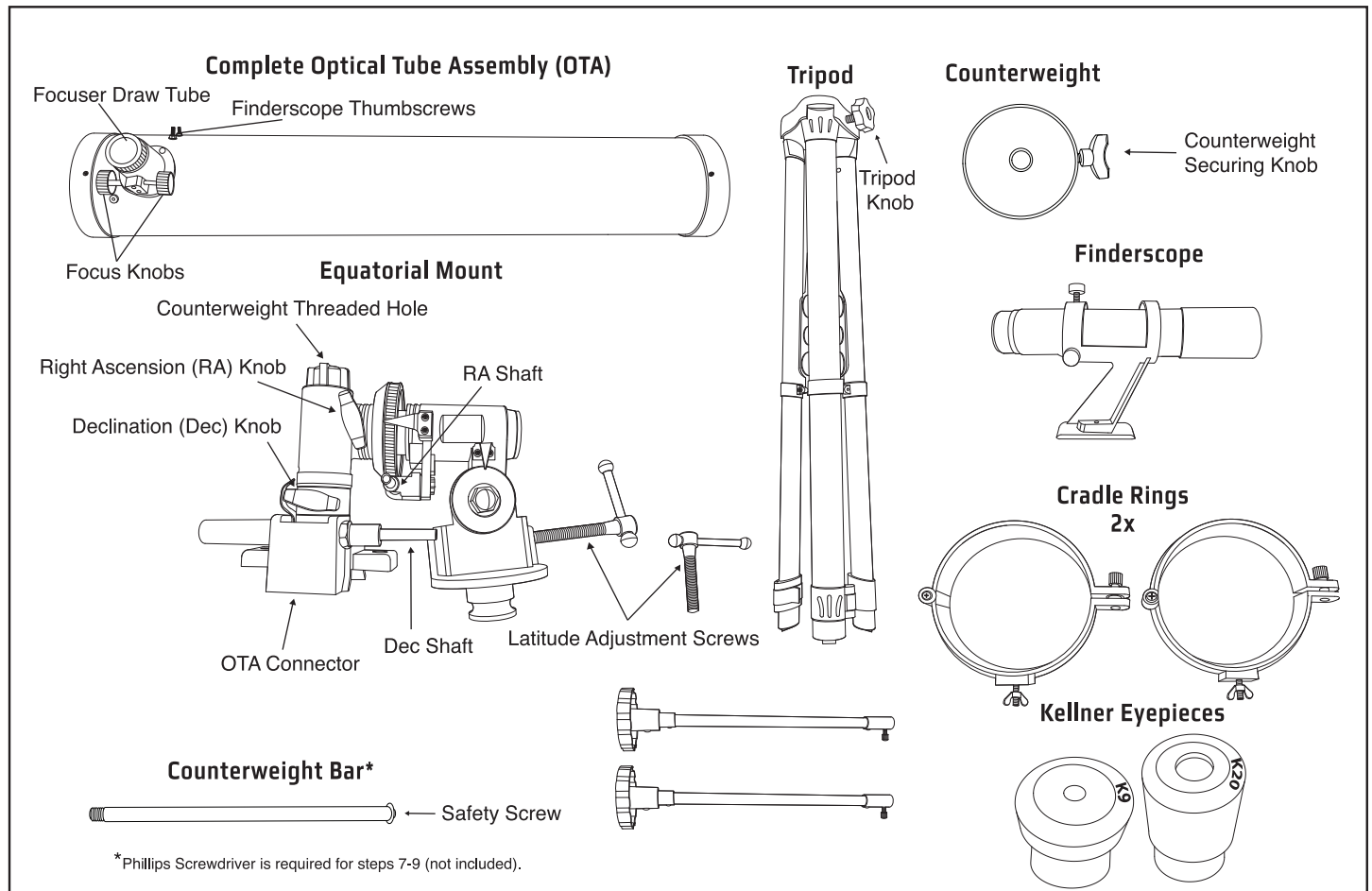
▶ VIDEO TUTORIAL

For details on how to use and align your telescope, please visit:

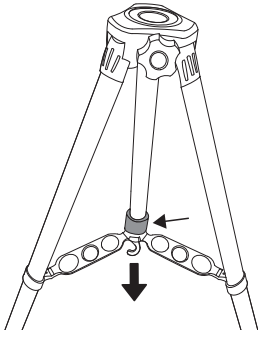
www.carson.com/MyTelescope



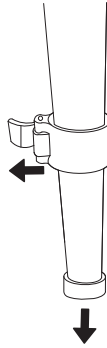
COMPLETE OPTICAL TUBE ASSEMBLY (OTA)



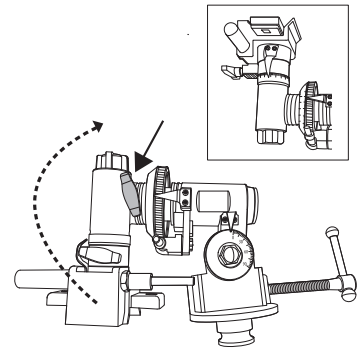
ASSEMBLING TELESCOPE



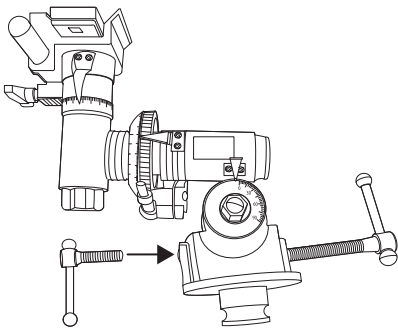
1. Extend **Tripod** legs to widest position. Gently push down tripod braces and tighten lock knob.



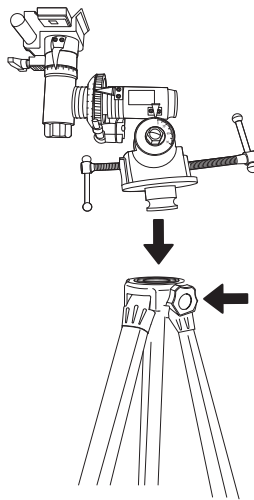
2. Open lock tabs on legs and pull legs down to desired height. Close lock tabs to secure.



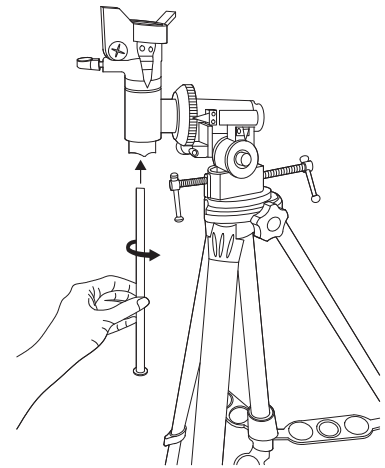
3. Loosen the **Right Ascension Knob** on **Equatorial Mount** to flip mount upright. Tighten **Knob** to secure.



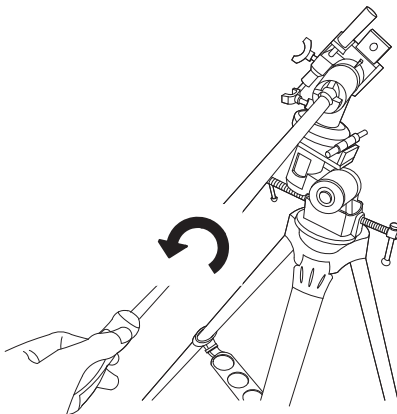
4. Screw in **Latitude Adjustment Screw**.



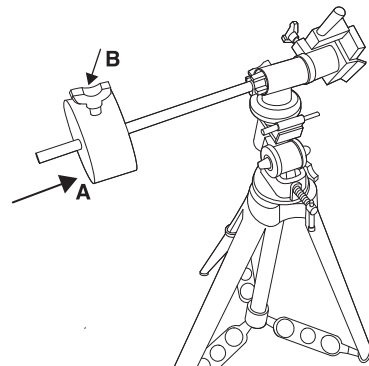
5. Loosen **Tripod Knob**. Attach **Equatorial Mount** to **Tripod** and tighten with **Tripod Knob**.



6. Screw the **Counterweight Bar** into **Counterweight Threaded Hole** on **Equatorial Mount**.

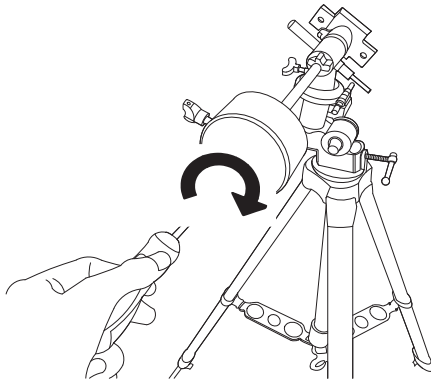


7. Use a Phillips Screwdriver to remove the **Safety Screw** and **Washer** on the **Counterweight Bar**.

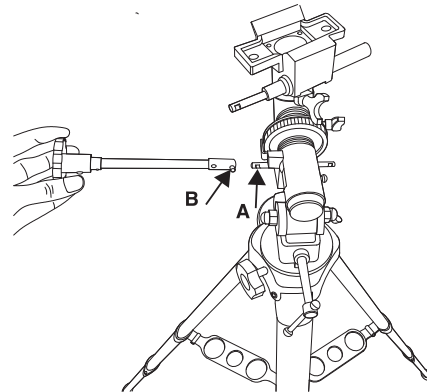


8. Slide **Counterweight (A)** a quarter of the way up **Counterweight Bar**. Tighten **Counterweight Knob (B)** securely. See video tutorial for proper balancing at carson.com/mytelescope
Warning: If counterweight is not secured (fully tightened with counterweight knob at balance point), the telescope can become unstable and tip over.

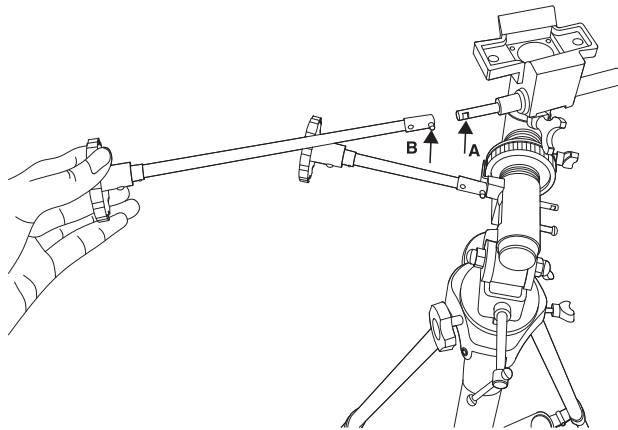
ASSEMBLING TELESCOPE CONTINUED



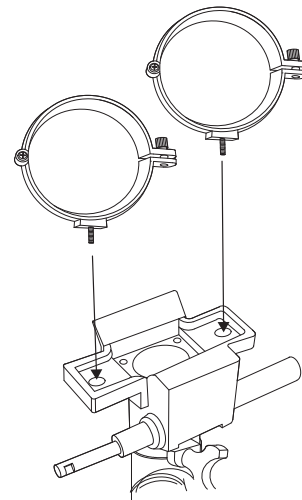
9. Replace **Safety Screw** and **Washer**.
Tighten with Phillips Screwdriver.



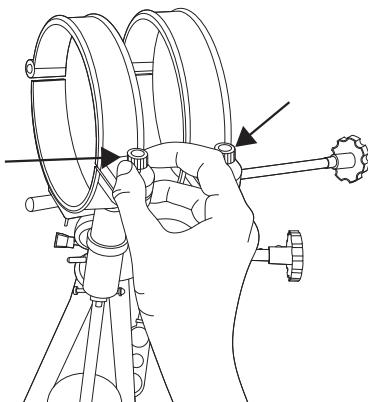
10. Remove rubber cap on **RA Shaft (A)**. Loosen thumbscrew **(B)** on **Slow Motion Cable** and slide onto **RA Shaft**. Tighten thumbscrew **(B)** to flat notch on shaft.
Note: Cable can be placed on either side of mount.



11. Remove rubber cap on **Dec Shaft (A)**. Loosen **thumbscrew (B)** on **Slow Motion Cable** and slide onto Dec Shaft. Tighten thumbscrew **(B)** to flat notch on shaft.

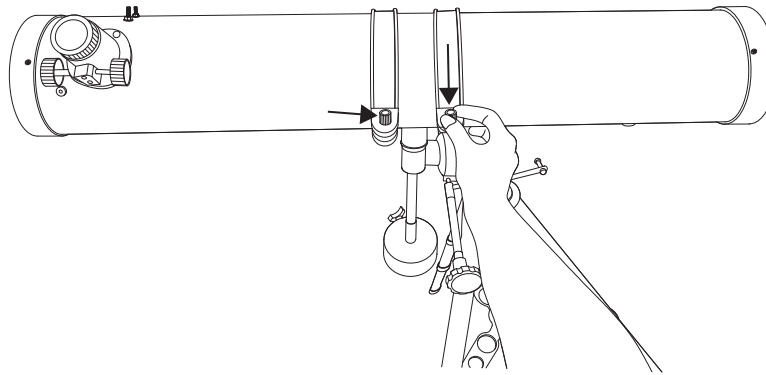


12. Remove wing nuts from **Cradle Rings**. Attach both Cradle Rings to **OTA Connector** on **Equatorial Mount**. Reattach and tighten with wing nuts.

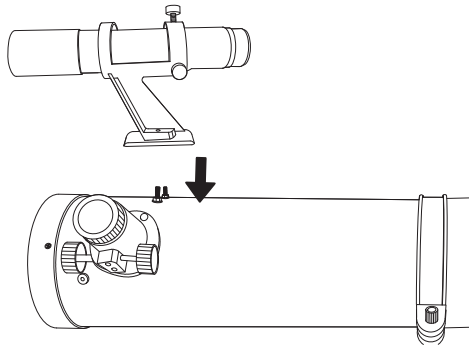


13. Loosen and remove thumbscrews on each **Cradle Ring**.

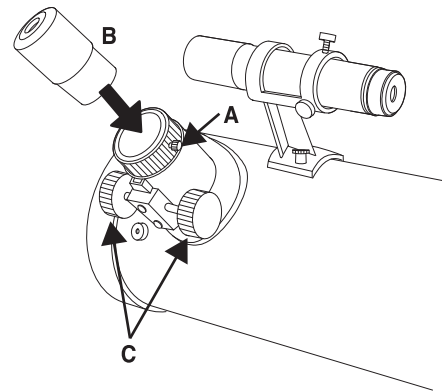
ASSEMBLING TELESCOPE CONTINUED



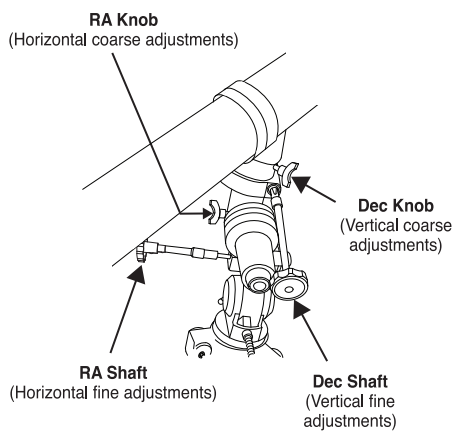
14. Open Cradle Rings and insert **OTA**. Cradle Rings should be in the center of the OTA. Close Rings and tighten thumbscrews to secure OTA with cradle rings. For proper balancing, the **Focuser Draw Tube** should be facing upwards and **Focuser Draw Tube and Counterweight** should both be on same side of tripod. See video tutorial for proper balancing at carson.com/mytelescope



15. To attach **Finderscope**, remove **Thumbscrews** on OTA and place Finderscope onto mounting screws. Reattach thumbscrews and tighten to secure.



16. Loosen thumbscrew on **Focuser Draw Tube (A)**. Slide **Eyepiece (B)** into Draw Tube and tighten thumbscrew **(A)**. Finding targets will be easier if you start with **K20 Eyepiece**. Adjust **Focus Knobs (C)** until image is clear.



17. To position Optical Tube to desired angle, adjust **RA/Dec Knobs**. Use **RA/Dec Shafts** to fine-tune OTA if necessary.

Warnings:

- Never use telescope to look directly at or near the sun. Viewing the sun can cause irreversible eye damage.
- Do not point the telescope at the sun even when you are not looking through it. This can cause internal damage to the telescope.
- Do not leave telescope unattended at any time. Untrained adults or children may not be familiar with the correct operating procedures.
- To maintain internal optical alignment, handle telescope with care.

Customer service: If you experience any difficulties, please contact us and we will be happy to help you.



✉ info@carson.com



✉ uksupport@carson.com



✉ eusupport@carson.com

For warranty information, visit www.carson.com/warranty