

CARSON®

Red Planet™

Reflector Telescope with Alt-Az Mount

Congratulations on selecting your new telescope! In order to achieve optimum performance, please follow instructions for proper use and care.



RP-100

PRODUCT SPECIFICATION:

Aperture:	76mm (3")	Focal Length / Ratio:	700mm, f/9.2
Optical Design:	Reflector	Finderscope:	Erecting 10x30mm
Mount Type:	Alt-Az (Tripod included)	Mirror Coatings:	Aluminum
Eyepieces:	K20mm (35x), K9mm (78x), Size 1.25"		

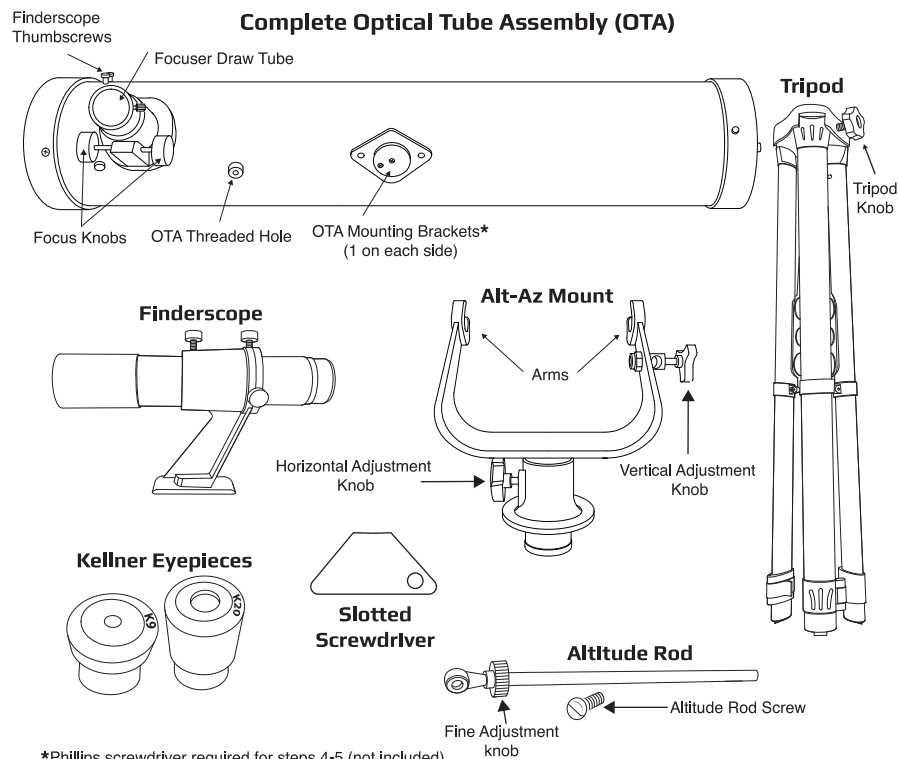
▶ VIDEO TUTORIAL

For details on how to use and align your telescope, please visit:

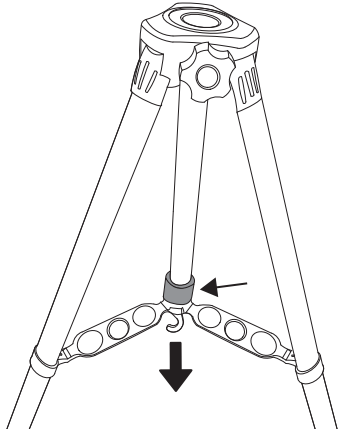
www.carson.com/MyTelescope



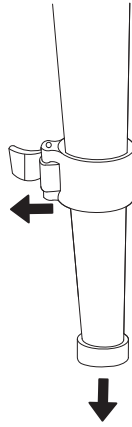
COMPLETE OPTICAL TUBE ASSEMBLY (OTA)



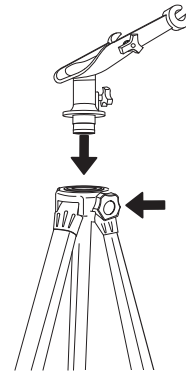
ASSEMBLING TELESCOPE



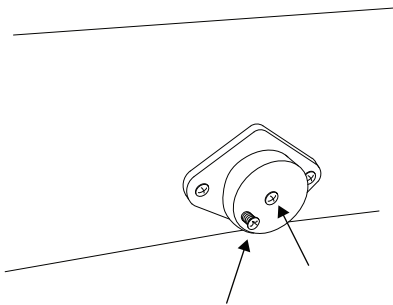
1. Extend **Tripod** legs to widest position. Gently push down tripod braces and tighten lock knob.



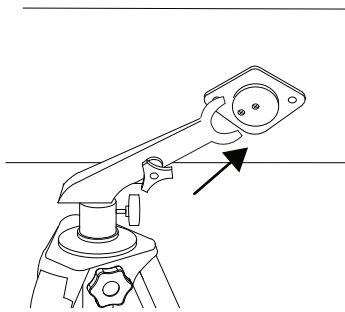
2. Open lock tabs on legs and pull legs down to desired height. Close lock tabs to secure.



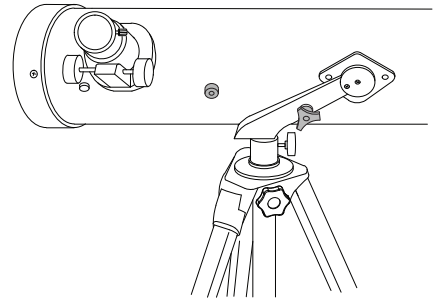
3. Loosen **Tripod Knob**. Attach **Alt-Az Mount** to **Tripod**. Tighten **Tripod Knob** to secure.



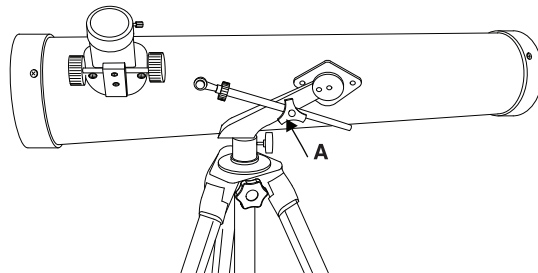
4. Using a Phillips Screwdriver, loosen both screws on both **OTA Mounting Brackets**.



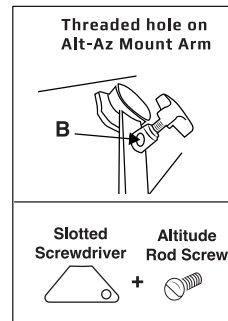
5. Slide **Alt-Az Arms** behind mounting brackets on each side of tube. Tighten screws to secure.



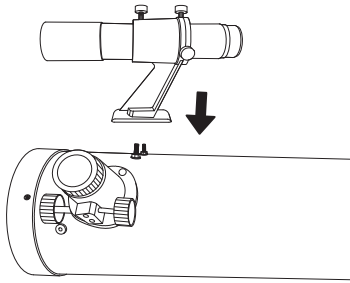
Note: **OTA Threaded Hole** and **Vertical Adjustment Knob** should be on same side of OTA.



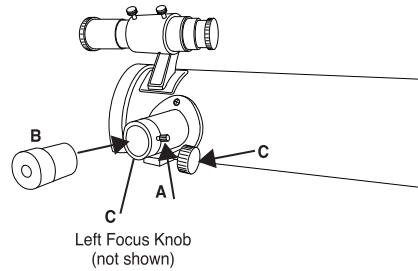
6. Loosen **Vertical Adjustment Knob (A)** to allow **Altitude Rod** to slide through and connect to **threaded hole** on **Alt-Az Mount Arm (B)**. Use the included **Slotted Screwdriver** to attach **Altitude Rod Screw** to the OTA Threaded Hole.



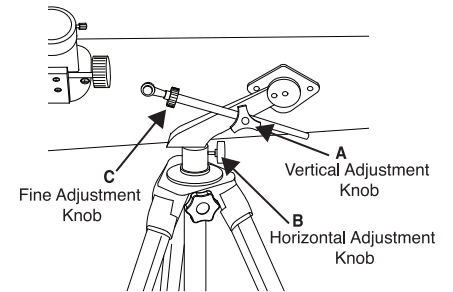
ASSEMBLING TELESCOPE CONTINUED



7. To attach **Finderscope**, remove **Thumbscrews** on OTA and place Finderscope onto mounting screws. Reattach thumbscrews and tighten to secure.



8. Loosen thumbscrew **(A)** on **Focuser Draw Tube**. Slide **Eyepiece (B)** into focuser draw tube and tighten thumbscrew **(A)** to secure. Finding targets will be easier if you start with **K20 Eyepiece**. Adjust **R/L Focus Knobs (C)** on OTA until image is clear.



9. To position Optical Tube to desired angle, adjust **Knobs (A/B)**. Use **Fine Adjustment Knob (C)** on the altitude rod to fine-tune vertically, if needed.

Warnings:

- Never use telescope to look directly at or near the sun. Viewing the sun can cause irreversible eye damage.
- Do not point the telescope at the sun even when you are not looking through it. This can cause internal damage to the telescope.
- Do not leave telescope unattended at any time. Untrained adults or children may not be familiar with the correct operating procedures.
- To maintain internal optical alignment, handle telescope with care.

Customer service: If you experience any difficulties, please contact us and we will be happy to help you.



✉ info@carson.com



✉ uksupport@carson.com



✉ eusupport@carson.com

For warranty information, visit www.carson.com/warranty