

CARSON®

Red Planet™

Refractor Telescope with Alt-Az Mount

RP-200



Congratulations on selecting your new telescope! In order to achieve optimum performance, please follow instructions for proper use and care.

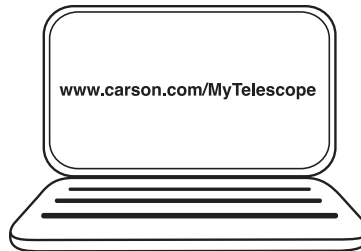
PRODUCT SPECIFICATION:

Aperture:	80mm (3.1")	Focal Length / Ratio:	500mm, f/6.3
Optical Design:	Refractor	Erecting Prism:	Orients to Upright View like Spotting Scope
Mount Type:	Alt-Az (Tripod included)	Finderscope:	8x21mm
Eyepieces:	K20mm (25x), K9mm (56x), 1.25" Size	Lens Coatings:	Fully Coated

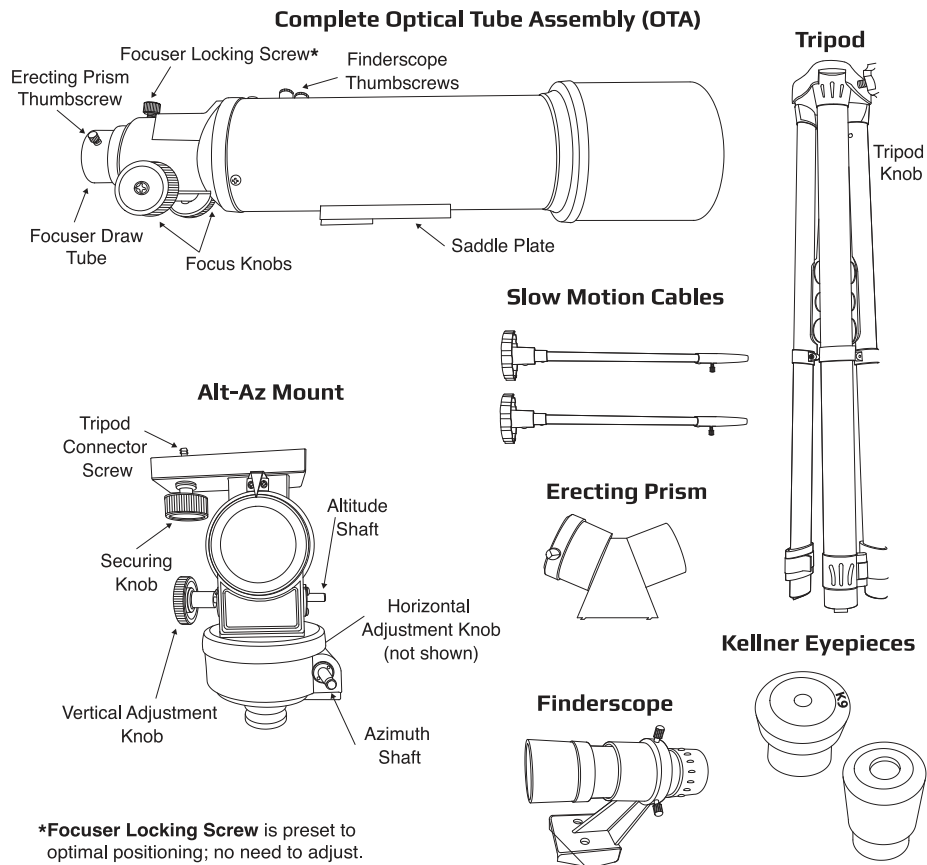
▶ VIDEO TUTORIAL

For details on how to use and align your telescope, please visit:

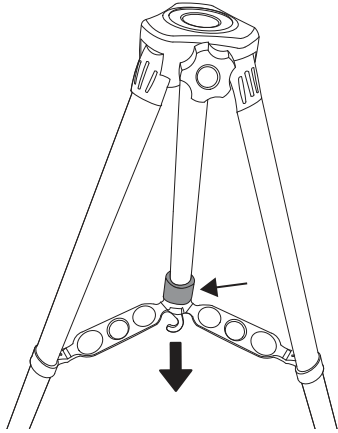
www.carson.com/MyTelescope



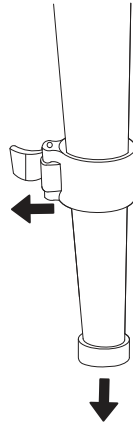
COMPLETE OPTICAL TUBE ASSEMBLY (OTA)



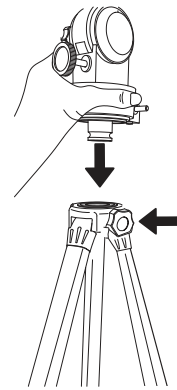
ASSEMBLING TELESCOPE



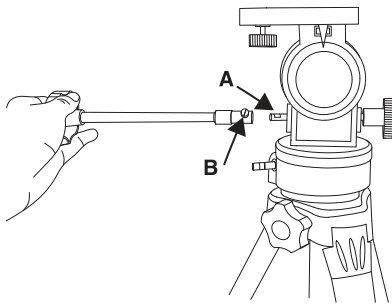
1. Extend **Tripod** legs to widest position. Gently push down tripod braces and tighten lock knob.



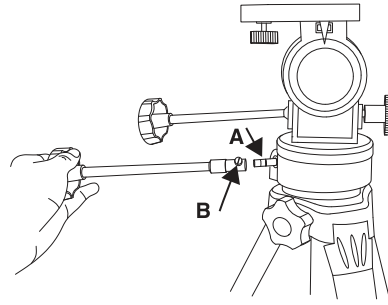
2. Open lock tabs on legs and pull legs down to desired height. Close lock tabs to secure.



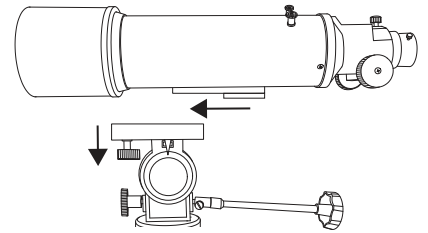
3. Loosen **Tripod Knob**. Attach **Alt-Az Mount** to **Tripod**. Tighten **Tripod Knob** to secure.



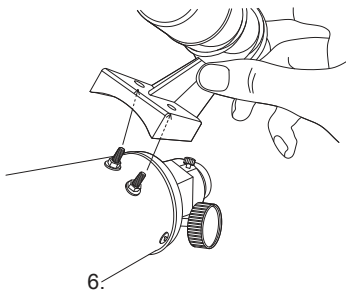
4. Remove rubber cap on **Altitude Shaft (A)**. Loosen thumbscrew **(B)** on **Slow Motion Cable** and slide onto Altitude Shaft. Tighten thumbscrew **(B)** to flat notch on shaft.



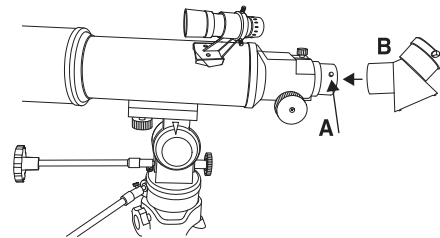
5. Remove rubber cap on **Azimuth Shaft (A)**. Loosen thumbscrew **(B)** on **Slow Motion Cable** and slide onto Azimuth Shaft. Tighten thumbscrew **(B)** to flat notch on shaft.



6. Pull down **securing knob** and continue to slide **OTA Saddle Plate** until it is flush with edge of mount.

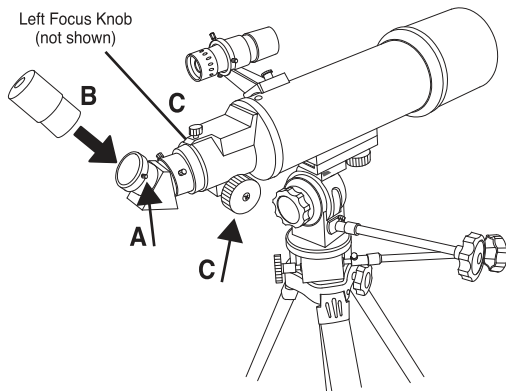


7. To attach **Finderscope**, remove **Thumbscrews** on OTA and place Finderscope onto mounting screws. Reattach thumbscrews and tighten to secure.

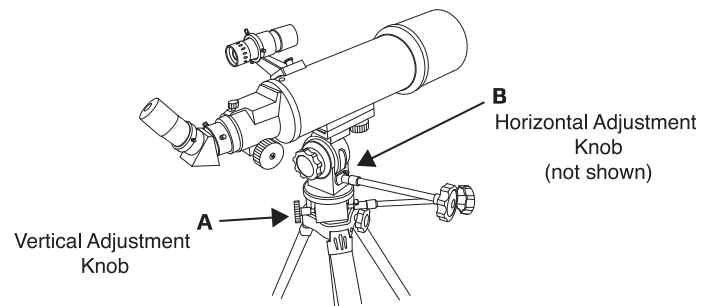


8. Loosen thumbscrew on **Focuser Draw Tube (A)**, remove dust covers and slide **Erecting Prism (B)** into draw tube. Tighten thumbscrew **(A)** to secure.

ASSEMBLING TELESCOPE CONTINUED



9. Loosen thumbscrew on **Erecting Prism (A)**. Slide **Eyepiece (B)** into Erecting Prism and tighten thumbscrew **(A)**. Finding targets will be easier if you start with **K20 Eyepiece**. Adjust **R/L Focus Knobs (C)** until image is clear.



10. To fine-tune Optical Tube to desired angle, adjust **Knobs (A/B)** as needed.

Warnings:

- Never use telescope to look directly at or near the sun. Viewing the sun can cause irreversible eye damage.
- Do not point the telescope at the sun even when you are not looking through it. This can cause internal damage to the telescope.
- Do not leave telescope unattended at any time. Untrained adults or children may not be familiar with the correct operating procedures.
- To maintain internal optical alignment, handle telescope with care.

Customer service: If you experience any difficulties, please contact us and we will be happy to help you.



✉ info@carson.com



✉ uksupport@carson.com



✉ eusupport@carson.com

For warranty information, visit www.carson.com/warranty