

6x18mm Compact Close-Focus Monocular

Congratulations on selecting your new monocular! In order to achieve optimum performance, please follow instructions for proper use and care.

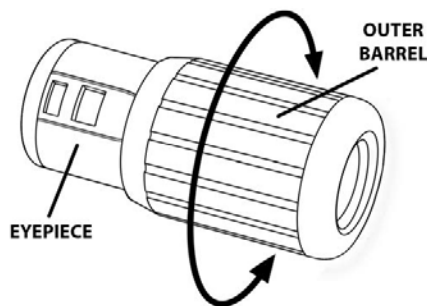


PRODUCT SPECIFICATION

Magnification:	6x	Eye Relief:	10mm
Prism Type:	K-9	Weight:	0.1lbs
Objective Lens Diameter:	18mm	Dimensions:	3.5" x 1.3" x 1.3"
Lens Coating:	Fully Coated	Accessories:	Soft pouch, carrying strap and lens cloth

USING MONOCULAR

To focus, twist outer barrel while holding the eyepiece steady until the object you are viewing is clear and sharp.



Note: The close focus optical system allows you to focus on a subject as close as 10 inches in front of you.

CLEANING AND CARE

1. Blow away any dust or debris on the lens (or use a soft lens brush).
2. To remove dirt, grease, or fingerprints, clean with a soft microfiber cloth rubbing in a circular motion. Use of a coarse cloth may scratch the lens surface and eventually cause permanent damage.
3. For more thorough cleaning, photographic lens cleaning fluid may be used. Always apply the fluid to the cleaning cloth, never directly on the lens.
4. Never attempt to clean your monocular internally or try to take it apart. This may cause the internal optical components of your monocular to become misaligned.

WARNING

Do not view the sun with this monocular. Viewing the sun can cause permanent eye damage.

Customer Service:

If you experience any difficulties, please contact us and we will be happy to help you.



✉ info@carson.com



✉ uksupport@carson.com



✉ eusupport@carson.com

For warranty information, visit www.carson.com/warranty

www.carson.com

Carson Optical 2070 5th Avenue, Ronkonkoma, NY 11779 | Tel: 631-963-5000