

ATHLON
RIDICULOUSLY GOOD OPTICS

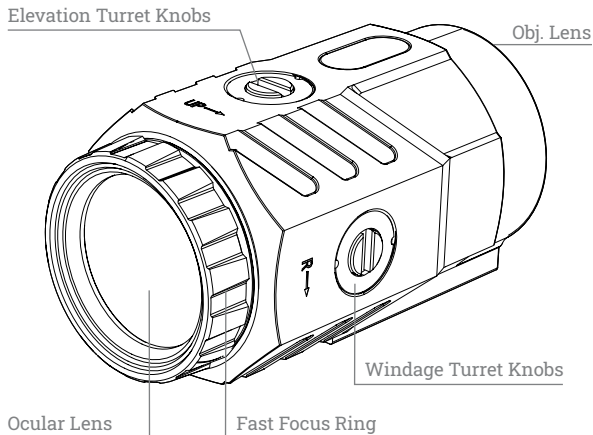
MIDAS M3 & M5



MAGNIFIER
USER MANUAL
& COMPATIBILITY

TABLE OF CONTENT-

1. Mounting the Magnifier
 - a) Eye Relief
 - b) Setting Windage and Elevation
 - c) Magnification
 - d) Focusing
 - e) Mounting to picatinny rail
 - f) Adjusting tension
2. Maintaining the Magnifier
3. Troubleshooting



Congratulations on purchasing an Athlon Rifle Scope. Athlon is the ancient Greek word for "Prize" or "Medal." We think that with the purchase of your Athlon product you have won the best "prize" on the market today. Great Quality while still being a great value.

1. MOUNTING YOUR ATHLON RIFLESCOPE

CAUTION: BEFORE MOUNTING A SIGHTING DEVICE BE SURE THAT THE FIREARM IS NOT LOADED, HAS ACTION OPEN AND THE MUZZLE POINTING IN A SAFE DIRECTION. SAFE FIREARM HANDLING PROCEDURES NEED TO BE PRACTICED AT ALL TIMES.

To achieve the best performance from your firearm and your Athlon Magnifier, your magnifier must be mounted properly. If you are unfamiliar with proper procedures to mount a sighting device, we highly recommend having the magnifier mounted by a qualified gunsmith.

Your Athlon Magnifier comes with a quick release flip mount that works with most of standard picatinny rails. After you mounted your red dot sight you can simply mount the magnifier right behind your red dot. When you need the magnification just flip the magnifier to left side and put it in alignment with your red dot sights or prism scopes. Transitioning to shorter distances and don't need the added magnification? You can just flip it to right side off the center top of your rifle (Illustration 1.).

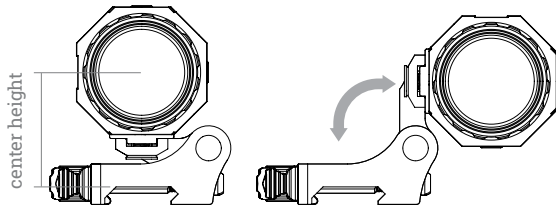


Illustration 1.

Please refer to the below table for the center height of the magnifiers.

MAGNIFIER MODEL	CENTER HEIGHT
Midas M3	1.39"
Midas M5	1.39"

* Flip mount comes with your magnifier as standard package.

a) Eye Relief

Midas M3 model has 2.7 inches, and Midas M5 has 2.5 inches eye relief.

b) Setting Windage and Elevation

Athlon Magnifiers have recessed windage and elevation adjustments (Illustration 2.). After you mounted your magnifier behind the primary sight, you can adjust the windage and elevation by using the included tool or a coin while looking through the magnifier until the red dot is centered in the field of view.

c) Magnification

Athlon Midas M3 magnifier has 3x magnification and Athlon Midas M5 magnifier has 5x magnification.

d) Focusing

Athlon Magnifier has a fast focus ring at the end of eye piece (Illustration 2.). Just twist the fast focus ring to the point where you can see the reticle of your primary sight clearly.

Elevation Turret Knobs

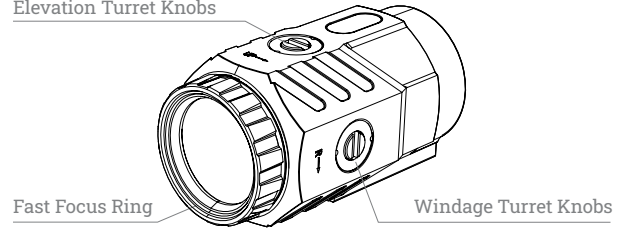


Illustration 2.

e) Mounting to picatinny rail

Push the button back on the throw lever and pivot the throw lever forward into the open position (Illustration 3.). Place the magnifier on the picatinny rail in a position that provides proper eye relief. The magnifier should be placed between your eye and the primary sighting optic. Once in place flip the throw lever back into the closed position.

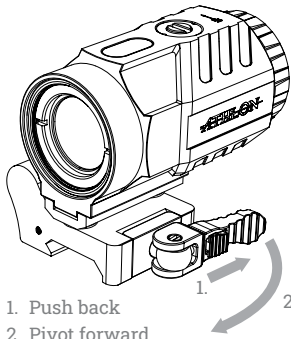


Illustration 3.

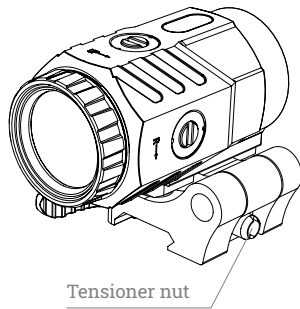


Illustration 4.

f) Adjusting tension

If the throw lever applies too much tension to close, or not enough tension to securely hold the magnifier, you can easily adjust this using the tensioner nut (Illustration 4.). With the throw lever in the open position adjust, use the included tool to tighten or loosen the nut in small increments. Pivot the throw lever back to the closed position intermittently to check the tension. The throw lever should be snug locking into the closed position, without using excessive force.

2. MAINTAINING YOUR MAGNIFIER

Disassembling or cleaning the scope internally will void the warranty. If the scope requires repairs, please refer to the warranty section for complete instructions.

The external optical surfaces should occasionally be wiped clean. Use the lens cloth provided or an optical quality lens

paper to wipe out dust or dirt on the external lens surface. If large sand particles or heavy dirt contamination is observed, remove using soft brush or by blowing them away. Apply lens cleaning liquid before wiping off. Always keep the protective lens covers in place when the scope is not in use to avoid dust collecting on the surface of the lenses. Store the unit in a low-humidity environment.

4. TROUBLESHOOTING TIPS - INACCURACY ISSUES

1. Check scope mounting and make sure there is no movement when pulling the scope by hands. Tighten the mounts if there is any movement observed.
2. Use a bench rest or sandbag to support the stock when making windage and elevation adjustments. This will help eliminate movement.
3. It is recommended using the same type of ammunition with same weight.
4. Check your rifle stock, as a loose stock changes the point of impact.
5. Make sure your rifle chamber and barrel are clean
6. Make sure rifling of the barrel is not damaged and no excessive grease inside the barrel
7. For any technical related questions, please contact Athlon Optics at contact@athlonoptics.com or call toll free 1-855-913-5678

**SHARP, TIGHT
AND PRICED
JUST RIGHT!**

Toll free: 1-855-913-5678

contact@athlonoptics.com

801 N MEADOWBROOK DR,
OLATHE, KS 66062

ATHLONOPTICS.COM